

Saeco SUP 021 YNR
INTERNATIONAL GROUP

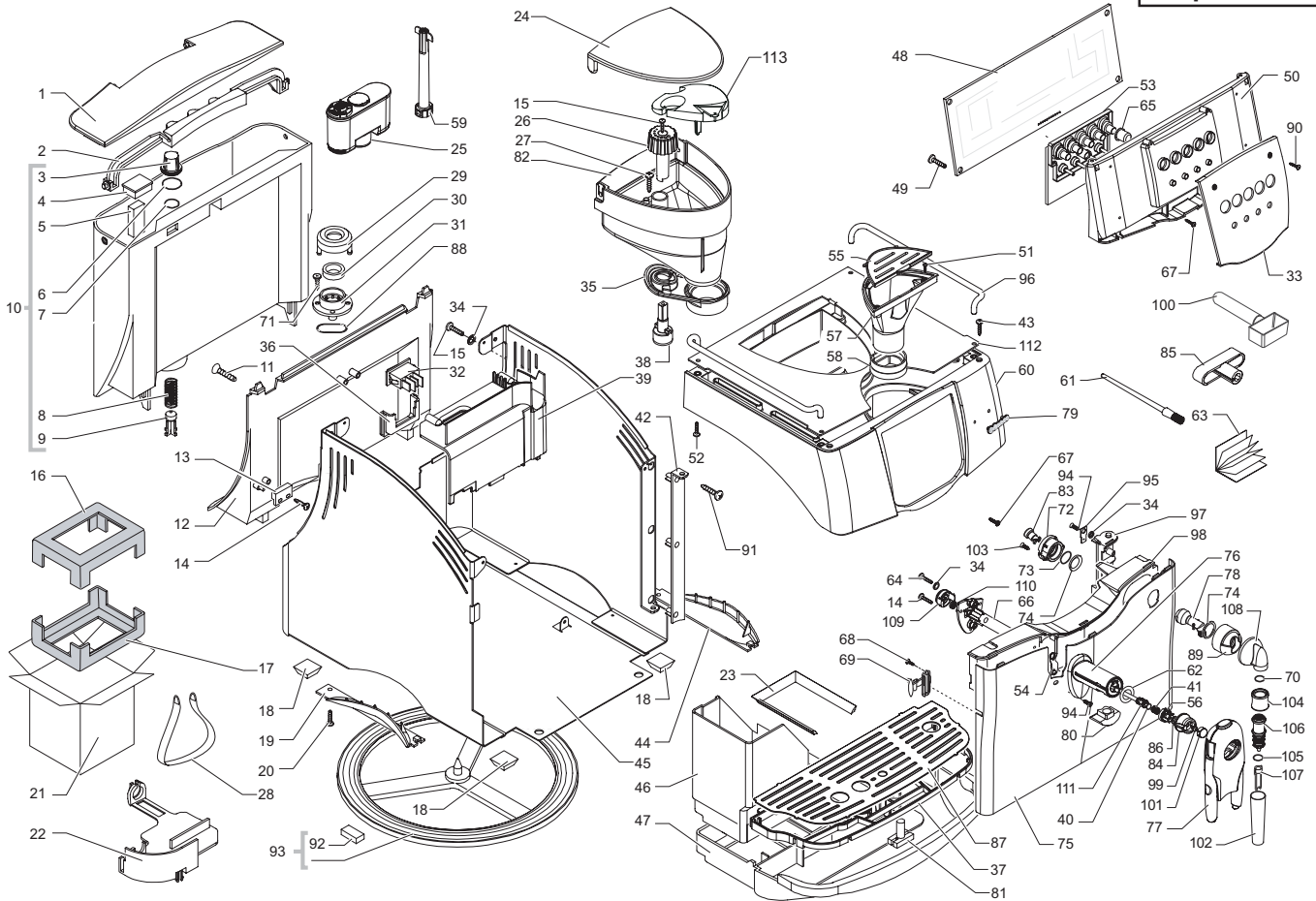


Cod. 7 4 08 27 - 28
Cod. 1000050

POS	CODE	DESCRIPTION	NOTE
01	142816500	WATER CONTAINER LID SMART NATURAL/GREY	(USA)
02	146580950	BLACK KNOB WATER CONTAINER LID SMART	
03	144650800	WATER TANK FILTER	
04	142844380	CAP FOR FLOATING SPACE TRANSP/GREY	
05	9161.112.150	LEVEL FLOAT GREY	
06	140328461	EPDM OR METRIC 0019-10	
07	140324362	OR METRIC 0060-30 IN SILICONE	
08	126764718	SPRING FOR WATER CONTAINER VALVE	
09	147660562	GREY PISTON FOR WATER VALVE	
10	222693500	WATER CONTAINER AS.SMART NATUR/GREY	
11	129511903	SCREW TCB 2,9X6,4 DIN 7981 BZ NICK	
12	149194650	SUPPORT WATER CONTAINER W/O LAMP HOUSING	
13	149194618	SUPPORT WATER CONTAINER W/O LAMP HOUSING	
13	283551900	2 POLE LEVEL SENSOR AS.SMART	(USA)
13	283551955	2 POLE LEVEL SENSOR AS.SMART	230V (USA)
14	129910921	HI-LO TC SCREW 3X10 STEEL	
15	129661204	SCREW PANELVIT TCB 3X16 DIN7505 BRU	
16	175898600	UPPER TECHMATE INSERT FOR BOX SMART1	
17	175897300	LOWER TECHMATE INSERT FOR BOX SMART	
18	147623150	SQUARE ADHESIVE FOOT 5023 BLACK	
19	225920225	HANGRIP SX SMART SILVER A2	
19	225920208	HANGRIP SX SMART CHROMED	
20	129511803	SCREW TCB 2,9X6,4 DIN 7981 NICK	
21	178517600	DISPLAY BOX SAECO INCANTO S-CLASS	(USA)
22	13000050	DISPLAY BOX SAECO INCANTO S-CLASS USA	
22	148601650	GROMMET FOR POWER CABLE SMART	
23	229170450	SEALING SUPPORT AS.WATER DRIP TRAY	
24	142815800	BEAN COFF.CONT.LID SMART NATUR/GREY	
25	223070200	CONFECTION SAECO AQUA PRIMA	
26	227721800	GRIND.ADJUST.NATGREY KNOB SMART S/S	
27	U142.005	PANELVIT TSP 4.5X16 DIN 7505 A GAL	
28	179990300	BAND FOR LIFTING L=1550 H=300 MM	
29	0701.031.150	SEAL COVER GREY	
30	145842900	WATER CONTAIN.VALVE SEAL GACO DIM14	
31	0701.014.150	SEAL CONTAINER GREY	
32	NE03.038	BIPOLAR SWITCH FUSIT C1250AR	
33	224890725	FRONT.PANEL SMART CLASSIC SILVER A2	
33	224890750	FRONT.PANEL SMART CLASSIC BLACK	
34	128310321	WASHER UNI 8842 A3 SS	
35	145854760	BEAN COFFEE CONTAINER SEAL SMART	
36	149202550	SWITCH GENERAL SUPPORT BLACK SMART	

POS	CODE	DESCRIPTION	NOTE
37	229183725	SILVER A2 SUPPORT GRATE METAL SMART	
37	229183750	BLACK SUPPORT GRATE METAL SMART	
38	145897300	INSERT GRINDING ADJUSTM.KNOB SMART	
39	147755800	INT.CASING PROTECTION POWER CABLE	
40	140326661	OR METRIC 0040-20 IN EPDM	
41	126772518	SPRING FOR CREAM ADJUSTMENT SHAFT	
42	226481425	DOOR HINGE KIT SMART SILVER A2	
42	222630525	DOOR HINGE SMART SILVER A2	
42	226481450	DOOR HINGE KIT SMART BLACK	
42	222630550	DOOR HINGE SMART BLACK	
43	U143.018	screw TORX TCB 3,5X16 F TIP BL	
44	225920125	HANGRIP DX SMART SILVER A2	
44	225920108	HANGRIP DX SMART CHROMED	
45	222360439	CASING WITH KNOB SMART SILVER	
45	222360450	CASING WITH KNOB SMART BLACK	
46	142602299	DUMP BOX BLACK UNPAINTED SMART	
47	229630825	SILVER A2 DRIP TRAY SMART	
47	229630850	BLACK DRIP TRAY SMART	
48	11002810	ELECTRONIC BOARD SMART SUP021YNR/V1	230V
48	181556700	TOUCH PANEL ELEC.BOARD SMART 021YNR	120V
49	129661302	PANELVIT TCB SCREW 3X8 DIN 7505 ZNP	
50	149202900	SUPPORT ELECTR.CARD SMART UNPAINTED	
50	149202950	SUPPORT ELECTRONIC CARD SMART BLACK	
50	11000477	SUPPORT ELECTR.CARD SMART/UL SILVER	(USA)
51	129533202	SCREW TSPTORX T10 3,5X9,5 D7982 NI	
52	U046.003	screw TCBC M4,0X12 INDENT. WASH.8	
53	281565200	TOUCH PANEL ELECTRON.BOARD AS.SMART	
54	127535820	PLATE FOR DOOR METALLIC SMART	
55	222802400	GROUND COFF.CONT.LID CLASSIC NATGREY	
56	149198700	SUPPORT CREAM ADJUSTMENT SHAFT	
57	149261500	HOPPER GROUND COFFEE DOSER SMART	
58	145854360	GROUND COFFEE CONT.SEAL UPPER SMART1	
59	145902250	INSERT FOR DECALIFYING FILTER	
60	222813725	COVER SMART SILVER S/SCREEN CLASSIC	
60	222813750	COVER SMART BLACK S/SCREEN CLASSIC	
60	11000500	COVER SMART/UL SILVER S/SCREEN CLASSIC	(USA)
60	222847825	COVER SMART SILVER/230V S/SCREEN CLASSIC	COMPLETE
60	222847850	COVER SMART BLACK/230V S/SCREEN CLASSIC	COMPLETE
60	11000300	COVER SMART/UL SILVER/120V S/SCR.CLASSIC	(USA) COMPLETE
61	127390100	BRUSH FOR CLEANING	
62	148380800	MYLAR WASHER DE=19 DI=12 SP=0,2	
63	165897400	INSTRUCT.MANUAL SAECO TYPE SUP021YNR	7 LANGUAGES

Saeco SUP 021 YNR
INTERNATIONAL GROUP



Saeco SUP 021 YNR
INTERNATIONAL GROUP



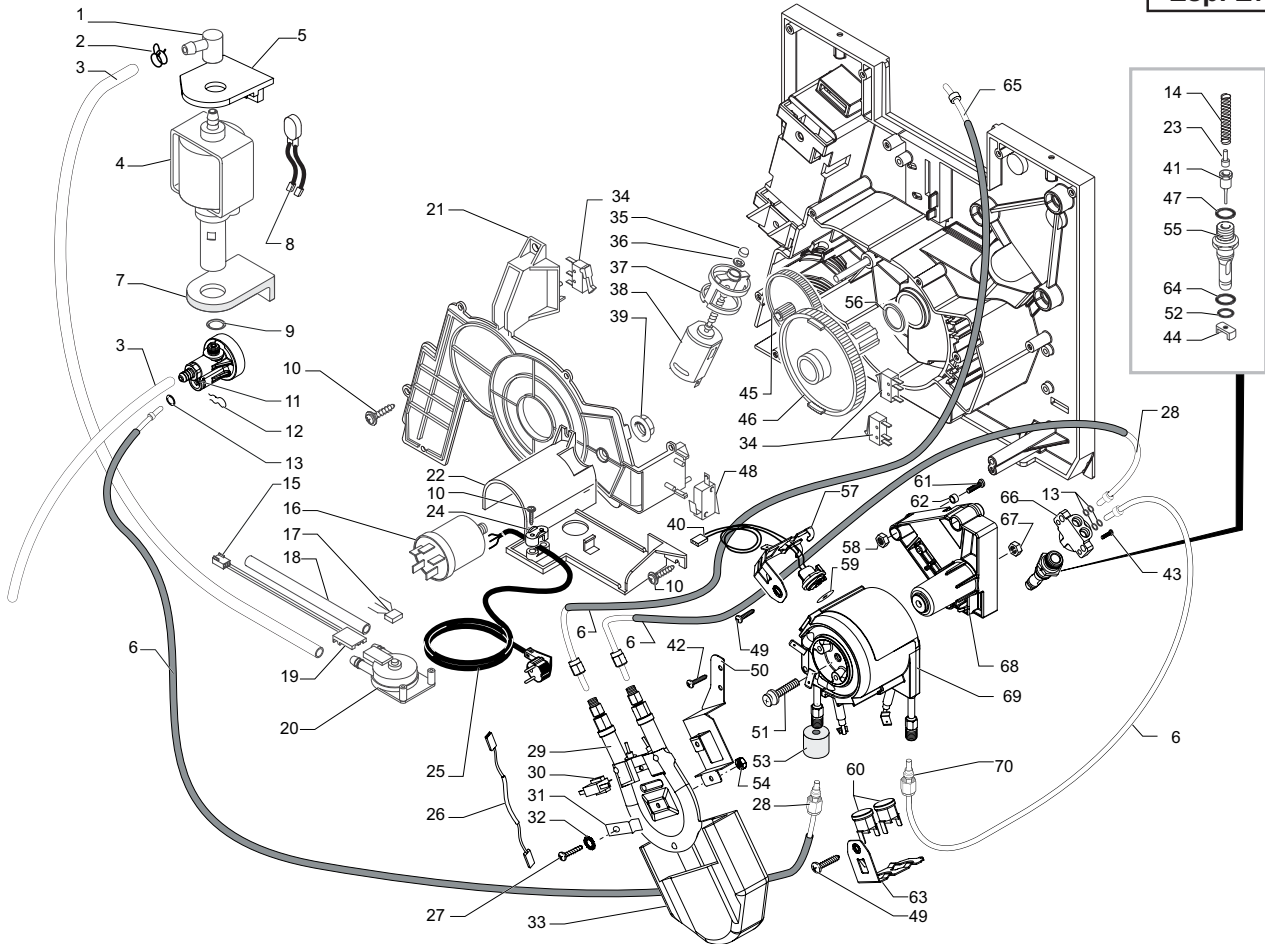
Cod. 7 4 08 27 - 28
Cod. 1000050

POS	CODE	DESCRIPTION	NOTE	POS	CODE	DESCRIPTION	NOTE
	165897427	INSTRUC.MANUAL SAECO TYPE SUP021YNR		98	229183125	SUPPORT DOOR METALL.SMART SILVER A2	
	15000069	INSTRUC.MANUAL SAECO TYPE SUP021YNR			229183150	SUPPORT DOOR METALLIC SMART BLACK	
64	U109.005	screw AUT.TCB 3,5X16 DIN 7981 C	D/F/I	99	129512503	SCREW TCB 2,9X9,5 DIN 7981 NICK	
65	229141108	BUTTON SMART CLASSIC ASSEMBLED	GB/I/E	100	146680850	BLACK COFFEE MEASURE SMART	
66	149501350	COFFEE DISPENSER TUBE FOR ADJUST.SHAFT		101	229200250	BLACK CAP FOR KNOB CREAM ADJUSTMENT	
67	129660902	PANELVIT TCB SCREW 3,5X12 D.7505 Z		102	122842121	EXTERNAL COVER ST.STEEL PANNAR.G100	
68	129670302	PANE.TCB SCREW 2,9X9,5 TES.D=7,5 ZN		103	129571521	SCREW TCB PH/SW 3X18 UNI 8112 INOX	
69	146313740	DISENGAGE LEVER GREY/SILVER DOOR SMART		104	147757050	STEAM TUBE PROTECTION	
70	140324461	OR METRIC 0060-20 IN TERMOIL		105	140320762	OR 108 IN SILICONE	
71	129535721	SCREW TSP3,5X9,5 DIN 7982 SS		106	222270249	UPPER TUBE ASS.FOR PANNARELLO	
72	149200450	SUPPORT FOR ARTICULATED JOINT		107	142271350	BLACK INTERN.INP.TUBE PANNARELLO.G100	
73	140329162	OR 117 IN SILICONE 70 SH		108	228660304	CONNECTOR FOR STEAM TUBE	
74	148620900	SEMISPHERE SEAL FOR ARTICULAT.JOINT		109	149213450	CAP FOR COFFEE DISPENSER TUBE	
75	228982925	DOOR METALL SMART SILVER A2		110	145853260	GACO SEAL FOR COFFEE DISPENSER TUBE	
	228982950	DOOR METALL SMART BLACK		111	140640200	CREAM ADJUSTMENT SHAFT	
76	229184704	COFFEE DISPENSER SUPPORT WITH HOLE		112	282800840	CUP WARMING LID SMART SSTEEL-SB/230V	
77	223701025	SILVER/A2 COFFEE DISPENSER AS.SMART		113	147757800	BEAN CONT.PROTECT.SMART NATUR/GREY	
	223701050	BLACK COFFEE DISPENSER AS.SMART					
78	147922249	CONNECTOR FOR ARTICULATED JOINT					
79	127573900	PLATE WITH LOGO SAECO SMART DIAMOND					
80	145854962	SEAL FOR COFFEE DISPENSER V2 SMART					
81	145501211	RED FLOAT FOR DRIP TRAY SMART					
82	142714100	NATURAL/GREY BEAN CONTAINER SMART					
83	145896949	RETAINING INSERT TEFLON TUBE					
84	227701104	CREAM ADJUSTM.KNOB GLOSS CHR.PLATED					
85	142660259	GREY PHASE KEY COFFEE BREW UNIT MAGIC					
86	U207.003	PLAIN WASHER 3,2X7 UNI 6592 GAL					
87	125743421	STAINLESS STEEL GRATE SMART					
88	0312.022	SEAL FOR VALVE CONTAINER					
89	228660204	CONNECTOR FOR STEAM TUBE					
90	129912202	SCREW TCB TORX T10 3X12 UNI 9786 ZN					
91	129740202	SCREW TSP PH/TT 4X10 UNI 8113 ZNP	WITH DOOR HINGE V2				
	129511921	SCREW TCB 2,9X6,4 DIN 7981 BZ SS	WITH DOOR HINGE V3 + KIT				
		UP TO S/N 9005SA40022836					
		FROM S/N 9005SA40022837					
92	147623650	SQUARE ADHESIVE FOOT NB4256 BLACK					
93	220380259	ROTATING RING SMART WITH 3 FEET	WITH PART. N°92				
94	129562603	SCREW TSC PZ-B 2,9X9,5 UNI 6956 NI					
95	186401000	FLAT TABS 6,3 D=4,5 0010364200					
96	227751808	CUPS PROTECTION SMART/DIG.CHROMED					
97	229183525	SUPP.HINGE DOOR METAL.SMART SILV.A2					
	229183550	SUPP.HINGE DOOR METAL.SMART BLACK					

Saeco SUP 021 YNR
INTERNATIONAL GROUP

Rev. 05 - 28/02/06

TAVOLA 1b/3

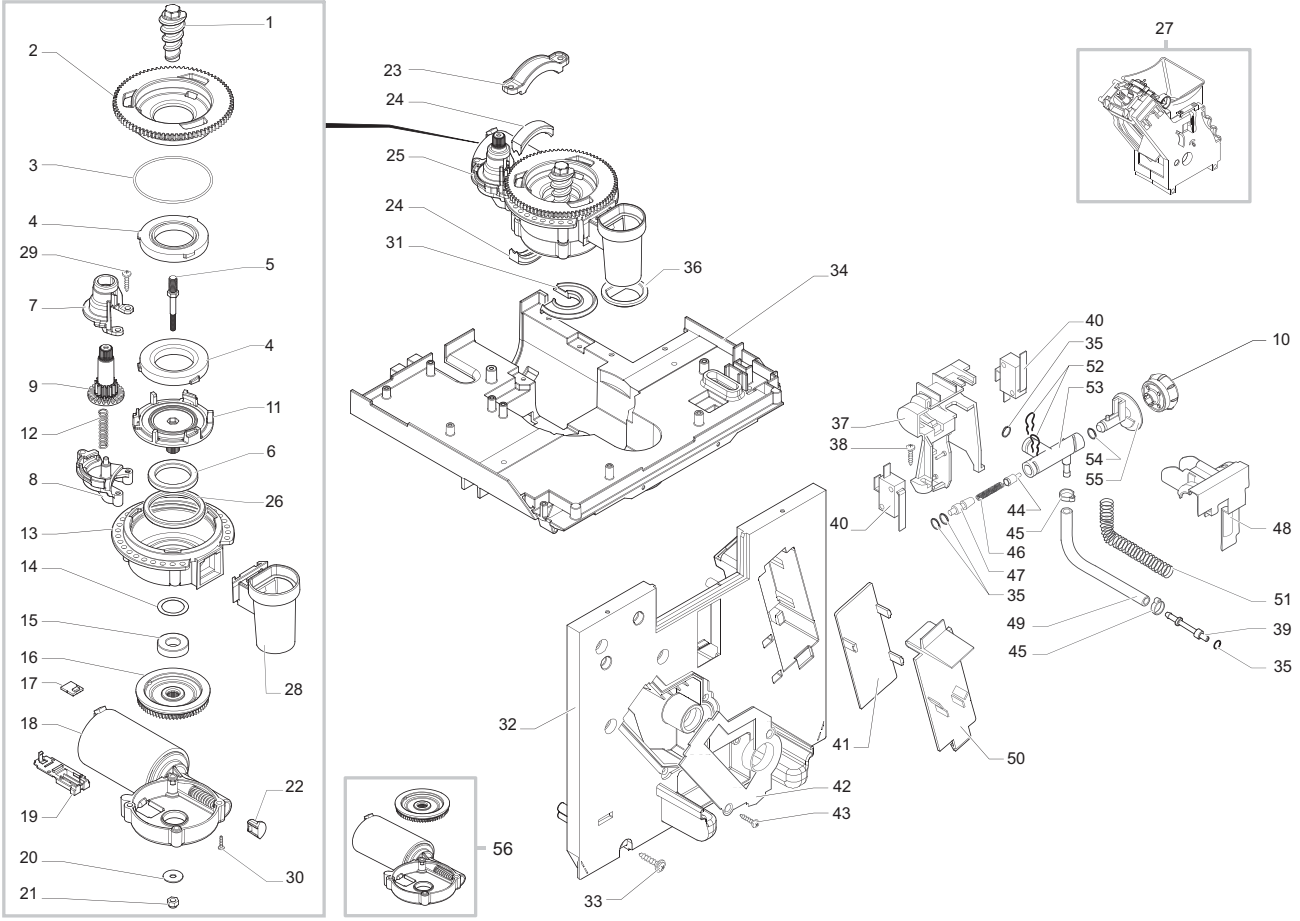


Saeco SUP 021 YNR
INTERNATIONAL GROUP



Cod. 7 4 08 27 - 28
Cod. 1000050

POS	CODE	DESCRIPTION	NOTE	POS	CODE	DESCRIPTION	NOTE
01	147920150	90° CONNECTOR PUMP INLET		38	286892558	GENER.ASS.MOTOR FOR RATIOMOTOR	230V
02	184320200	SPRING HOSE CLAMP D=9,5MM			286892555	GENER.ASS.MOTOR FOR RATIOMOTOR	120V
03	149360200	SILICONE TUBE 5X8 70SR	IN ROLL	39	123453602	FLANGE NUT M8 TOOTHED BASE GALV.	
04	12000140	ULKA PUMP EP5/S GW	230V-50HZ	40	288582300	SENSOR ELECT.BOARD WITH CONNECTOR	
	12000131	ULKA PUMP EP5/S	120V-60HZ	41	227660103	BRASS PISTON L=20.9 ASSY.	
05	149205710	PUMP SUPPORT HOLE 13,2 RED		42	129573402	SCREW TAPT M4X10 DIN 7985 GALV	
06	149361200	BLACK SILICON TUBE 7,5X9,3	IN ROLL	43	129910103	HI-LO TC SCREW 3,5X15 RIF.910189	
07	149185850	EATON PUMP SUPPORT MAGIC 4002012		44	9011.099	CURSOR FOR BOILER VALVE IN PLASTIC	
08	0311.807	YELLOW HARNESS KLIXON JP 13	230V	45	9121.042	GEAR Z.12/90	
	289201000	THERMAL. PROTECT 120°C CABLE.125/3	120V	46	9121.069.150	GEAR Z.108 FOR MOUNTING PLATE M4000	
09	140321961	OR 2031 IN TERMOIL		47	140320459	OR METRICO 0080-20 SILICON.PTFE/FDA	
10	129670202	PANE. TCB SCREW 3,5X16 TESTA D=8 Z		48	186723800	MICROSWITCH SAIA X3M502K2KAM92AS	
11	229452100	COMPENSATION AND SAFETY VALVE ASSY		49	129573202	SCREW TCB PH/TT 4X8 UNI 8112 ZNP	
12	9011.144	FORK FOR TUBE D.4		50	129025002	BRACKET BOILER SMART SUPPORT	
13	140328059	OR 2015 IN SILICONE PTFE/FDA		51	129932202	ROUND HEAD SCREW 10.9 M5X20 GALV	
14	9011.132	SPRING FOR PIN		52	NM01.057	OR ORM 0050-20 SILICONE	
15	283551300	3POLE CONNECT.AS.TURBINE JP18 SMART		53	147756562	PROTECTION FOR FOLK SPRING TUBE D=4	
16	184651100	ANTIDISTURB FILTER 0,47X2+1000Y2+0,5L		54	U302.003	NUT HEXAGONAL M4 UNI 5588	
	184651500	ANTIDISTURB FILTER 16A FNC 1610474472A		55	9011.100	PEG FOR VALVE IN PLASTIC	
17		PARTICULAR NOT AVAILABLE	SEE PART. N°20	56	9161.132	MYLAR WASHER FOR RATIOMOTOR	
18	JS01.022	SILICONE TUBE 5X10 60 SHORE	IN ROLL	57	126838217	SENSOR FIXING SPRING	
19	9161.018	FORK FOR WATERWHEEL		58	U310.003	NUT SELF LOCK.M5 UNI 7473	UP TO S/N 9005SA40230571
20	286473300	-M-VDE TURBINE WITH SENSOR KIT	WITH PART. N°17	59	145951600	ELECTRIC INSULATING DISK D=16	
21	9161.331.920	RATIOMOTOR COVER TRANSPARENT		60	189428200	THERMOSTAT 175° 1NT-08L-3794	
22	149194800	TURBINE SUPPORT SMART			189428600	THERMOSTAT 175° 1NT-08L-5125	
23	227480203	BRASS/NIK.PIN FOR PISTON L=20,9		61	U044.020	SCREW TSP M5,0X30 UNI 7688 GALV.	UP TO S/N 9005SA40230571
24	148600600	CABLE CLAMP V0 MAGIC ESP COMBI UL			129932502	SELF DRILLING SCREW 5X30 GALVANIZED	FROM S/N 9005SA40230572
25	183911550	POWER CABLE SCHUKO BLACK L=1500		62	9161.206	INSULATING SPACER FOR BOILER	
	183930850	BLACK POWER CABLE CH H05+3FAS.L=1500MM		63	126838117	2 THERMOSTATS FIXING SPRING	
	183940950	BLACK POWER CABLE AUST.H05+3FAS.L=1500		64	NM01.035	OR ORM 0090-20 SILICONE	
26	183440800	CABLE 1 WIRE SILIC.BLACK THERM/FUSE 229°		65	227875400	CONNECTOR AS.TEFLON 2X4 L=330 MM	
	11000312	CABLE 1WIRE SILICON.BLACK AWG16+TH/FUSE		66	227900303	BRASS/NIK.CONNEC.FOR BOILER SUPPORT	
27	129823802	TCB SCREW M4X8 UNI 7687 ZNP		67	123453902	SELF-LOCKI.NUT M5X0,8 DIN 980 CLA.8	
28	227874900	CONNECTOR AS.TEFLON 2X4 L=250 MM		68	20000204	SPARES KIT SUPPORT BOILER SMART	UP TO S/N 9005SA40230571
29	288140458	HEATING-ELEMENT BLECKMAN ASSY. 1000W	230V		149197700	SUPPORT FOR ALLUMINIUM BOILER SMART	FROM S/N 9005SA40230572
	288140455	HEATING-ELEMENT BLECKMAN ASSY. 1000W	120V	69	282058858	ALUM.BOILER AS.WITH RESISTANCE	230V
30	189428300	THERMOSTAT 175° INTERCONTR.161471002			282058855	ALUM.BOILER AS.WITH RESISTANCE	120V
31	127535319	THERMAL FUSE FIXING PLATE		70	227876800	CONNECTOR AS.TEFLON 2X4 L=235 MM	
32	128310404	WASHER UNI 8842 A4 BURNISHED			282135555	ALUM.BOILER 120V AS.WITH RESISTANCE	COMPLETE
33	147755900	HEAT.ELEMENT PROTECTION BLECKMANN SMART			282135558	ALUM.BOILER 230V AS.WITH RESISTANCE	COMPLETE
34	NE05.038	MICROSWITCH				WITH PART. N°13-14-23-28-40-41-43-44-47-49-51-52	
35	9121.046	SINTERED BUSH FOR MOTOR				53-55-57-58-59-60-63-64-66-67-68-69-70	
36	148380200	WASHER BAKELIZZATE D=5,5					
37	9121.044	ANTIVIBRATION FOR MGOTOR					



Saeco SUP 021 YNR
INTERNATIONAL GROUP



Cod. 7 4 08 27 - 28
Cod. 1000050

POS	CODE	DESCRIPTION	NOTE	POS	CODE	DESCRIPTION	NOTE
01	9141.001	SCREW OF INCREMENT		31	145854662	COFEGRIND.MOTOR ANTIVIBR.SEAL SMART	
02	149198250	UPPER GRINDER SUPPORT COFFEEGRINDER		32	227533000	ASSEMBLY BOILER SUPPORT PLATE SMART	
03	140328960	NBR FDA OR METRIC 0530-15		33	129670202	PANE. TCB SCREW 3,5X16 TESTA D=8 Z	
04	146520100	BAKED CLAY KLAGER GRINDER 48X28		34	147532300	BLACK GRINDER SUPPORT PLATE SMART	
05	127473603	PIN M4-M6 NICK.FOR INCREMENT SCREW			11000467	BLACK GRINDER SUPPORT PLATE SMART/UL	(USA)
06	123030300	AXIAL BEARING EKKO 342.35252		35	140328059	OR 2015 IN SILICONE PTFE/FDA	
07	149199750	UPPER GEAR SUPPORT COFFEEGRINDER SMART		36	145854462	GROUND COFFEE CONT.SEAL LOWER SMART1	
08	149199850	LOWER GEAR SUPPORT COFFEEGRINDER SMART		37	149194500	FAUCET SUPPORT SMART	
09	146002150	COFFEE GRINDING ADJUSTMENT GEAR SMART		38	129660902	PANELVIT TCB SCREW 3,5X12 D.7505 Z	
10	227710904	STEAM KNOB ZAMAS CHROM.PLATED SMART		39	227961303	STRAIGHT CONNECTOR	
11	149198350	LOWER GRINDER SUPPORT COFFEEGRINDER		40	186724200	MICROSWITCH SAIA X3M502K2KAJ32AV	
12	126772918	SPRING FOR ADJUSTMENT GRINDING GEAR		41	9161.345.050	INT.COVERING BLACK PUMP SPACE	
13	142905450	UPPER BODY WITH COFFE.GROUND OUTLET		42	9161.333.050	BOILER BLACK COVER	
14	128381800	CRINKLE WASHER 21,8X15,8X0,2		43	129535721	SCREW TSP3,5X9,5 DIN 7982 SS	
15	123030200	RADIAL BEARING 61900.2RS1		44	227660303	BRASS PISTON L=15,1 ASSY.	
16		PARTICULAR NOT AVAILABLE	SEE PART. N°56	45	NF11.052	OETIKER CLIP	
	226000300	GEAR SX Z=38 ASS.FOR GRINDER MOTION		46	126765317	STEEL SPRING BOIL. PISTON MAG.9011	
		FROM S/N 9005SA40371063		47	229190503	CAP FOR FAUCET NESPRESSO BRASS/NIK.	
17	181554200	ELECTRONIC BOARD WITH SENSOR HAL506 SF-K		48	147756400	PROTECTION FAUCET BODY WATER/STEAM	
18		PARTICULAR NOT AVAILABLE	SEE PART. N°56	49	JS01.019	SILIC. TUBE FABRIC FINISH 3X7	IN ROLL
	286852058	MOTOR COFFEEGRINDER/V3 ASS.	230V	50	9161.332.050	EXT.COVERING BLACK PUMP SPACE	
		FROM S/N 9005SA40371063 - ONLY 230V		51	126772018	SPRING DI=7,5 FOR FABRIC FINISH TUB	
	11003243	MOTOR COFFEEGRINDER/V3 ASS.	120V (USA)	52	9011.144	FORK FOR TUBE D.4	
		FROM S/N 9005SA40371063 - ONLY 120V		53	148440150	FAUCET BODY MOD.	
19	149199050	SENSOR SUPPORT FOR COFF.GRIND.MOTOR		54	140328561	OR D=4,18 X 1,90 IN TERMOIL	
20	128381902	FLAT WASH.DI=4,3 DE=14 SP=1,5 GALV.		55	140640300	FAUCET SHAFT FOR SMART	
21	123453102	SELF LOCK NUT M4 DIN 982 HIGH GALV.		56	20000202	SPARES KIT MOTOR COFFEEGRINDER/V3 230V	WITH PART. N°16 - 18
22	149214800	CAP FOR WORM SCREW MC/V3 CENTRING			20000410	UP TO S/N 9005SA40371062 - ONLY 230V	
23	144752300	DEADLOCK MOTOR FLANGE SMART1				SPARES KIT MOTOR COFFEEGRINDER/V3 230V	WITH PART. N°16 - 18
24	145854562	COFFEEGRIND.MOTOR SUPPORT SEAL SMART1				UP TO S/N 9005SA40371062 - ONLY 120V	(USA)
25	286884958	GENERAL MOTOR MC/V3 ASSY.	230V				
	11003242	GENERAL MOTOR MC/V3 ASSY.	120V (USA)				
26	140360500	FELT RING 45,4X39,4X4					
27	225802550	BREW UNIT WITH VALVE SMART	(I)				
	225802650	BREW UNIT W/VALVE SMART/ELFO	OTHER COUNTRY				
		(SEE COD. EXP. E90041)					
28	222870250	GROUND COFFEE OUTLET CONVEYOR ASSY.					
29	129660102	PANELVIT TCB SCREW 3,5X18 D.7505 Z					
30	129661702	PANELVIT TCB SCREW 3,5X25 D.7505 ZN					

Saeco SUP 021 YNR
INTERNATIONAL GROUP