

Saeco SUP021YBDR
INTERNATIONAL GROUP



Cod.740825-26-1000112-2292

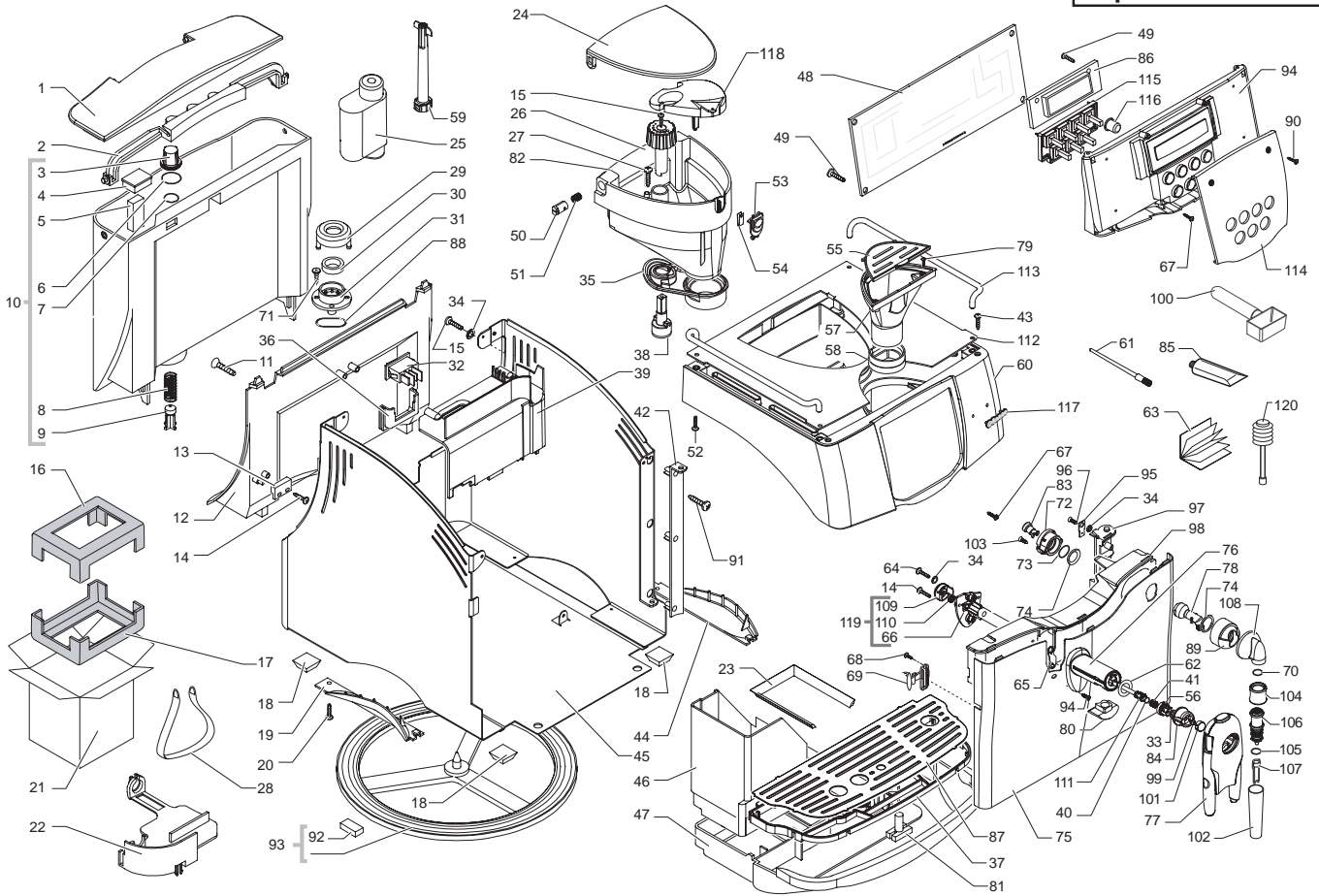
POS	CODE	DESCRIPTION	NOTE	POS	CODE	DESCRIPTION	NOTE
01	142816500	WATER CONTAINER LID SMART NAT./GREY		37	229183726	SILVER A13 SUPPORT GRATE METAL SMART	
02	146580950	BLACK KNOB WATER CONTAINER LID SMAR		38	229183750	BLACK SUPPORT GRATE METAL SMART	
03	144650800	WATER TANK FILTER		39	145897300	INSERT GRINDING ADJUSTM.KNOB SMART	
04	149214359	BLACK CAP FOR FLOATING SPACE LAV.		40	147755800	INT.CASING PROTECTION POWER CABLE	
05	9161.112.150	LEVEL FLOAT GREY		41	140326661	OR METRIC 0040-20 IN EPDM	
06	140328461	EPDM OR METRIC 0019-10		42	126772518	SPRING FOR CREAM ADJUSTMENT SHAFT	
07	140324362	OR METRIC 0060-30 IN SILICONE		43	226481426	DOOR HINGE KIT SMART SILVER A13	
08	126764718	SPRING FOR WATER CONTAINER VALVE			222630526	DOOR HINGE SMART SILVER A13	
09	147660562	GREY PISTON FOR WATER VALVE			226481450	DOOR HINGE KIT SMART BLACK	
10	222693500	WATER CONTAINER AS.SMART NATUR/GREY			222630550	DOOR HINGE SMART BLACK	
11	12000381	SCREW TSP PZ2/TT M3X8 UNI 8109 ZINC			222630550	DOOR HINGE SMART BLACK	
12	149194650	SUPPORT WATER CONT. W/O LAMP HOUSING		43	U143.018	SCREW TORX TCB 3,5X16 F TIP BL	
	149194618	SUPPORT WATER CONT. W/O LAMP HOUSING	KOREA	44	225920126	HANGRIP DX SMART SILVER A13	
13	283551900	2 POLE LEVEL SENSOR AS.SMART	230V	45	225920108	HANGRIP DX SMART CHROMED	
	283551955	2 POLE LEVEL SENSOR AS.SMART	120V	46	11001021	MATT SILVER CASING SMART	
14	129910921	HI-LO TC SCREW 3X10 STEEL		47	222360450	CASING WITH KNOB SMART BLACK	
15	129512504	SCREW TCB 2,9X9,5 DIN 7981 BURN		48	11005555	BLACK DUMP BOX SMART SILK/SCREEN	
16	175898600	UPPER TECHMATE INSERT FOR BOX SMART1		49	229630826	SILVER A13 DRIP TRAY SMART	
17	175897300	LOWER TECHMATE INSERT FOR BOX SMART			229630850	BLACK DRIP TRAY SMART	
18	147623150	SQUARE ADHESIVE FOOT 5023 BLACK		50	281565158	ELEC.BOARD AS.SMART SUP021YBDR	230V
19	225920226	HANGRIP SX SMART SILVER A13		51	129661302	PANELVIT TCB SCREW 3X8 DIN 7505 ZNP	
	225920208	HANGRIP SX SMART CHROMED		52	147472750	PIN FOR DEADLOCK SPRING SMART1 DIG.	
20	129511803	SCREW TCB 2,9X6,4 DIN 7981 NICK		53	126838818	SPRING FOR BEAN COFFEE CONTAINER	
21	178517600	DISPLAY BOX SAECO INCANTO S-CLASS		54	U046.003	SCREW TCBC M4,0X12 INDENT. WASH.8	
22	148601650	GROMMET FOR POWER CABLE SMART		55	149252850	OPENING BUTTON BEAN CONTAINER COFFE	
23	229170450	SEALING SUPPORT AS.WATER DRIP TRAY		56	126838918	SPRING FOR BUTTON BEAN CONTAINER COF.	
24	142816700	BEAN COFF.CONT.LID SMART NATUR/GREY		57	222802400	GROUND COF.CONT.LID CLASSIC NATGREY	
25	21000961	ACC SAE BRITA WATER FILTER 1 UNIT EUR		58	149198700	SUPPORT CREAM ADJUSTMENT SHAFT	
	21001120	ACC SAE BRITA WATER FILTER 1UNIT AMERIC.	U.S.A.	59	149261500	HOPPER GROUND COFFEE DOSER SMART	
26	227721800	GRIND.ADJUST.NATGREY KNOB SMART S/S		60	145854360	GROUND COFFEE CONT.SEAL UPPER SMART1	
27	U142.005	PANELVIT TSP 4,5X16 DIN 7505 A GAL			145902250	INSERT FOR DECALCIFYING FILTER	
28	179990300	BAND FOR LIFTING L=1550 H=300 MM			222813826	SILVER 13 COVER SMART SILK/SCREEN DLX	
29	0701.031.150	SEAL COVER GREY			222813850	BLACK COVER SMART SILK/SCREEN DELUXE	
30	145842900	WATER CONTAIN.VALVE SEAL GACO DIM14			11001861	SILVER 13 COVER SMART/UL S/SCREEN DLX	KOREA
31	0701.014.150	SEAL CONTAINER GREY			222847926	SILVER 13 COVER SMART SILK/SCREEN DLX	COMPLETE
32	NE03.038	BIPOLAR SWITCH FUSIT C1250AR			222847950	BLACK COVER SMART SIL/SCREEN DELUXE	COMPLETE
33	U207.003	PLAIN WASHER 3,2X7 UNI 6592 GAL			11001860	SILVER 13 COVER SMART/UL S/SCREEN DLX	KOREA COMPLETE
34	128310321	WASHER UNI 8842 A3 SS			11007666	AS.COP.SMART/NT UL C/AP.A13/120V SER.DLX	U.S.A. COMPLETE
35	145854760	BEAN COFFEE CONTAINER SEAL SMART					
36	149202550	SWITCH GENERAL SUPPORT BLACK SMART					

Saeco
INTERNATIONAL GROUP

INCANTO DLX

Rev.06 - 18/12/07

TAVOLA 1a/3

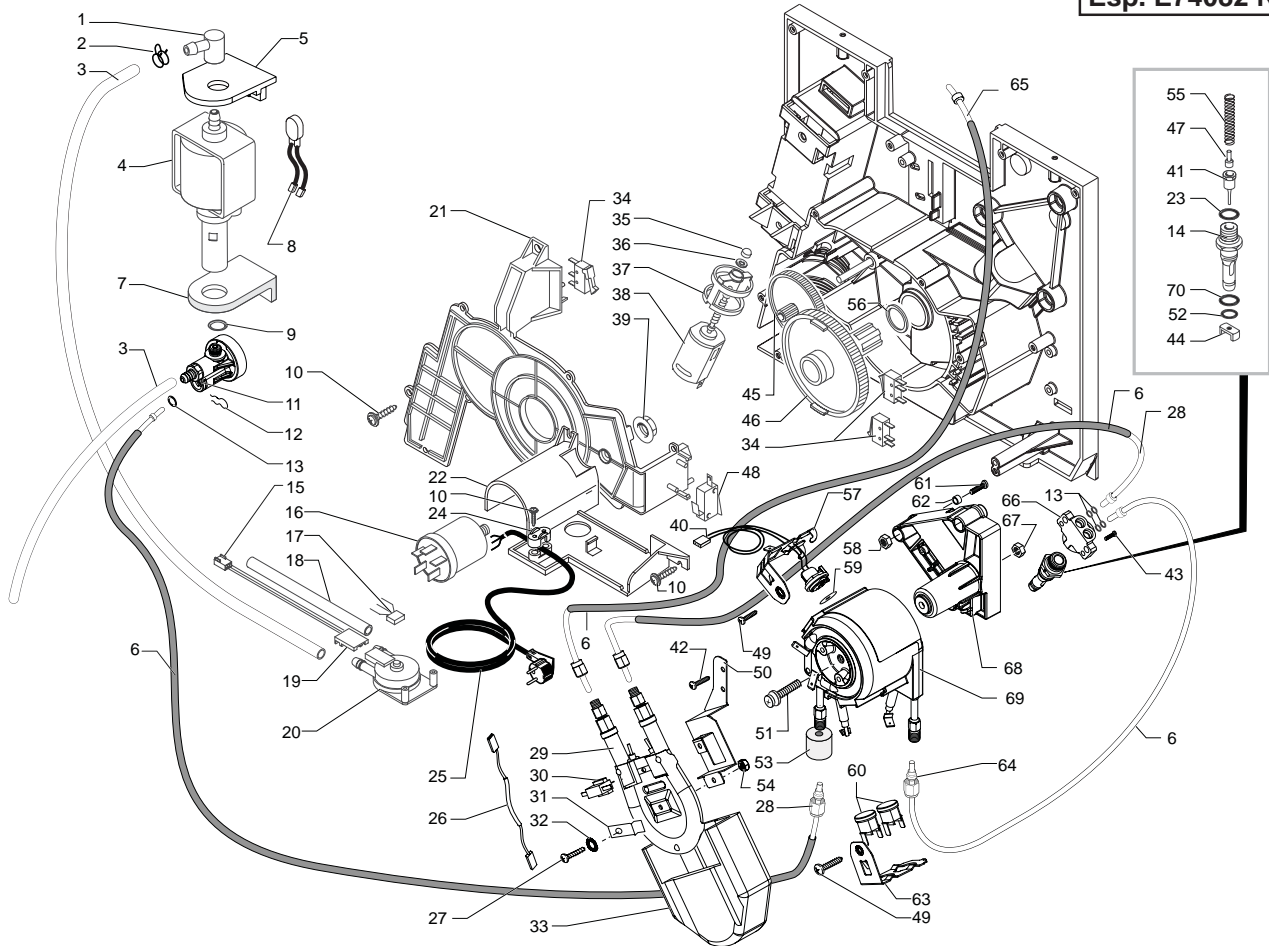


Saeco SUP021YBDR
INTERNATIONAL GROUP



Cod.740825-26-10000112-2292

POS	CODE	DESCRIPTION	NOTE	POS	CODE	DESCRIPTION	NOTE
61	127390100	BRUSH FOR CLEANING		94	229171626	SUPPORT ELEC.CARD AS.021YBDR SILVER	
62	148380800	MYLAR WASHER DE=19 DI=12 SP=0,2		229171650	SUPPORT ELECT.CARD AS.021YBDR BLACK		
63	165897300	INSTRU.MANUAL SAECO TYPE SUP021YBDR		95	186401000	FLAT TABS 6,3 D=4,5 0010364200	
	165897327	INSTRU.MANUAL SAECO TYPE SUP021YBDR		96	129562603	SCREW TSC PZ-B 2,9X9,5 UNI 6956 NI	
64	129571121	SCREW TCB PH/SW 3X14 UNI 8112 INOX		97	229183526	SUP.HINGE DOOR METAL.SMART SILV.A13	
65	127535820	PLATE FOR DOOR METALLIC SMART		229183550	SUPPOR.HINGE DOOR METAL.SMART BLACK		
66	11002322	COFF. DISPENSER TUBE FOR ADJUST.SHAFT FROM S/N 9006SA40349625		98	229183126	SUPPORT DOOR METAL.SMART SILVER A13	
67	129660902	PANELVIT TCB SCREW 3,5X12 D.7505 Z		229183150	SUPPORT DOOR METALLIC SMART BLACK		
68	129670302	PANE.TCB SCREW 2,9X9,5 TES.D=7,5 ZN		99	129512503	SCREW TCB 2,9X9,5 DIN 7981 NICK	
69	146313740	DISENGA. LEVER GREY/SILVER DOOR SMART		100	146680850	BLACK COFFEE MEASURE SMART	
70	140324461	OR METRIC 0060-20 IN TERMOIL		101	229200250	BLACK CAP FOR KNOB CREAM ADJUSTMENT	
71	129535721	SCREW TSP3,5X9,5 DIN 7982 SS		102	122842121	EXTERNAL COVER ST.STEEL PANNAR.G100	
72	149200450	SUPPORT FOR ARTICULATED JOINT		103	129571521	SCREW TCB PH/SW 3X18 UNI 8112 INOX	
73	140329162	OR 117 IN SILICONE 70 SH		104	147757050	STEAM TUBE PROTECTION	
74	148620900	SEMI SPHERE SEAL FOR ARTICULAT.JOINT		105	140320762	OR 108 IN SILICONE	
75	11001009	GLOSS/SILVER DOOR METALLIC SMART		106	222270249	UPPER TUBE ASS.FOR PANNARELLO	
	228982950	DOOR METALLIC SMART BLACK		107	142271350	BLACK INTERN.INP.TUBE PANNAREL.G100	
76	229184704	COFFEE DISPENSER SUPPORT WITH HOLE		108	228660304	CONNECTOR FOR STEAM TUBE	
77	223701026	SILVER/A13 COFFEE DISPENSER AS.SMART		109	149213450	CAP FOR COFFEE DISPENSER TUBE FROM S/N 9006SA40349625	
	223701050	BLACK COFFEE DISPENSER AS.SMART		110	11002323	CONIC SEAL FOR COFFEE DISPENSER TUBE FROM S/N 9006SA40349625	
78	147922249	CONNECTOR FOR ARTICULATED JOINT		111	140640200	CREAM ADJUSTMENT SHAFT	
79	129533202	SCREW TSP TORX T10 3,5X9,5 D7982 NI		112	282800840	CUP WARMING LID SMART SSTEEL-SB/230V	
80	145854962	SEAL FOR COFFEE DISPENSER V2 SMART		113	227751808	CUPS PROTECTION SMART/DIG.CHROMED	
81	145501211	RED FLOAT FOR DRIP TRAY SMART		114	224890626	SILVER A13 FRONT.PANEL SMART DELUXE AS.	
82	142714400	BEAN CONTAIN.NATURAL/GREY SMART DIG			224890650	BLACK FRONT.PANEL SMART DELUXE ASSY.	
83	145896949	RETAINING INSERT TEFLON TUBE		115	149253100	TOUCH PANEL 4+3 BUTTONS SMART DIGIT	
84	227701104	CREAM ADJUSTM.KNOB GLOSS CHR.PLATED		116	229141008	BUTTON SMART DELUXE CHROMIUM PLATED	
85	11005044	SAECO KLUBER TRIBOSTAR SIL 2 TUBE 5GR.		117	127573900	PLATE WITH LOGO SAECO SMART DIAMOND	
86	192200300	20x2 LCD WHITE DISPLAY FSTN		118	147757800	BEAN CONT. PROTECT. SMART NATUR/GREY	
87	125743421	STAINLESS STEEL GRATE SMART		119	20000960	SPARES KIT FOR COF. DISPENSER TUBE NEW UP TO S/N 9006SA40349624	
88	140320461	OR METRIC 0080-20 IN TERMOIL		120	147700200	POMPA DI CARICAMENTO DIAM. EST.17 MM	U.S.A.
89	228660204	CONNECTOR FOR STEAM TUBE					
90	129912202	SCREW TCB TORX T10 3X12 UNI 9786 ZN					
91	129740202	SCREW TSP PH/TT 4X10 UNI 8113 ZNP	WITH DOOR HINGE V2				
	129511921	SCREW TCB 2,9X6,4 DIN 7981 BZ SS FROM S/N 9005SA40022836	WITH DOO.HIN.V3+KIT				
92	147623650	SQUARE ADHESIVE FOOT NB4256 BLACK					
93	220380259	ROTATING RING SMART WITH 3 FEET	WITH PART. N°92				

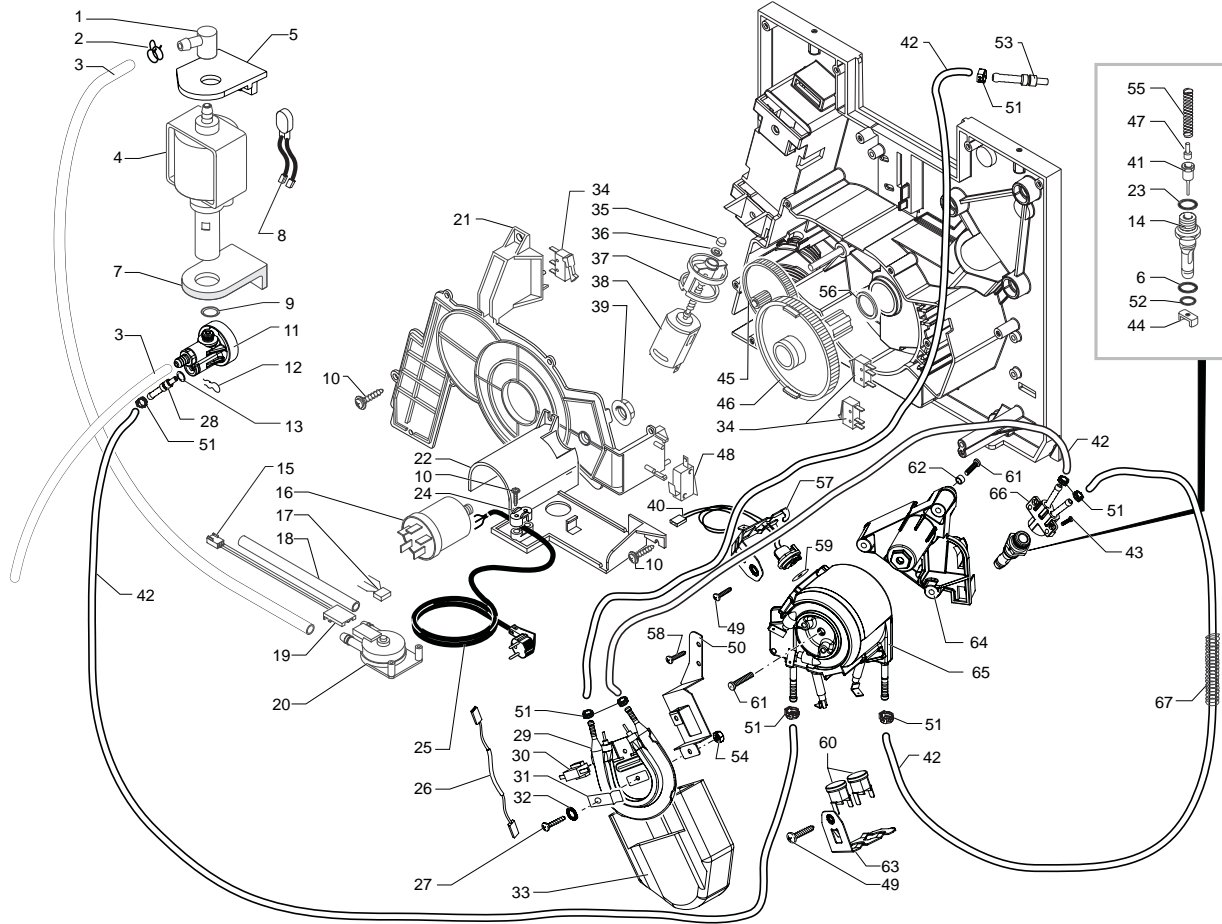


Saeco SUP021YBDR
INTERNATIONAL GROUP



Cod.740825-26-10000112-2292

POS	CODE	DESCRIPTION	NOTE	POS	CODE	DESCRIPTION	NOTE
01	147920150	90° CONNECTOR PUMP INLET		39	123453602	FLANGE NUT M8 TOOTHED BASE GALV.	
02	184320200	SPRING HOSE CLAMP D=9,5MM		40	288582300	SENSOR ELECT.BOARD WITH CONNECTOR	
03	149360200	SILICONE TUBE 5X8 70SR	IN ROLL	41	11009019	TEA/BRASS PISTON L=20,9 ASSY.	
04	12000140	ULKA PUMP EP5/S GW	230V-50HZ	42	129573402	SCREW TAPT M4X10 DIN 7985 GALV	
	12000182	ULKA PUMP EP5/S GW	220V-60HZ	43	129910103	HI-LO TC SCREW 3,5X15 RIF.910189	
	12000131	POMPA ULKA EP5/S	120V-60HZ	44	9011.099	CURSOR FOR BOILER VALVE IN PLASTIC	
05	149205710	PUMP SUPPORT HOLE 13,2 RED		45	9121.042	GEAR Z.12/90	
06	149361200	BLACK SILICON TUBE 7,5X9,3	IN ROLL	46	9121.069.150	GEAR Z.108 FOR MOUNTING PLATE M4000	
07	149185850	EATON PUMP SUPPORT MAGIC 4002012		47	11009013	TEA/BRASS PIN FOR PISTON L=10	
08	0311.807	YELLOW HARNESS KLIXON JP 13	230V	48	186723800	MICROSWITCH SAIA X3M502K2KAM92AS	
	289201000	AS.TERMPR.TERMICO 120°C CAV.125/365	120V	49	129573202	SCREW TCB PHITT 4X8 UNI 8112 ZNP	
09	NM02.028	OR 2015 EPDM FDA		50	129025002	BRACKET BOILER SMART SUPPORT	
10	129670202	PANE. TCB SCREW 3,5X16 TESTA D=8 Z		51	129932202	ROUND HEAD SCREW 10,9 M5X20 GALV	
11	229452100	COMPENSATION AND SAFETY VALVE ASSY		52	NM01.057	OR ORM 0050-20 SILICONE	
12	9011.144	FORK FOR TUBE D.4		53	147756562	PROTECTION FOR FOLK SPRING TUBE D=4	
13	140328059	OR 2015 IN SILICONE PTFE/FDA		54	U302.003	NUT HEXAGONAL M4 UNI 5588	
14	9011.100	PEG FOR VALVE IN PLASTIC		55	9011.132	SPRING FOR PIN	
15	283551300	3POLE CONNECT.AS.TURBINE JP18 SMART		56	9161.132	MYLAR WASHER FOR RATIOMOTOR	
16	184651100	ANTIDISTURB FILTER 0,47X2+1000Y2+0,5L	230V	57	126838217	SENSOR FIXING SPRING	
	184651500	FILTRO ANTIDIST.16A F.NC.16.10.474.472.A	120V	58	U310.003	NUT SELF LOCK.M5 UNI 7473	
17		PARTICULAR NOT AVAILABLE	SEE PART. N°20	59	145951600	ELECTRIC INSULATING DISK D=16	
18	JS01.022	SILICONE TUBE 5X10 60 SHORE	IN ROLL	60	189428200	THERMOSTAT 175° 1NT-08L-3794	230V
19	9161.018	FORK FOR WATERWHEEL			189428600	TERMOSTATO 175° 1NT-08L-5125	120V
20	286473300	-M-VDE TURBINE WITH SENSOR KIT	WITH PART N°17	61	U044.020	SREW TSP M5,0X30 UNI 7688 GALV.	
21	9161.331.920	RATIOMOTOR COVER TRANSPARENT			129932502	SELF DRILLING SCREW 5X30 GALVANIZED	
22	149194800	TURBINE SUPPORT SMART				FROM S/N 9005SA40230571	
23	140320459	OR METRICO 0080-20 SILICON.PTFE/FDA				FROM S/N 9005SA40230572	
24	148600600	CABLE CLAMP V0 MAGIC ESP COMBI UL		62	9161.206	INSULATING SPACER FOR BOILER	
25	183911550	POWER CABLE SCHUKO BLACK L=1500		63	126838117	2 THERMOSTATS FIXING SPRING	
	183930850	BLACK POWER CABLE CH H05+3FAST.L=1500		64	227876800	CONNECTOR AS.TEFLON 2X4 L=235 MM	
	183940950	BLACK POWER CABLE AUST.H05+3FAS.L=1500		65	227875400	CONNECTOR AS.TEFLON 2X4 L=330 MM	
	11001845	BLACK POWER CABLE KOREA 3X1,25 L=1600		66	227900303	BRASS/NIK.CONNEC.FOR BOILER SUPPORT	
	183922450	CAVO AL.USA SJT 3C 16AWG NERO L=1500		67	123453902	SELF-LOCKI.NUT M5X0,8 DIN 980 CLA.8	
26	183440800	CABLE 1 WIRE SILIC.BLACK THERM/FUSE 229°		68	20000204	SPARES KIT SUPPORT BOILER SMART	
27	129823802	TCB SCREW M4X8 UNI 7687 ZNP			149197700	SUPPORT FOR ALLUMINIUM BOILER SMART	
28	227874900	CONNECTOR AS.TEFLON 2X4 L=250 MM				FROM S/N 9005SA40230571	
29	288140458	HEATING-ELEMENT BLECKMAN ASSY.	230V-1000W			FROM S/N 9005SA40230572	
	288140455	AS.RESIS.BLECKMAN 30176 FILET.	120V-1000W	69	282058858	ALUM.BOILER AS.WITH RESISTANCE	230V-1000W
30	189428300	THERMOSTAT 175° INTERCONTR.161471002			282058855	AS.CALD.TUBOLV2 C/RES.SUPPL.	120V-275W
31	127535319	THERMAL FUSE FIXING PLATE		70	NM01.035	OR ORM 0090-20 SILICONE	
32	128310404	WASHER UNI 8842 A4 BURNISHED			282135558	ALUM.BOILER 230V AS.WITH RESISTANCE	COMPLETE
33	147755900	HEAT.ELEM. PROTECTION BLECKM. SMART			282135555	AS.GEN.CALD.AL.TUB.SMART/SIRIUS C/R.120V	COMPLETE
34	NE05.038	MICROSWITCH				WITH PART. N°13-14-23-28-40-41-43-44-47-49	
35	9121.046	SINTERED BUSH FOR MOTOR				51-52-53-55-57-58-59-60-63-64-66-67-68-69-70	
36	148380200	WASHER BAKELIZZATE D=5,5					
37	9121.044	ANTIVIBRATION FOR MOTOR					
38	11004839	GEN.MOT. FOR RATIOMOTOR SMARTUL AS.					

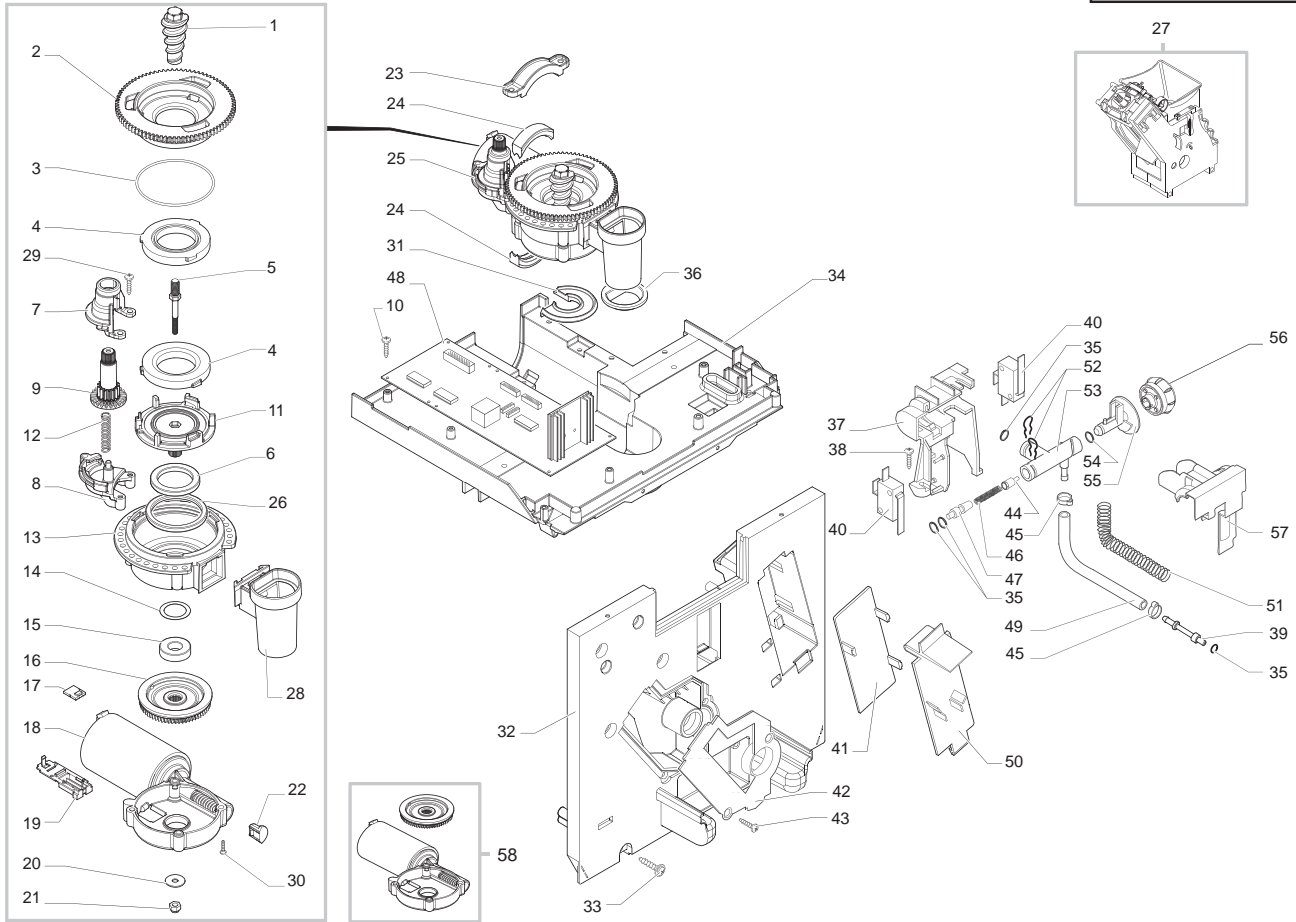


Saeco SUP021YBDR
INTERNATIONAL GROUP

REINFORCE SILICONE TUBE

Cod.740825-26-10000112-2292

POS	CODE	DESCRIPTION	NOTE	POS	CODE	DESCRIPTION	NOTE
01	147920150	90°CONNECTOR PUMP INLET		42	16000380	5X8,9 SILICONE TUBE IN ROLL	
02	184320200	SPRING HOSE CLAMP D=9,5MM		43	129910103	HI -LO TC SCREW 3,5X15 RIF.910189	
03	149360200	SILICONE TUBE 5X8 70SR	IN ROLL	44	9011.099	M CURSOR FOR BOILER VALVE IN PLASTIC	
04	12000140	ULKA PUMP EP5/S GW	230V-50HZ	45	9121.042	GEAR Z.12/90	
05	149205710	PUMP SUPPORT HOLE 13,2 RED		46	9121.069.150	GEAR Z=108 FOR MOUNTING PLATE M4000	
06	NM01.035	OR ORM 0090-20 SILICONE		47	11009013	TEA/BRASS PIN FOR PISTON L=10	
07	149185850	EATON PUMP SUPPORT MAGIC 4002012		48	186723800	MICROSWITCH SAIA X3M502K2KAM92AS	
08	0311.807	YELLOW HARNESS KLIXON JP 13	230V	49	129573202	SCREW TCB PH/TT 4X8 UNI 8112 ZNP	
09	NM02.028	OR 2015 EPDM FDA		50	129025002	BRACKET BOILER SMART SUPPORT	
10	129670202	TCB PANELVIT SCREW 3,5X16 TESTA D=8 ZNP		51	12000892	OETIKER CLAMP D=9,5 16700004	
11	229452100	COMPENSATION AND SAFETY VALV.16BAR AS		52	NM01.057	OR ORM 0050-20 SILICONE	
12	9011.144	FORK FOR TUBE D.4		53	11000750	TEA/BRASS CONNECT. FOR SILICONE TUBE	
13	140328059	OR 2015 IN SILICONE PTFE/FDA		54	U302.003	NUT HEXAGONAL M4 UNI 5588	
14	9011.100	PEG FOR VALVE IN PLASTIC		55	9011.132	SPRING FOR PIN	
15	283551300	3POLE CONNECT.AS.TURBINE JP18 SMART		56	9161.132	MYLAR WASHER FOR RATIOMOTOR	
16	184651100	ANTIDISTURB FILTER 0,47X2+1000Y2+0,5L		57	126838217	SENSOR FIXING SPRING	
17		PARTICULAR NOT AVAILABLE	SEE PART. N°20	58	129573402	SCREW TAPT M4X10 DIN 7985 GALV	
180	JS01.022	SILICONE TUBE 5X10 60 SHORE	IN ROLL	59	145951600	ELECTRIC INSULATING DISK D=16	
19	9161.018	BRACKET FOR TURBINE		60	189428200	THERMOSTAT 175° 1NT-08L-3794	
20	286473300	-M-VDE TURBINE WITH SENSOR KIT	WITH PART. N°20	61	129932502	SCREW TCEI 5X30 PLAST.ZN-B	
21	9161.331.920	TRANSPARENT RATIOMOTOR COVER		62	9161.206	INSULATING SPACER FOR BOILER	
22	149194800	NATURAL TURBINE SUPPORT SMART		63	126838117	2 THERMOSTATS FIXING SPRING	
23	140320459	OR METRICO 0080-20 SILICON.PTFE/FDA		64	11004209	SUPPORT FOR ALLUMINIUM BOILER SMART	
24	148600600	CABLE CLAMP V0 MAGIC ESP COMBI UL		65	11004667	ALUM.BOILER WITH RESISTANCE	230V-1100W
25	183911550	POWER CABLE SCHUKO BLACK L=1500		66	11002606	BOILER SUPPORT CONNECTOR	
26	183440800	CABLE 1 WIRE SILIC.BLACK THERM/FUSE 229°		67	11004703	SPRING DI=8,8 FOR FABRIC FINISH TUBE	
27	129823802	TCB SCREW M4X8 UNI 7687 ZNP					
28	11001460	BLACK CONNec. FAST LOCK-SILICONE TUBE					
29	11004555	HEATING-ELEMENT BLECKMAN	230V-1000W				
30	189428300	THERMOSTAT 175° INTERCONTR.161471002					
31	127535319	GALV/STEEL THERMAL FUSE FIXING PLATE					
32	128310404	WASHER UNI 8842 A4 BURNISHED					
33	147755900	HEAT.ELEMENT PROTECTION BLECKM.SMART					
34	NE05.038	MICROSWITCH					
35	9121.046	SINTERED BUSH FOR MOTOR					
36	148380200	WASHER BAKELIZZATE D=5,5					
37	9121.044	ANTIVIBRATION FOR MOTOR					
38	11003037	MOTOR FOR RATIOMOTOR ASSY.					
39	123453602	FLANGE NUT M8 TOOTHED BASE GALV.					
40	288582300	SENSOR ELECT.BOARD WITH CONNECT. AS.					
41	11009019	TEA/BRASS PISTON L=20,9 ASSY.					
					11004546	BOILER SMART/RS-V2 230V ASSY.	



Saeco SUP021YBDR
INTERNATIONAL GROUP



Cod.740825-26-10000112-2292

POS	CODE	DESCRIPTION	NOTE	POS	CODE	DESCRIPTION	NOTE
01	9141.001	BRASS INCREMENT SCREW MC		28	222870250	GROUND COFFEE OUTLET CONVEYOR ASSY.	
02	149198250	UPPER GRINDER SUPPORT COFFEEGRINDER		29	129660102	PANELVIT TCB SCREW 3,5X18 D.7505 Z	
03	140328960	NBR FDA OR METRIC 0530-15		30	129661702	PANELVIT TCB SCREW 3,5X25 D.7505 ZN	
04	146520100	BAKED CLAY KLAGER GRINDER 48X28		31	145854662	COFFEEGRIND.MOTOR ANTIVIBR.SEAL SMART	
05	127473603	PIN M4-M6 NICK.FOR INCREMENT SCREW		32	227533000	ASSEMBLY BOILER SUPPORT PLATE SMART	230V
06	123030300	AXIAL BEARING EKKO 342.35252			11009360	BOILER SUPPORT PLATE SMART UL ASSY.	120V
07	149199750	UPPER GEAR SUPP. COFFEEGRINDER SMART		33	129670202	PANE. TCB SCREW 3,5X16 TESTA D=8 Z	
08	149199850	LOWER GEAR SUP. COFFEEGRINDER SMART		34	11006440	BLACK GRINDER SUPPORT PLATE V3 SMART1	230V
09	146002150	COFFEE GRINDIN. ADJUSTMENT GEAR SMART			11000467	BLACK GRINDER SUPP. PLATE V3 SMART1 UL	120V
10	U140.004	PANELVIT TCB 3,0X12 DIN 7505 B GAL.		35	140328059	OR 2015 IN SILICONE PTFE/FDA	
11	149198350	LOWER GRINDER SUPPORT COFFEEGRINDER		36	145854462	GROUND COFFEE CONT.SEAL LOWER SMART1	
12	126772918	SPRING FOR ADJUSTMENT GRINDING GEAR		37	11005343	BLACK FAUCET SUPPORT V2 SMART	
13	142905450	UPPER BODY WITH COFFEE GRINDING OUTLET		38	129660902	PANELVIT TCB SCREW 3,5X12 D.7505 Z	
14	128381800	CRINKLE WASHER 21,8X15,8X0,2		39	227961303	STRAIGHT CONNECTOR	
15	123030200	RADIAL BEARING 61900.2RS1		40	186724200	MICROSWITCH SAIA X3M502K2KAJ32AV	
16		PARTICULAR NOT AVAILABLE	SEE PART. N°58	41	9161.345.050	INT.COVERING BLACK PUMP SPACE	
	226000300	GEAR SX Z=38 ASS.FOR GRINDER MOTION		42	9161.333.050	BOILER BLACK COVER	230V
		FROM S/N 9005SA40362332			11009327	BLACK BOILER COVER SMART UL	120V
17	20000230	KIT SPARES FOR SENSOR MC/V3 SMART		43	129535721	SCREW TSP3,5X9,5 DIN 7982 SS	
	181540900	ELECTRONIC BOARD WITH SENSOR HAL506		44	11009018	TEA/BRASS PISTON L=15,1 ASSY.	
		FROM S/N 9005SA90357735		45	NF11.052	OETIKER CLIP	
18		PARTICULAR NOT AVAILABLE	SEE PART. N°58	46	126765317	STEEL SPRING BOIL. PISTON MAG.9011	
	11004354	MOTOR COFFEEGRINDER/V3.1 IME ASSY.	230V	47	11009007	TEA/BRASS CAP FOR FAUCET NESPRESSO	
		FROM S/N 9005SA40362331		48	11002814	ELECTR.BOARD POWER SUP021YBDR/V1	230V
	11004409	MOTOR COFFEEGRINDER/V3.1 IME ASSY.	120V		11007641	POWER BOARD P120V/1 DL	120V
19	149199050	SENSOR SUPPORT FOR COFF.GRIND.MOTOR		49	JS01.019	SILIC. TUBE FABRIC FINISH 3X7	IN ROLL
20	128381902	FLAT WASH.DI=4,3 DE=14 SP=1,5 GALV.		50	9161.332.050	EXT.COVERING BLACK PUMP SPACE	
21	123453102	SELF LOCK NUT M4 DIN 982 HIGH GALV.		51	126772018	SPRING DI=7,5 FOR FABRIC FINISH TUB	
22	149214800	CAP FOR WORM SCREW MC/V3 CENTRING		52	9011.144	FORK FOR TUBE D.4	
23	144752300	DEADLOCK MOTOR FLANGE SMART1		53	11003733	NIKELED STEAM FAUCET	
24	145854562	COFFEEGRIND.MOTOR SUPP. SEAL SMART1		54	140328561	OR D=4,18 X 1,90 IN THERMOIL	
25	11000516	GENERAL MOTOR ASS.MC/V3.1	230V	55	140640300	FAUCET SHAFT FOR SMART	
	11000514	GENERAL MOTOR ASS.MC/V3.1 120V	120V	56	227710904	STEAM KNOB ZAMAS CHROM.PLATED SMART	
26	140360500	FELT RING 45,4X39,4X4		57	147756400	PROTECTION FAUCET BODY WATER/STEAM	
27	11003426	BLACK BREW UNIT V3 NEW/SBS SMART		58	20000202	SPARES KIT MOTOR COFFEEGRIND./V3 230V	WITH PART. N°16 - 18
		(SEE COD. EXP. E90046)				UP TO S/N 9005SA40362331	
		NOTE:FOR SINGLE PARTS OF OLD GREY BREW UNIT: SEE ESP.CODE E90041					