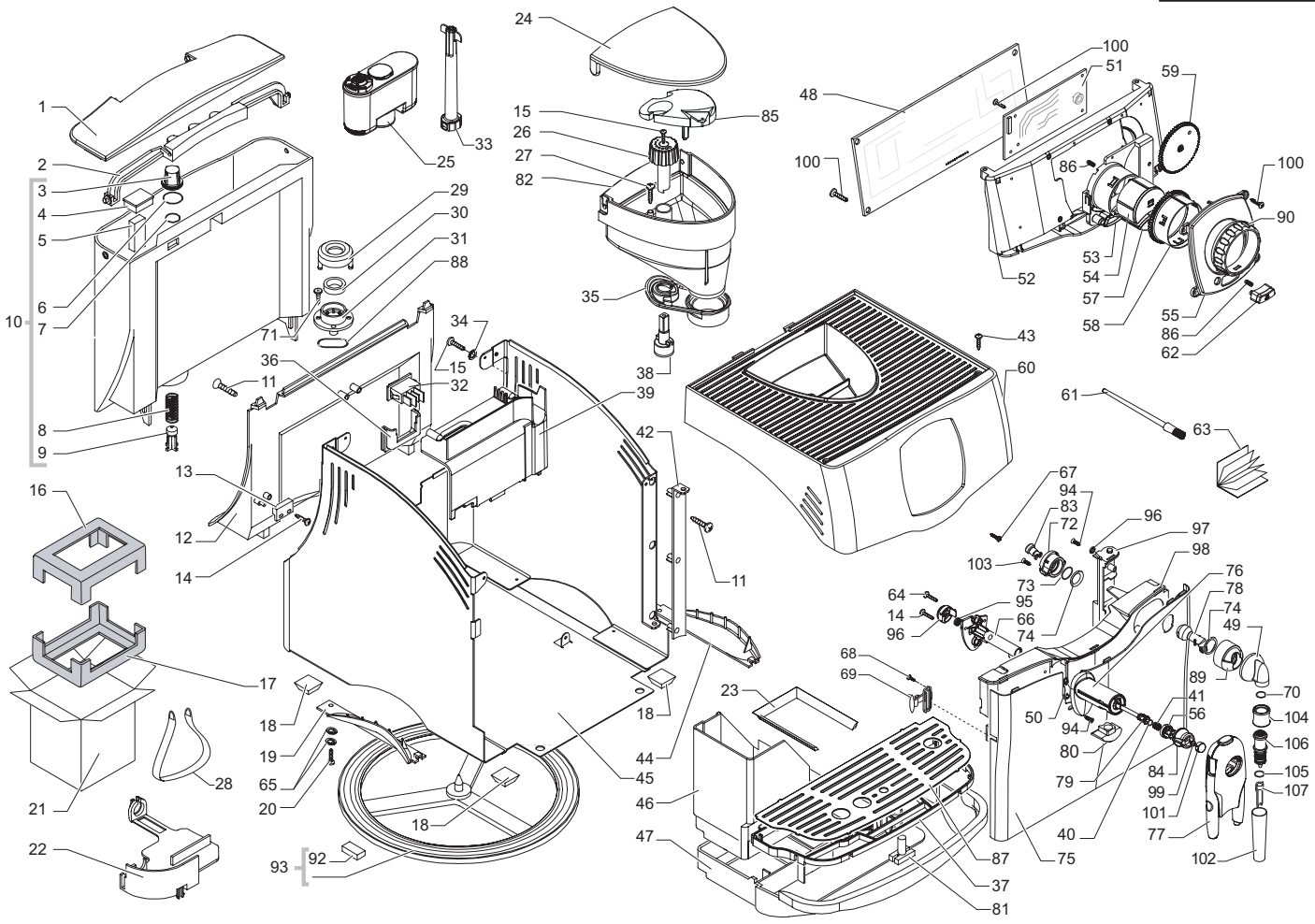


Saeco SUP 021 YOR
INTERNATIONAL GROUP

Cod. 1000022-23-30-31-32-501

POS	CODE	DESCRIPTION	NOTE	POS	CODE	DESCRIPTION	NOTE
01	142816500	WATER CONTAINER LID SMART NATURAL/GREY		38	145897300	INSERT GRINDING ADJUSTM.KNOB SMART	
02	146580950	BLACK KNOB WATER CONTAINER LID SMART		39	147755800	INT.CASING PROTECTION POWER CABLE	
03	144650800	WATER TANK FILTER		40	140326661	OR METRIC 0040-20 IN EPDM	
04	142844380	CAP FOR FLOATING SPACE TRANSP./GREY		41	126772518	SPRING FOR CREAM ADJUSTMENT SHAFT	
05	9161.112.150	LEVEL FLOAT GREY		42	226481441	DOOR HINGE KIT SMART SILVER	
06	140328461	EPDM OR METRIC 0019-10		42	226481450	DOOR HINGE KIT SMART BLACK	
07	140324362	OR METRIC 0060-30 IN SILICONE		43	U143.018	screw TORX TCB 3,5X16 F TIP BL	
08	126764718	SPRING FOR WATER CONTAINER VALVE		44	225920108	HANGRIP DX SMART CHROMED	
09	147660562	GREY PISTON FOR WATER VALVE		45	222360441	CASING WITH KNOB SMART SILVER	
10	222693500	WATER CONTAINER AS.SMART NATUR/GREY		45	222360450	CASING WITH KNOB SMART BLACK	
11	129511903	SCREW TCB 2,9X6,4 DIN 7981 BZ NICK		46	142602299	DUMP BOX BLACK UNPAINTED SMART	
12	149194650	SUPPORT WATER CONTAINER W/O LAMP HOUSING	230V	46	229630841	SILVER DRIP TRAY SMART	
12	149194618	SUPPORT WATER CONTAINER W/O LAMP HOUSING	120V	47	229630850	BLACK DRIP TRAY SMART	
13	283551900	2 POLE LEVEL SENSOR AS.SMART	230V	47	229630852	BLACK DRIP TRAY SMART/UL	120V
13	283551955	2 POLE LEVEL SENSOR AS.SMART	120V	48	11002812	CPU/POWER ELECTR.BOARD RONDO'/V1 RS	230V
14	129910921	HI-LO TC SCREW 3X10 STEEL		48	11000164	CPU/POWER ELECTR.BOARD RONDO' RS	120V
15	129661204	SCREW PANELVIT TCB 3X16 DIN7505 BRU		49	228660304	CONNECTOR FOR STEAM TUBE	
16	175898600	UPPER TECHMATE INSERT FOR BOX SMART1		50	127535820	PLATE FOR DOOR METALLIC SMART	
17	175897300	LOWER TECHMATE INSERT FOR BOX SMART		51	181555700	TOUCH PANEL ELECTRONIC BOARD RONDO'	
18	147623150	SQUARE ADHESIVE FOOT 5023 BLACK		52	149201250	BLACK SUPPORT ELECTRONIC CARD RONDO'	230V
19	225920208	HANGRIP SX SMART CHROMED		52	11000491	BLACK SUPPORT ELECTRONIC CARD RONDO'/UL	120V
20	129511803	SCREW TCB 2,9X6,4 DIN 7981 NICK		53	149201350	SUPPORT FOR BUTTONS RONDO' BLACK	
21	178517600	DISPLAY BOX SAECO INCANTO S-CLASS	230V	54	149252350	BLACK BUTTON FOR ONE COFFEE	
21	13000050	DISPLAY BOX SAECO INCANTO S-CLASS USA	120V	55	224885341	FRONT PANEL SILVER RONDO' SILK/SCREEN	
22	148601650	GROMMET FOR POWER CABLE SMART		55	224885350	FRONT PANEL BLACK RONDO' SILK/SCREEN	
23	229170450	SEALING SUPPORT AS.WATER DRIP TRAY		56	149198700	SUPPORT CREAM ADJUSTMENT SHAFT	
24	142815800	BEAN COFF.CONT.LID SMART NATUR/GREY		57	149252450	BLACK BUTTON FOR TWO COFFEE	
25	223070200	CONFECTION SAECO AQUA PRIMA		58	149201450	BLACK SUPPORT FOR RING NUT RONDO'	
26	227721800	GRIND.ADJUST.NATGREY KNOB SMART S/S		59	146002200	POTENTIOMETER GEAR Z=58 RONDO'	
27	U142.005	PANELVIT TSP 4,5X16 DIN 7505 A GAL		60	11000162	COVER SMART SILVE.W.O/OPEN S/SCREEN	
28	179990300	BAND FOR LIFTING L=1550 H=300 MM		60	11000163	BLACK COVER W.O/OPEN S/SCREEN PLUS RONDO	
29	0701.031.150	SEAL COVER GREY		60	11000519	BLACK COVER RONDO'/UL SILK/SCREEN	120V
30	145842900	WATER CONTAIN.VALVE SEAL GACO DIM14		60	11003065	BLACK COVER W.O/OPEN S/SCR.PLUS RONDO'/UL	
31	0701.014.150	SEAL CONTAINER GREY		61	127390100	BRUSH FOR CLEANING	
32	NE03.038	BIPOLAR SWITCH FUSIT C1250AR		62	11000082	BLACK BUTTON FOR WARM WATER RONDO'	
33	145902250	INSERT FOR DECALIFYING FILTER		63	15000030	INSTRUCT.MANUAL SAECO TYPE SUP021YOR	7 LANGUAGES
34	149213450	CAP FOR COFFEE DISPENSER TUBE		63	15000031	INSTRUCT.MANUAL SAECO TYPE SUP021YOR	D/F/I
35	145854760	BEAN COFFEE CONTAINER SEAL SMART		63	15000050	INSTRUCT.MANUAL SAECO TYPE SUP021YOR	GB/F/E
36	149202550	SWITCH GENERAL SUPPORT BLACK SMART		64	U109.005	screw AUT.TCB 3,5X16 DIN 7981 C	
37	229183741	SILVER SUPPORT GRATE METAL SMART		65	U207.003	PLAIN WASHER 3,2X7 UNI 6592 GAL	
37	229183750	BLACK SUPPORT GRATE METAL SMART		66	149501350	COFFEE DISPENSER TUBE FOR ADJUST.SHAFT	
37	229183752	BLACK SUPPORT GRATE METAL SMART/UL	120V	67	129660902	PANELVIT TCB SCREW 3,5X12 D.7505 Z	

Saeco SUP 021 YOR
INTERNATIONAL GROUP

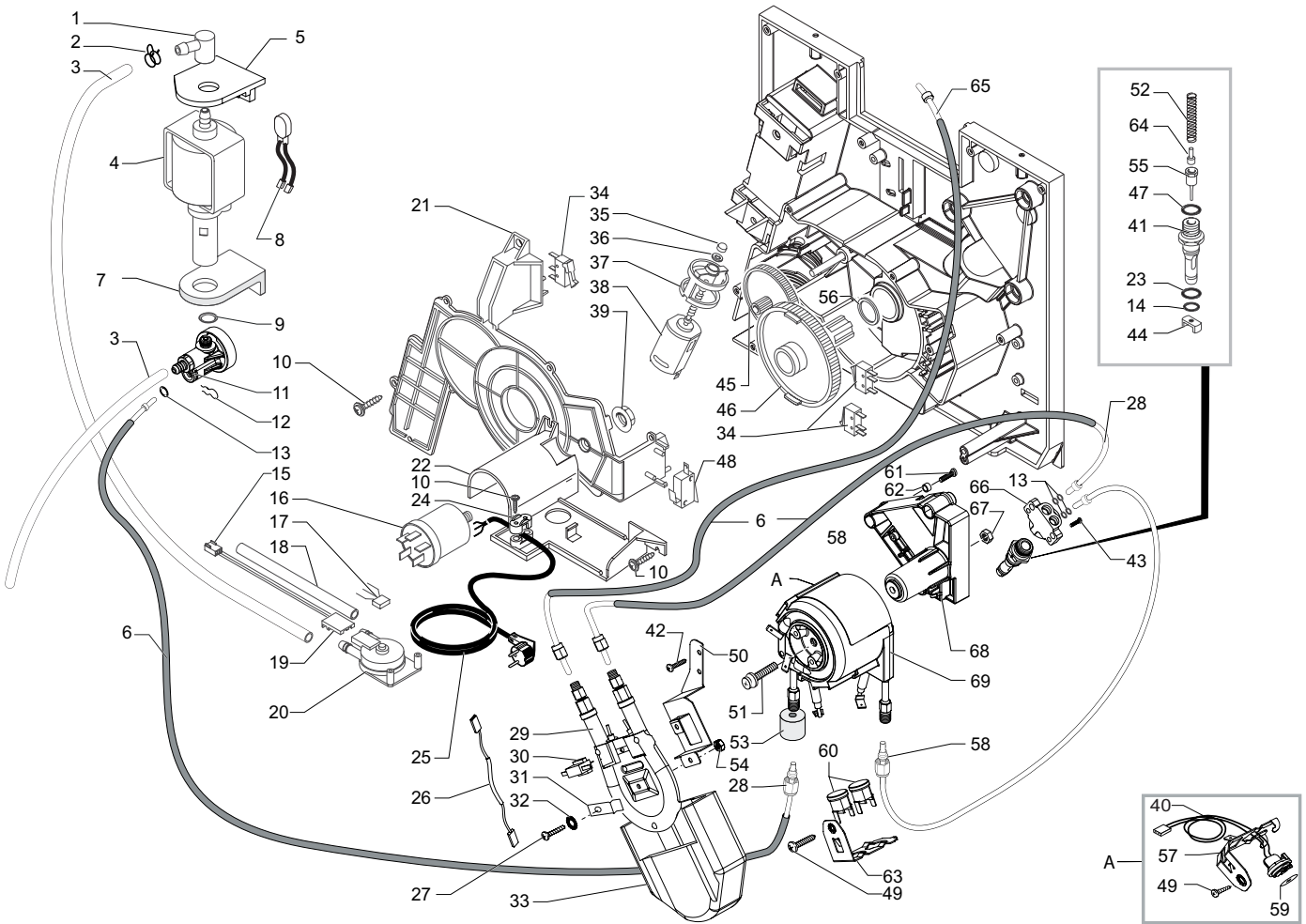


Saeco SUP 021 YOR
INTERNATIONAL GROUP

Cod. 1000022-23-30-31-32-501

POS	CODE	DESCRIPTION	NOTE	POS	CODE	DESCRIPTION	NOTE
68	129670302	PANE.TCB SCREW 2,9X9,5 TES.D=7,5 ZN		103	129571521	SCREW TCB PH/SW 3X18 UNI 8112 INOX	
69	146313740	DISENGAGE LEVER GREY/SILVER DOOR SMART		104	147757050	STEAM TUBE PROTECTION	
70	140324461	OR METRIC 0060-20 IN TERMOIL		105	140320762	OR 108 IN SILICONE	
71	129535721	SCREW TSP3,5X9,5 DIN 7982 SS		106	222270249	UPPER TUBE ASS.FOR PANNARELLO	
72	149200450	SUPPORT FOR ARTICULATED JOINT		107	142271350	BLACK INTERN.INP.TUBE PANNARELLO G100	
73	140329162	OR 117 IN SILICONE 70 SH					
74	148620900	SEMISPHERE SEAL FOR ARTICULATED JOINT					
75	228982941	DOOR METALL SMART SILVER					
	228982950	DOOR METALL SMART BLACK					
76	229184704	COFFEE DISPENSER SUPPORT WITH HOLE					
77	223701041	SILVER COFFEE DISPENSER AS.SMART					
	223701050	BLACK COFFEE DISPENSER AS.SMART					
78	147922249	CONNECTOR FOR ARTICULATED JOINT					
79	140640200	CREAM ADJUSTMENT SHAFT					
80	145854962	SEAL FOR COFFEE DISPENSER V2 SMART					
81	145501211	RED FLOAT FOR DRIP TRAY SMART					
82	142714100	NATURAL/GREY BEAN CONTAINER SMART					
83	145896949	RETAINING INSERT TEFLON TUBE					
84	227701104	CREAM ADJUSTM.KNOB GLOSS CHR.PLATED					
85	147757800	BEAN CONT.PROTECT.SMART NATUR/GREY					
86	126773418	SPRING FOR BUTTON RONDO'					
87	125743421	STAINLESS STEEL GRATE SMART					
88	0312.022	SEAL FOR VALVE CONTAINER					
89	228660204	CONNECTOR FOR STEAM TUBE					
90	225110704	CHROME RING NUT FOR RONDO'					
91	129511921	SCREW TCB 2,9X6,4 DIN 7981 BZ SS					
92	147623650	SQUARE ADHESIVE FOOT NB4256 BLACK					
93	220380259	ROTATING RING SMART WITH 3 FEET	WITH PART. N°92				
94	129562603	SCREW TSC PZ-B 2,9X9,5 UNI 6956 NI					
95	145853260	GACO SEAL FOR COFFEE DISPENSER TUBE					
96	128310321	WASHER UNI 8842 A3 SS					
97	229183541	SUPPOR.HINGE DOOR METAL SMART SILV.					
	229183550	SUPPOR.HINGE DOOR METAL SMART BLACK					
	229183552	SUPPOR.HINGE DOOR METAL SMART BLACK	120V				
98	229183141	SUPPORT DOOR METALLIC SMART SILVER					
	229183150	SUPPORT DOOR METALLIC SMART BLACK					
	229183152	SUPPORT DOOR METALLIC SMART BLACK	120V				
99	129512503	SCREW TCB 2,9X9,5 DIN 7981 NICK					
100	129661302	PANELVIT TCB SCREW 3X8 DIN 7505 ZNP					
101	229200250	BLACK CAP FOR KNOB CREAM ADJUSTMENT					
102	122842121	EXTERNAL COVER ST.STEEL PANNAR.G100					

Saeco SUP 021 YOR
INTERNATIONAL GROUP



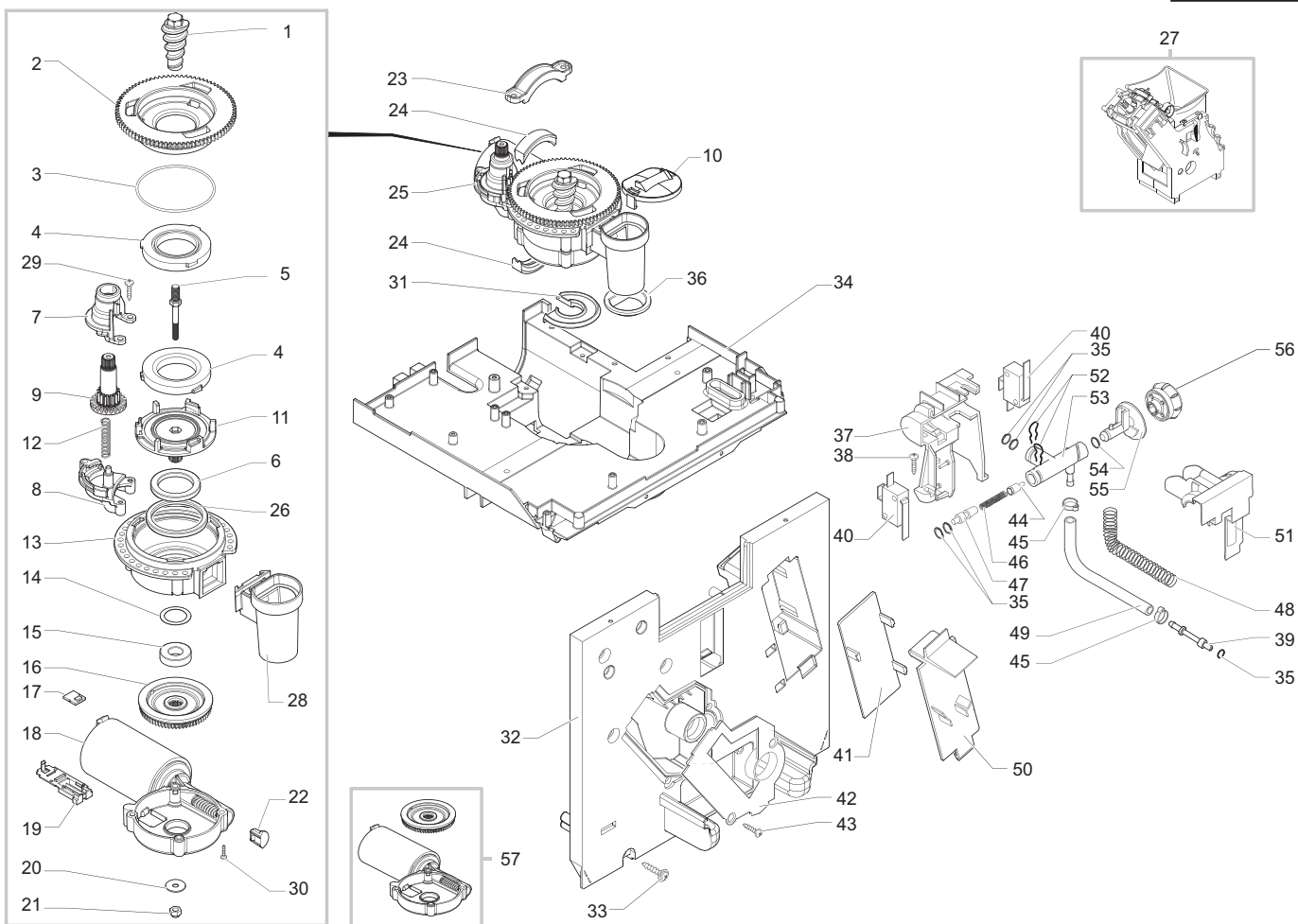
Saeco SUP 021 YOR
INTERNATIONAL GROUP

Cod. 1000022-23-30-31-32-501

POS	CODE	DESCRIPTION	NOTE
01	147920150	90° CONNECTOR PUMP INLET	
02	184320200	SPRING HOSE CLAMP D=9,5MM	
03	149360200	SILICONE TUBE 5X8 70SR	IN ROLL
04	12000140	ULKA PUMP EP5/S GW	230V-50HZ
	12000131	ULKA PUMP EP5/S	120V-60HZ
	12000182	ULKA PUMP EP5/S GW	220V-60HZ
05	149205710	PUMP SUPPORT HOLE 13,2 RED	
06	149361200	BLACK SILICON TUBE 7,5X9,3	IN ROLL
07	149185850	EATON PUMP SUPPORT MAGIC 4002012	
08	0311.807	YELLOW HARNESS KLIXON JP 13	230V
	289201000	THERMAL. PROTECT 120°C CABLE.125/3	120V
09	140321961	OR 2031 IN TERMOIL	
10	129670202	PANE. TCB SCREW 3,5X16 TESTA D=8 Z	
11	229452100	COMPENSATION AND SAFETY VALVE ASSY	
12	9011.144	FORK FOR TUBE D.4	
13	140328059	OR 2015 IN SILICONE PTFE/FDA	
14	NM01.057	OR ORM 0050-20 SILICONE	
15	283551300	3POLE CONNECT.AS.TURBINE JP18 SMART	
16	184651100	ANTIDISTURB FILTER 0,47X2+1000Y2+0,5L	230V
	184651500	ANTIDISTURB FILTER 16A FNC 1610474472A	120V
17		PARTICULAR NOT AVAILABLE	SEE PART. N°20
18	JS01.022	SILICONE TUBE 5X10 60 SHORE	IN ROLL
19	9161.018	FORK FOR WATERWHEEL	
20	286473300	-M-VDE TURBINE WITH SENSOR KIT	WITH PART. N°17
21	9161.331.920	RATIOMOTOR COVER TRANSPARENT	
22	149194800	TURBINE SUPPORT SMART	
23	NM01.035	OR ORM 0090-20 SILICONE	
24	148600600	CABLE CLAMP V0 MAGIC ESP COMBI UL	
25	183911550	POWER CABLE SCHUKO BLACK L=1500	
	183930850	BLACK POWER CABLE CH H05+3FAST.L=1500MM	
	183922450	P.CABLE SJT 16AWG USA BLACK L=1500	
	11001845	BLACK POWER CABLE KOREA 3X1,25 L=1600	
26	183440800	CABLE 1 WIRE SILIC.BLACK THERM/FUSE 229°	230V
	183441062	CABLE 1WIRE SILICON.BLACK AWG18+TH/FUSE	120V
27	129823802	TCB SCREW M4X8 UNI 7687 ZNP	
28	227874900	CONNECTOR AS.TEFLON 2X4 L=250 MM	
29	288140458	HEATING-ELEMENT BLECKMAN ASSY. 1000W	230V
	288140455	HEATING-ELEMENT BLECKMAN ASSY. 1000W	120V
30	189428300	THERMOSTAT 175° INTERCONTR.161471002	
31	127535319	THERMAL FUSE FIXING PLATE	
32	128310404	WASHER UNI 8842 A4 BURNISHED	
33	147755900	HEAT.ELEMENT PROTECTION BLECKMANN SMART	
34	NE05.038	MICROSWITCH	
35	9121.046	SINTERED BUSH FOR MOTOR	
36	148380200	WASHER BAKELIZZATE D=5,5	

POS	CODE	DESCRIPTION	NOTE
37	9121.044	ANTIVIBRATION FOR MOTOR	
38	286892558	GENER.ASS.MOTOR FOR RATIOMOTOR	230V
	286892555	GENER.ASS.MOTOR FOR RATIOMOTOR	120V
39	123453602	FLANGE NUT M8 TOOTHED BASE GALV.	
40	288582300	SENSOR ELECT.BOARD WITH CONNECTOR	
41	9011.100	PEG FOR VALVE IN PLASTIC	
42	129573402	SCREW TAPT M4X10 DIN 7985 GALV	
43	129910103	HI-LO TC SCREW 3,5X15 RIF.910189	
44	9011.099	CURSOR FOR BOILER VALVE IN PLASTIC	
45	9121.042	GEAR Z.12/90	
46	9121.069.150	GEAR Z.108 FOR MOUNTING PLATE M4000	
47	140320459	OR METRICO 0080-20 SILICON.PTFE/FDA	
48	186723800	MICROSWITCH SAIA X3M502K2KAM92AS	
49	129573202	SCREW TCB PH/TT 4X8 UNI 8112 ZNP	
50	129025002	BRACKET BOILER SMART SUPPORT	
51	129932202	ROUND HEAD SCREW 10,9 M5X20 GALV	
52	9011.132	SPRING FOR PIN	
53	147756562	PROTECTION FOR FOLK SPRING TUBE D=4	
54	U302.003	NUT HEXAGONAL M4 UNI 5588	
55	227660103	BRASS PISTON L=20,9 ASSY.	
56	9161.132	MYLAR WASHER FOR RATIOMOTOR	
57	126838217	SENSOR FIXING SPRING	
58	227876800	CONNECTOR AS.TEFLON 2X4 L=235 MM	
59	145951600	ELECTRIC INSULATING DISK D=16	
60	189428200	THERMOSTAT 175° 1NT-08L-3794	
	189428600	THERMOSTAT 175° 1NT-08L-5125	
61	129932502	SELF DRILLING SCREW 5X30 GALVANIZED	
62	9161.206	INSULATING SPACER FOR BOILER	
63	126838117	2 THERMOSTATS FIXING SPRING	
64	227480203	BRASS/NIK.PIN FOR PISTON L=20,9	
65	227875400	CONNECTOR AS.TEFLON 2X4 L=330 MM	
66	227900303	BRASS/NIK.CONNEC.FOR BOILER SUPPORT	
67	123453902	SELF-LOCKI.NUT M5X0,8 DIN 980 CLA.8	
68	149197700	SUPPORT FOR ALLUMINIUM BOILER SMART	
69	282058858	ALUM.BOILER AS.WITH RESISTANCE	230V
	282058855	ALUM.BOILER AS.WITH RESISTANCE	120V
	289435200	GENERAL TURBINE FOR SMART ASSY.	
	282135555	ALUM.BOILER 120V AS.WITH RESISTANCE	
	282135558	ALUM.BOILER 230V AS.WITH RESISTANCE	
		WITH PART. N° 13-14-23-28-40-41-43-44-47-49-51-52-53	
		55-57-59-60-63-64-66-67-68-69-70	

Saeco SUP 021 YOR
INTERNATIONAL GROUP



Saeco SUP 021 YOR
INTERNATIONAL GROUP

Cod. 1000022-23-30-31-32-501

POS	CODE	DESCRIPTION	NOTE	POS	CODE	DESCRIPTION	NOTE
01	9141.001	UPPER GRINDER SUPPORT COFFEEGRINDER		31	145854662	COFEGRIND.MOTOR ANTIVIBR.SEAL SMART	
02	149198250	NBR FDA OR METRIC 0530-15		32	227533000	ASSEMBLY BOILER SUPPORT PLATE SMART	
03	140328960	BAKED CLAY KLAGER GRINDER 48X28			11001587	MOUNTING PLATE NESPRESSO/UL WITH PIN	
04	146520100	PIN M4-M6 NICK.FOR INCREMENT SCREW		33	129670202	PANE. TCB SCREW 3,5X16 TESTA D=8 Z	
05	127473603	AXIAL BEARING EKKO 342.35252		34	147532300	BLACK GRINDER SUPPORT PLATE SMART	
06	123030300	UPPER GEAR SUPPORT COFFEEGRINDER SMART			11000467	BLACK GRINDER SUPPORT PLATE SMART/UL	230V 120V
07	149199750	LOWER GEAR SUPPORT COFFEEGRINDER SMART		35	140328059	OR 2015 IN SILICONE PTFE/FDA	
08	149199850	COFFEE GRINDING ADJUSTMENT GEAR SMART		36	145854462	GROUND COFFEE CONT.SEAL LOWER SMART1	
09	146002150	LID GROUND COFFEE OUTLET CONVEYOR		37	149194500	FAUCET SUPPORT SMART	
10	142816950	LOWER GRINDER SUPPORT COFFEEGRINDER		38	129660902	PANELVIT TCB SCREW 3,5X12 D.7505 Z	
11	149198350	SPRING FOR ADJUSTMENT GRINDING GEAR		39	227961303	STRAIGHT CONNECTOR	
12	126772918	UPPER BODY WITH COFFE.GROUND OUTLET		40	186724200	MICROSWITCH SAIA X3M502K2KAJ32AV	
13	128381800	CRINKLE WASHER 21,8X15,8X0,2		41	9161.345.050	INT.COVERING BLACK PUMP SPACE	
14	123030200	RADIAL BEARING 61900.2RS1		42	9161.333.050	BOILER BLACK COVER	
15		PARTICULAR NOT AVAILABLE	SEE PART. N°57	43	129535721	SCREW TSP3,5X9,5 DIN 7982 SS	
16		UP TO S/N 9005SA40367557		44	227660303	BRASS PISTON L=15,1 ASSY.	
	226000300	GEAR SX Z=38 FOR GRINDER MOTION ASSY.		45	NF11.052	OETIKER CLIP	
		FROM S/N 9005SA40367558		46	126765317	STEEL SPRING BOIL. PISTON MAG.9011	
17	181554200	ELECTRONIC BOARD WITH SENSOR HAL506 SF-K		47	229190503	CAP FOR FAUCET NESPRESSO BRASS/NIK.	
18		PARTICULAR NOT AVAILABLE	SEE PART. N°57	48	126772018	SPRING DI=7,5 FOR FABRIC FINISH TUB	
	286852058	MOTOR COFFEEGRINDER/V3 ASS.	230V	49	JS01.019	SILIC. TUBE FABRIC FINISH 3X7	IN ROLL
		FROM S/N 9005SA40367558 - ONLY 230V		50	9161.332.050	EXT.COVERING BLACK PUMP SPACE	
	11003243	MOTOR COFFEEGRINDER/V3 ASS.	120V	51	147756400	PROTECTION FAUCET BODY WATER/STEAM	
		FROM S/N 9005SA40367558 - ONLY 120V		52	9011.144	FORK FOR TUBE D.4	
19	149199050	SENSOR SUPPORT FOR COFF.GRIND.MOTOR		53	148440150	FAUCET BODY MOD.	
20	128381902	FLAT WASH.DI=4,3 DE=14 SP=1,5 GALV.		54	140328561	OR D=4,18 X 1,90 IN TERMOIL	
21	123453102	SELF LOCK NUT M4 DIN 982 HIGH GALV.		55	140640300	FAUCET SHAFT FOR SMART	
22	149214800	CAP FOR WORM SCREW MC/V3 CENTRING		56	227710904	STEAM KNOB ZAMAS CHROM.PLATED SMART	
23	144752300	DEADLOCK MOTOR FLANGE SMART1		57	20000202	SPARES KIT MOTOR COFFEEGRINDER/V3 230V	WITH PART. N°16 - 18
24	145854562	COFFEGRIND.MOTOR SUPPORT SEAL SMART1			20000410	SPARES KIT MOTOR COFFEEGRINDER/V3 120V	WITH PART. N°16 - 18
25	286884958	GENERAL MOTOR MC/V3 ASSY.	230V			UP TO S/N 9005SA40367557 - ONLY 230V	
	11003242	GENERAL MOTOR MC/V3 ASSY.	120V			UP TO S/N 9005SA40367557 - ONLY 120V	
26	140360500	FELT RING 45,4X39,4X4					
27	225802550	BREW UNIT WITH VALVE SMART	OTHER COUNTRY				
	225802650	BREW UNIT W/VALVE SMART/ELFO					
		(SEE COD. EXP. E90041)					
28	222870250	GROUND COFFEE OUTLET CONVEYOR ASSY.					
29	129660102	PANELVIT TCB SCREW 3,5X18 D.7505 Z					
30	129661702	PANELVIT TCB SCREW 3,5X25 D.7505 ZN					

Saeco SUP 021 YOR
INTERNATIONAL GROUP