

Saeco SUP 021YADR
INTERNATIONAL GROUP

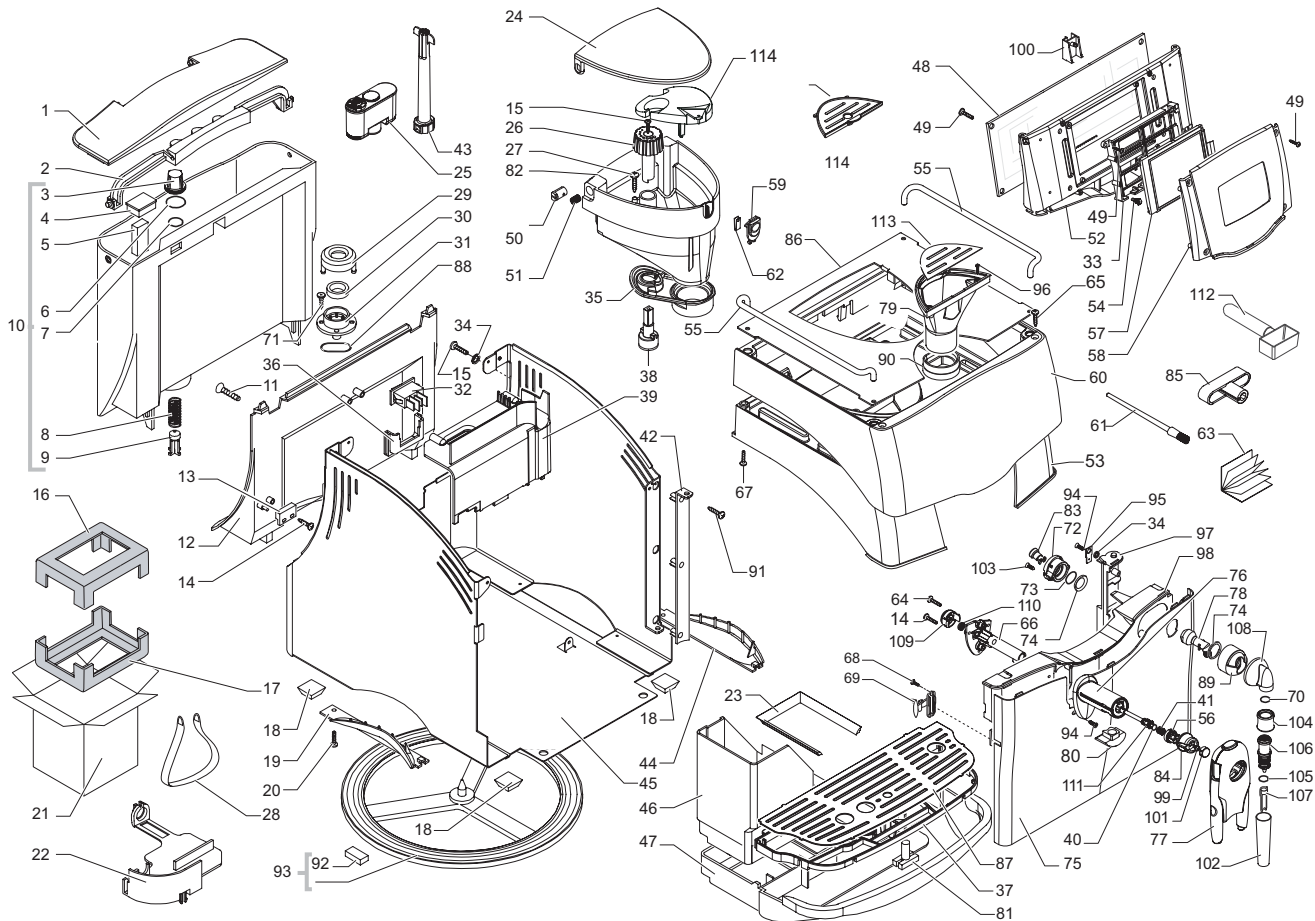


Cod. 7 4 08 23 - 24

POS	CODE	DESCRIPTION	NOTE
01	142816500	WATER CONTAINER LID SMART NATURAL/GREY	
02	146580950	BLACK KNOB WATER CONTAINER LID SMAR	
03	144650800	WATER TANK FILTER	
04	142844380	CAP FOR FLOATING SPACE TRANSP/GREY	
05	9161.112.150	LEVEL FLOAT GREY	
06	140328461	EPDM OR METRIC 0019-10	
07	140324362	OR METRIC 0060-30 IN SILICONE	
08	126764718	SPRING FOR WATER CONTAINER VALVE	
09	147660562	GREY PISTON FOR WATER VALVE	
10	222693500	WATER CONTAINER AS.SMART NATUR/GREY	
11	129511903	SCREW TCB 2,9X6,4 DIN 7981 BZ NICK	
12	149194650	SUPPORT WATER CONTAINER W/O LAMP HOUSING	
13	283551900	2 POLE LEVEL SENSOR AS.SMART	230V
13	283551955	2 POLE LEVEL SENSOR AS.SMART	120V
14	129910921	HI-LO TC SCREW 3X10 STEEL	
15	129661204	SCREW PANELVIT TCB 3X16 DIN7505 BRU	
16	175898600	UPPER TECHMATE INSERT FOR BOX SMART1	
17	175897300	LOWER TECHMATE INSERT FOR BOX SMART	
18	147623150	SQUARE ADHESIVE FOOT 5023 BLACK	
19	225920208	HANGRIP SX SMART CHROMED	
20	129511803	SCREW TCB 2,9X6,4 DIN 7981 NICK	
21	178517600	DISPLAY BOX SAECO INCANTO S-CLASS	
21	13000050	DISPLAY BOX SAECO INCANTO S-CLASS USA	(USA)
22	148601650	GROMMET FOR POWER CABLE SMART	
23	229170450	SEALING SUPPORT AS.WATER DRIP TRAY	
24	142816700	BEAN COFF.CONT.LID SMART NATUR/GREY	
25	223070200	CONFECTION SAECO AQUA PRIMA	
26	227721800	GRIND.ADJUST.NATGREY KNOB SMART S/S	
27	U142.005	PANELVIT TSP 4,5X16 DIN 7505 A GAL	
28	179990300	BAND FOR LIFTING L=1550 H=300 MM	
29	0701.031.150	SEAL COVER GREY	
30	145842900	WATER CONTAIN.VALVE SEAL GACO DIM14	
31	0701.014.150	SEAL CONTAINER GREY	
32	NE03.038	BIPOLAR SWITCH FUSIT C1250AR	
33	149202400	DISPLAY SUPPORT SMART DIGITAL	
34	128310321	WASHER UNI 8842 A3 SS	
35	145854760	BEAN COFFEE CONTAINER SEAL SMART	
36	149202550	SWITCH GENERAL SUPPORT BLACK SMART	
37	229183750	BLACK SUPPORT GRATE METAL SMART	230V
37	229183752	BLACK SUPPORT GRATE METAL SMART/UL	120V
38	145897300	INSERT GRINDING ADJUSTM.KNOB SMART	

POS	CODE	DESCRIPTION	NOTE
39	147758800	INT.CASING PROTECTION POWER CABLE	
40	140326661	OR METRIC 0040-20 IN EPDM	
41	126772518	SPRING FOR CREAM ADJUSTMENT SHAFT	
42	226481450	DOOR HINGE KIT SMART BLACK	UP TO S/N 9005SA40022836
42	222630550	DOOR HINGE SMART BLACK	FROM S/N 9005SA40022837
43	145902250	INSERT FOR DECALCIFYING FILTER	
44	225920108	HANGRIP DX SMART CHROMED	
45	222360421	CASING WITH KNOB SMART TRANSPARENT	
46	142602299	DUMP BOX BLACK UNPAINTED SMART	
47	229630850	BLACK DRIP TRAY SMART	230V
47	229630852	BLACK DRIP TRAY SMART/UL	120V
48	181556000	ELECTRONIC BOARD CPU SIRIUS	
49	129661302	PANELVIT TCB SCREW 3X8 DIN 7505 ZNP	
50	147472750	PIN FOR DEADLOCK SPRING SMART1 DIG.	
51	126838818	SPRING FOR BEAN COFFEE CONTAINER	
52	149201552	BLACK SUPPORT ELECT.CARD SMART DIG.	
53	222813350	COVER SMART BLACK W/OPEN SIL/SCREEN	
54	145898160	INSERT DISPLAY SUPPORT SIRIUS NBR	
55	227751808	CUPS PROTECTION SMART/DIG.CHROMED	
56	149198700	SUPPORT CREAM ADJUSTMENT SHAFT	
57	181556400	ELECTRONIC BOARD GRAPH DISPLAY	
58	224890850	FRONT PANEL BLACK SMART SILK/SCREEN	
59	149252850	OPENING BUTTON BEAN CONTAINER COFFE	
60	142855200	EXTERNAL COVER SMART TRANSPARENT	
60	222847650	COVER SMART WITH OPEN BLACK	230V COMPLETE
60	222847684	COVER SMART WITH OPEN BLACK	120V COMPLETE
61	127390100	BRUSH FOR CLEANING	
62	126838918	SPRING FOR BUTTON BEAN CONTAINER COFFEE	
63	165897000	INSTRU.MANUAL SAECO TYPE SUP021YADR	7 LANGUAGES
63	165897017	INSTRU.MANUAL SAECO TYPE SUP021YADR	GB/F/E
63	165897027	INSTRU.MANUAL SAECO TYPE SUP021YADR	D/F/I
64	U109.005	SCREW AUT.TCB 3,5X16 DIN 7981 C	
65	U143.018	SCREW TORX TCB 3,5X16 F TIP BL	
66	149501350	COFFEE DISPENSER TUBE FOR ADJUST.SHAFT	
67	U046.003	SCREWWTCBC M4,0X12 INIDENT. WASH.8	
68	129670302	PANE.TCB SCREW 2,9X9,5 TES.D=7,5 ZN	
69	146313750	DISENGAGE LEVER BLACK DOOR SMART	
70	140324461	OR METRIC 0060-20 IN TERMOIL	
71	129535721	SCREW TSP3,5X9,5 DIN 7982 SS	
72	149200450	SUPPORT FOR ARTICULATED JOINT	
73	140329162	OR 117 IN SILICONE 70 SH	

Saeco SUP 021 YADR
INTERNATIONAL GROUP

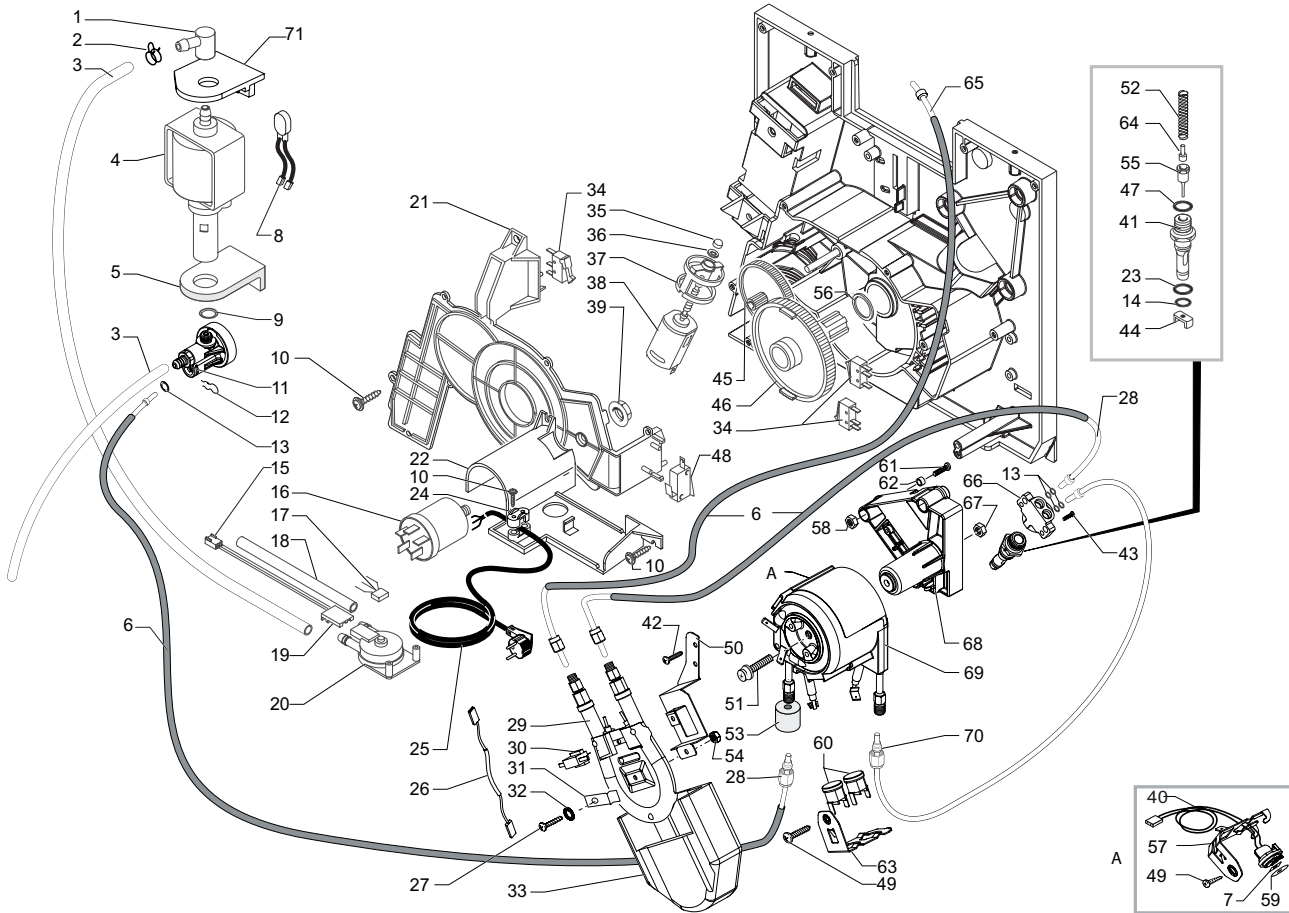


Saeco SUP 021YADR
INTERNATIONAL GROUP



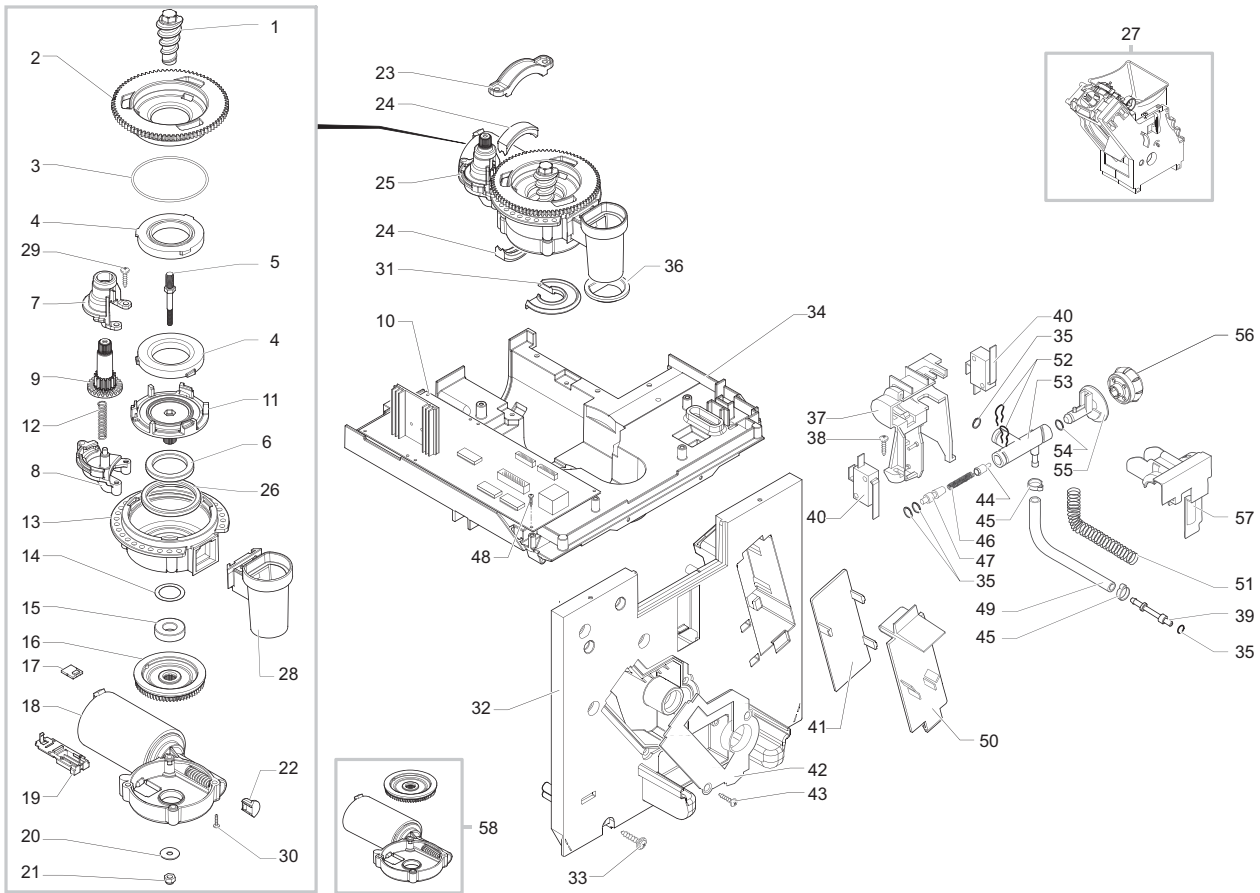
Cod. 7 4 08 23 - 24

POS	CODE	DESCRIPTION	NOTE	POS	CODE	DESCRIPTION	NOTE
74	148620900	SEMISPHERE SEAL FOR ARTICULAT.JOINT		110	145853260	GACO SEAL FOR COFFEE DISPENSER TUBE	
75	228982921	DOOR METALL SMART TRANSPARENT		111	140640200	CREAM ADJUSTMENT SHAFT	
76	229184704	COFFEE DISPENSER SUPPORT WITH HOLE		112	146680850	BLACK COFFEE MEASURE SMART	
77	223701050	BLACK COFFEE DISPENSER AS.SMART		113	222802400	GROUND COF.CONT.LID CLASSIC NATGREY	
78	147922249	CONNECTOR FOR ARTICULATED JOINT		114	147757800	BEAN CONT.PROTECT.SMART NATUR/GREY	
79	149261500	HOPPER GROUND COFFEE DOSER SMART					
80	145854962	SEAL FOR COFFEE DISPENSER V2 SMART					
81	145501211	RED FLOAT FOR DRIP TRAY SMART					
82	142714400	BEAN CONTAIN.NATURAL/GREY SMART DIG					
83	145896949	RETAINING INSERT TEFLON TUBE					
84	227701104	CREAM ADJUSTM.KNOB GLOSS CHR.PLATED					
85	142660259	GREY PHASE KEY COFFEE BREW UNIT MAGIC					
86	282800840	CUP WARMING LID SMART SSTEEL-SB	230V				
87	125743421	STAINLESS STEEL GRATE SMART					
88	0312.022	SEAL FOR VALVE CONTAINER					
89	228660204	CONNECTOR FOR STEAM TUBE					
90	145854360	GROUND COFFEE CONT.SEAL UPPER SMART1					
91	129740202	SCREW TSP PH/TT 4X10 UNI 8113 ZNP	WITH DOOR HINGE V2				
	129511921	SCREW TCB 2,9X6,4 DIN 7981 BZ SS	WITH DOOR HINGE V3 - KIT				
		FROM 9005SA40022837					
92	147623650	SQUARE ADHESIVE FOOT NB4256 BLACK					
93	220380259	ROTATING RING SMART WITH 3 FEET	WITH PART. N°92				
94	129562603	SCREW TSC PZ-B 2,9X9,5 UNI 6956 NI					
95	186401000	FLAT TABS 6,3 D=4,5 0010364200					
96	129533202	SCREW TSPTORX T10 3,5X9,5 D7982 NI					
97	229183550	SUPPOR.HINGE DOOR METAL.SMART BLACK	230V				
	229183552	SUPPOR.HINGE DOOR METAL.SMART BLACK	120V				
98	229183150	SUPPORT DOOR METALLIC SMART BLACK	230V				
	229183152	SUPPORT DOOR METALLIC SMART BLACK	120V				
99	129512503	SCREW TCB 2,9X9,5 DIN 7981 NICK					
100	149202300	REED SUPPORT SMART DIGITAL					
101	229200250	BLACK CAP FOR KNOB CREAM ADJUSTMENT					
102	122842121	EXTERNAL COVER ST.STEEL PANNAR.G100					
103	129571521	SCREW TCB PH/SW 3X18 UNI 8112 INOX					
104	147757050	STEAM TUBE PROTECTION					
105	140320762	OR 108 IN SILICONE					
106	222270249	UPPER TUBE ASS.FOR PANNARELLO					
107	142271350	BLACK INTERN.INP.TUBE PANNARELLO.G100					
108	228660304	CONNECTOR FOR STEAM TUBE					
109	149213450	CAP FOR COFFEE DISPENSER TUBE					



POS	CODE	DESCRIPTION	NOTE
01	147920150	90° CONNECTOR PUMP INLET	
02	184320200	SPRING HOSE CLAMP D=9,5MM	
03	149360200	SILICONE TUBE 5X8 70SR	
04	12000140	ULKA PUMP EP5/S GW	IN ROLL
	12000131	ULKA PUMP EP5/S	230V-50HZ
05	149185850	EATON PUMP SUPPORT MAGIC 4002012	
06	149361200	BLACK SILICON TUBE 7,5X9,3	IN ROLL
07	181553000	ELECTRONIC BOARD WITH SENSOR KTY	
08	0311.807	YELLOW HARNESS KLIXON JP 13\	230V
	2892201000	THERMAL. PROTECT 120 C CABLE.125/3	120V
	140321961	OR 2031 IN TERMOIL	
10	129670202	PANE. TCB SCREW 3,5X16 TESTA D=8 Z	
11	229452100	COMPENSATION AND SAFETY VALVE ASSY	
12	9011.144	FORK FOR TUBE D.4	
13	140328059	OR 2015 IN SILICONE PTFE/FDA	
14	NM01.057	OR ORM 0050-20 SILICONE	
15	283551300	3POLE CONNECT.AS.TURBINE JP18 SMART	
16	184651100	ANTIDISTURB FILTER 0,47X2+1000Y2+0,5L	230V
	184651500	ANTIDISTURB FILTER 16A FNC 1610474472A	120V
17		PARTICULAR NOT AVAILABLE	SEE PART. N°20
18	JS01.022	SILICONE TUBE 5X10 60 SHORE	IN ROLL
19	9161.018	FORK FOR WATERWHEEL	
20	286473300	-M-VDE TURBINE WITH SENSOR KIT	WITH PART. N°17
21	9161.331.920	RATIOMOTOR COVER TRANSPARENT	
22	149194800	TURBINE SUPPORT SMART	
23	NM01.035	OR ORM 0090-20 SILICONE	
24	148600600	CABLE CLAMP V0 MAGIC ESP COMBI UL	
25	183911550	POWER CABLE SCHUKO BLACK L=1500	
	183930850	BLACK POWER CABLE CH H05+3FAST.L=1500MM	
	183940950	BLACK POWER CABLE AUST.H05+3FAS.L=1500	
	183922450	P.CABLE S.JT 16AWG USA BLACK L=1500	
26	183440800	CABLE 1 WIRE SILIC.BLACK THERM/FUSE 229°	230V
	183441062	CABLE 1WIRE SILICON.BLACK AWG18+TH/FUSE	120V
27	129823802	TCB SCREW M4X8 UNI 7687 ZNP	
28	227874900	CONNECTOR AS.TEFLON 2X4 L=250 MM	
29	288140458	HEATING-ELEMENT BLECKMAN ASSY. 1000W	230V
	288140455	HEATING-ELEMENT BLECKMAN ASSY. 1000W	120V
30	189428300	THERMOSTAT 175° INTERCONTR.161471002	
31	127535319	THERMAL FUSE FIXING PLATE	
32	128310404	WASHER UNI 8842 A4 BURNISHED	
33	147755900	HEAT.ELEMENT PROTECTION BLECKMANN SMART	
34	NE05.038	MICROSWITCH	
35	9121.046	SINTERED BUSH FOR MOTOR	
36	148380200	WASHER BAKELIZZATE D=5,5	
37	9121.444	ANTIVIBRATION FOR MOTOR	
38	286892558	GENER.ASS.MOTOR 230V FOR RATIOMOTOR	230V
	286892555	GENER.ASS.MOTOR 120V FOR RATIOMOTOR	120V
39	123453602	FLANGE NUT M8 TOOTHED BASE GALV.	

POS	CODE	DESCRIPTION	NOTE
40	288582300	SENSOR ELECT.BOARD WITH CONNECTOR	
41	9011.100	PEG FOR VALVE IN PLASTIC	
42	129573402	SCREW TAPT M4X10 DIN 7985 GALV	
43	129910103	HI-LO TC SCREW 3,5X15 RIF.910189	
44	9011.099	CURSOR FOR BOILER VALVE IN PLASTIC	
45	9121.042	GEAR Z.12/90	
46	9121.069.150	GEAR Z.108 FOR MOUNTING PLATE M4000	
47	140320459	OR METRICO 0080-20 SILICON.PTFE/FDA	
48	186723800	MICROSWITCH SAIA X3M502K2KAM92AS	
49	129573202	SCREW TCB PH/TT 4X8 UNI 8112 ZNP	
50	129025002	BRACKET BOILER SMART SUPPORT	
51	129932202	ROUND HEAD SCREW 10,9 M5X20 GALV	
52	9011.132	SPRING FOR PIN	
53	147756562	PROTECTION FOR FOLK SPRING TUBE D=4	
54	U302.003	NUT HEXAGONAL M4 UNI 5588	
55	227660103	BRASS PISTON L=20,9 ASSY.	
56	9161.132	MYLAR WASHER FOR RATIOMOTOR	
57	126838217	SENSOR FIXING SPRING	UP TO S/N 005SA40230571
58	U310.003	NUT SELF LOCK.M5 UNI 7473	
59	145951600	ELECTRIC INSULATING DISK D=16	
60	189428200	THERMOSTAT 175° 1NT-08L-3704	
	189428600	THERMOSTAT 175° 1NT-08L-5125	
61	U044.020	SCREW TSP M5,0X30 UNI 7688 GALV.	UP TO S/N 005SA40230571
	129932502	SELF DRILLING SCREW 5X30 GALVANIZED	FROM S/N 9005SA40230572
62	9161.206	INSULATING SPACER FOR BOILER	
63	126838117	2 THERMOSTATS FIXING SPRING	
64	227480203	BRASS/NIK.PIN FOR PISTON L=20,9	
65	227875400	CONNECTOR AS.TEFLON 2X4 L=330 MM	
66	227900303	BRASS/NIK.CONNec.FOR BOILER SUPPORT	
67	123453902	SELF-LOCKI.NUT M5X0,8 DIN 980 CLA.8	
68	20000204	SPARES KIT SUPPORT BOILER SMART	UP TO S/N 005SA40230571
	149197700	SUPPORT FOR ALUMINIUM BOILER SMART	FROM S/N 9005SA40230572
69	282058858	ALUM.BOILER AS.WITH RESISTANCE	230V
	282058855	ALUM.BOILER AS.WITH RESISTANCE	120V
70	227876800	CONNECTOR AS.TEFLON 2X4 L=235 MM	
71	149205710	PUMP SUPPORT HOLE 13,2 RED	
	289435200	GENERAL TURBINE FOR SMART ASSY.	
	282135555	ALUM.BOILER 120V AS.WITH RESISTANCE	COMPLETE
	282135558	ALUM.BOILER 230V AS.WITH RESISTANCE	COMPLETE
		WITH PART. N° 7-13-14-23-28-40-41-43-44-47-49-51-52-53-55-57-58-59-60-63-64-66-67-68-69-70	



POS	CODE	DESCRIPTION	NOTE	POS	CODE	DESCRIPTION	NOTE
01	9141.001	SCREW OF INCREMENT		30	129661702	PANELVIT TCB SCREW 3,5X25 D.7505 ZN	
02	149198250	UPPER GRINDER SUPPORT COFFEEGRINDER		31	145854662	COFEGRIND.MOTOR ANTIVIBR.SEAL SMART	
03	140328960	NBR FDA OR METRIC 0530-15		32	227533000	ASSEMBLY BOILER SUPPORT PLATE SMART	
04	146520100	BAKED CLAY KLAGER GRINDER 48X28		33	129670202	PANE. TCB SCREW 3,5X16 TESTA D=8 Z	
05	127473603	PIN M4-M6 NICK.FOR INCREMENT SCREW		34	147532300	BLACK GRINDER SUPPORT PLATE SMART	
06	123030300	AXIAL BEARING EKKO 342.35252		35	140328059	OR 2015 IN SILICONE PTFE/FDA	
07	149199750	UPPER GEAR SUPPORT COFFEEGRINDER SMART		36	145854462	GROUND COFFEE CONT.SEAL LOWER SMART1	
08	149199850	LOWER GEAR SUPPORT COFFEEGRINDER SMART		37	149194500	FAUCET SUPPORT SMART	
09	146002150	COFFEE GRINDING ADJUSTMENT GEAR SMART		38	129660902	PANELVIT TCB SCREW 3,5X12 D.7505 Z	
10	11002813	ELECTRONIC BOARD POWER SIRIUS	230V	39	227961303	STRAIGHT CONNECTOR	
	181556155	ELECTRONIC BOARD POWER SIRIUS	120V	40	186724200	MICROSWITCH SAIA X3M502K2KAJ32AV	
11	149198350	LOWER GRINDER SUPPORT COFFEEGRINDER		41	9161.345.050	INT.COVERING BLACK PUMP SPACE	
12	126772918	SPRING FOR ADJUSTMENT GRINDING GEAR		42	9161.333.050	BOILER BLACK COVER	
13	142905450	UPPER BODY WITH COFFE.GROUND OUTLET		43	129535721	SCREW TSP3,5X9,5 DIN 7982 SS	
14	128381800	CRINKLE WASHER 21,8X15,8X0,2		44	227660303	BRASS PISTON L=15,1 ASSY.	
15	123030200	RADIAL BEARING 61900.2RS1		45	NF11.052	OETIKER CLIP	
16		PARTICULAR NOT AVAILABLE	SEE PART. N°58	46	126765317	STEEL SPRING BOIL. PISTON MAG.9011	
	226000300	GEAR SX Z=38 ASS.FOR GRINDER MOTION		47	229190503	CAP FOR FAUCET NESPRESSO BRASS/NIK.	
		FROM S/N 9005SA40370781		48	129660202	PANELVIT TCB SCREW 3X12 DIN 7505 Z	
		FROM S/N 9005SA40370782		49	JS01.019	SILIC. TUBE FABRIC FINISH 3X7	IN ROLL
17	181554200	ELECTRONIC BOARD WITH SENSOR HAL506 SF-K		50	9161.332.050	EXT.COVERING BLACK PUMP SPACE	
18		PARTICULAR NOT AVAILABLE	SEE PART. N°58	51	126772018	SPRING DI=7,5 FOR FABRIC FINISH TUB	
	286852058	MOTOR COFFEEGRINDER/V3 ASS.	230V	52	9011.144	FORK FOR TUBE D.4	
	11003243	MOTOR COFFEEGRINDER/V3 ASS.	120V	53	148440150	FAUCET BODY MOD.	
		FROM S/N 9005SA40370782 - ONLY 230V		54	140328561	OR D=4,18 X 1,90 IN TERMOIL	
		FROM S/N 9005SA40370782 - ONLY 120V		55	140640300	FAUCET SHAFT FOR SMART	
19	149199050	SENSOR SUPPORT FOR COFF.GRIND.MOTOR		56	227710904	STEAM KNOB ZAMAS CHROM.PLATED SMART	
20	128381902	FLAT WASH.DI=4,3 DE=14 SP=1,5 GALV.		57	147756400	PROTECTION FAUCET BODY WATER/STEAM	
21	123453102	SELF LOCK NUT M4 DIN 982 HIGH GALV.		58	20000202	SPARES KIT MOTOR COFFEEGRINDER/V3 230V	WITH PART. N°16 - 18
22	149214800	CAP FOR WORM SCREW MC/V3 CENTRING			20000410	SPARES KIT MOTOR COFFEEGRINDER/V3 230V	WITH PART. N°16 - 18
23	144752300	DEADLOCK MOTOR FLANGE SMART1				UP TO S/N 9005SA40370781 - ONLY 230V	
24	145854562	COFFEEGRIND.MOTOR SUPPORT SEAL SMART1				UP TO S/N 9005SA40370781 - ONLY 120V	
25	286884958	GENERAL MOTOR MC/V3 ASSY.	230V				
	11003242	GENERAL MOTOR MC/V3 ASSY.	120V				
26	140360500	FELT RING 45,4X39,4X4					
27	225802550	BREW UNIT WITH VALVE SMART	OTHER COUNTRY				
	225802650	BREW UNIT W/VALVE SMART/ELFO					
		(SEE COD. EXP. E90041)					
28	222870250	GROUND COFFEE OUTLET CONVEYOR ASSY.					
29	129660102	PANELVIT TCB SCREW 3,5X18 D.7505 Z					