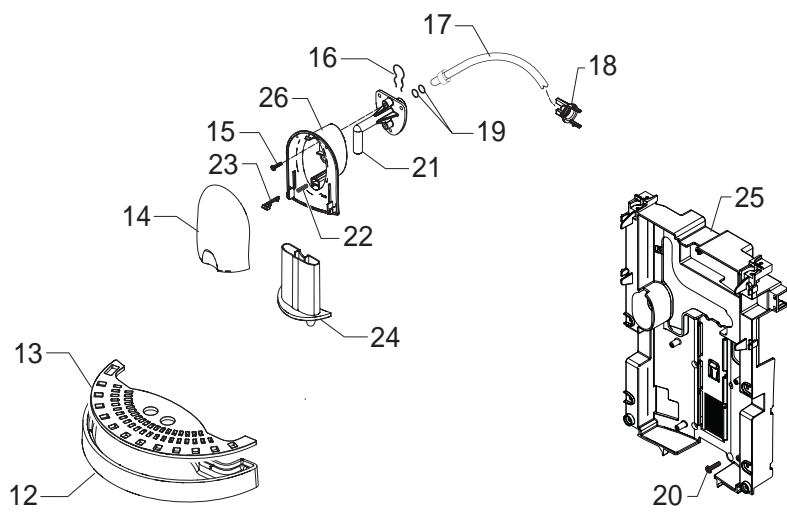
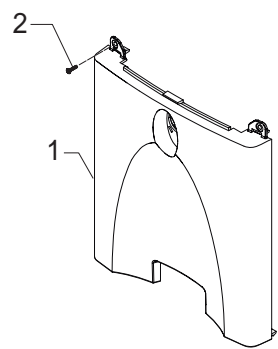
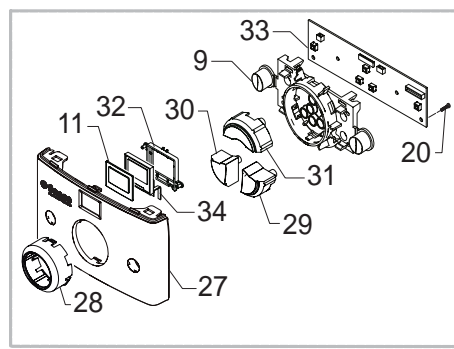
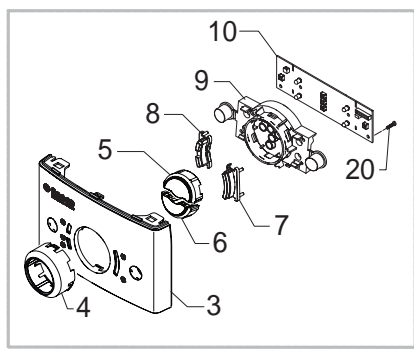


Saeco INTERNATIONAL GROUP
SUP035-SUP035DR

CE Cod. 10002735-2838-39-60
 Cod. 10003310

POS	CODE	DESCRIPTION	NOTE
01	15001649	INSTRUCTIONS MANUAL SAE S0053/C GB/F/E	
	15001689	INSTR.MANUAL SAECO S0053/A GB/F/E/JP/CHN	
	15002043	INSTRUCTIONS MANUAL SAE S0053/C GB/F	
02	11005044	SAECO KLUBER TRIBOSTAR SIL 2 TUBE 5GR.	
03	11003785	BLACK GRINDER ADJUSTMENT KEY P0049	
04	183911050	POWER CABLE SCHUKO BLACK L=1200	
	183921950	POWER CABLE SJT3 USA BLACK UL L=1200	
	11004246	BLACK POWER CABLE TAIWAN HVCTF L=1200	
	11004247	BLACK POWER CABLE RVV 3X1 CHINA L=1200MM	
	183980650	BLACK POWER CABLE JAPPON VCTF L=1200MM	
05	11007279	BLACK WATER TANK OUTLET COVER G0053	
	11009829	SILVER WATER TANK OUTLET COVER G0053	
06	13000695	CARTON INSERT FOR BOX S0053	
07	11008537	BLACK FRONT CASING S0053	
	11009809	SILVER FRONT CASING S0053	
08	11002017	TRANSPARENT WATER CONTAINER P0053 ASSY.	
09	224640200	EXTERNAL FILTER FOR WATER CONTAINER ASSY	WITH PART.N°10
10	140328461	EPDM OR METRIC 0190-10	
11	11003672	SPRING FOR WATER CONTAINER VALVE P0049	
12	11003673	GREY WATER CONTAINER VALVE INSERT P0049	
13	11003671	TRANSP.VALVE FOR WATER CONTAINER P0049	
14	11001298	BLACK LID FOR DUCKBILL VALVE P0049	
15	13000640	PS-E UPPER INSERT FOR BOX S0053	
16	13000631	PS-E LOWER INSERT FOR BOX S0053	
17	13000854	FLEXOGRAPHATE BOX S0053 SAECO ESPRES IT	
18	11011209	CPU+SW P0057 V1 ASSY.	230V
	11006345	CPU+SW AS.P0057 POP	100V-120V
19	11008531	TRANS/GREY BEAN COFFEE CONTAIN.LID S0053	
20	129661702	SCREW TCB TORX 3,5X30 PLAST.ZN-B	
21	11008533	NATUR/GREY BEAN CONTAINER PROTECT.S0053	
22	11001340	BLACK DOOR PIN P0049	
23	11009806	BLACK COVER CASING S0053	SUP035
	11009807	BLACK COVER CASING S0053	USA
	11013726	BLACK V2 COVER CASING S0053	JAP
24	11008956	SS SPRING FOR LOCK DOOR G0053	
25	11007251	BLACK LEFT SIDE CASING G0053	
	11009821	SILVER LEFT SIDE CASING G0053	
26	12000450	SCREW TCB TORX 10 3,5X12 PLAST.GALVANIZ	
27	11009770	GREY WATER-STEAM KNOB P0049	
	11004372	SILVER WATER-STEAM KNOB P0049	
28	11004687	MOUNTING PLATE WITH PIN P0049 PP+T ASSY.	

POS	CODE	DESCRIPTION	NOTE
29	11009301	MOUNTING PLATE WITH PIN P0049 UL ASSY.	
	12000280	CUP SOCKET EN 60320 C 13	
30	U140.001	SCREW TCB TORX 10 3,5X40 PLAST.ZN-N	
31	11007249	BLACK RIGHT SIDE CASING G0053	
31	11009820	SILVER RIGHT SIDE CASING G0053	
32	11007317	BLACK DOOR G0053	
	11009826	SILVER DOOR G0053	
33	11000223	BLACK WHEEL FOR CASING BOTTOM P124	
34	9161.111	MAGNET FOR FLOAT SUPERAUTOM.	
35	129913202	SCREW TCB TORX 10 3X8 PLAST.ZN-B	
36	11003533	BLACK DUMP BOX P0049 ASSY.	
37	11003154	BLACK REED SENSOR SUPPORT P0049	
38	11005046	BLACK INSIDE COVER DOOR G0053	
39	11008530	BLACK CLOSING CAP FOR CASING G0053	
	11009825	SILVER CLOSING CAP FOR CASING G0053	
40	11007312	BLACK DRIP TRAY COFFEE UNIT G0053	
	11009805	SILVER DRIP TRAY COFFEE UNIT G0053	
41	129914002	SCREW TCB TORX 10 3,5X16 PLAST.ZN-B	
42	11001668	NATURAL/GREY WATER CONTAINER LID P0053	
43	11010592	LWR INSULATE SHEET PWR ELECT.BOARD S0053	(ONLY 120V)
44	11008867	5P.CONNECT.RATIOMOTOR/DOOR/DUMPBOX S0053	
45	U043.004	ZN-B TCB SCREW M4X16	JAP
46	11013367	BLACK BEAN CONTAIN.FINGER PROTECT.S0053	JAP
47	11012466	BRASS BUSH BEAN CONT.FINGER PROTEC.P0057	JAP



SUPO35-SUP035DR



Cod. 10002735-2838-39-60
Cod. 10003310

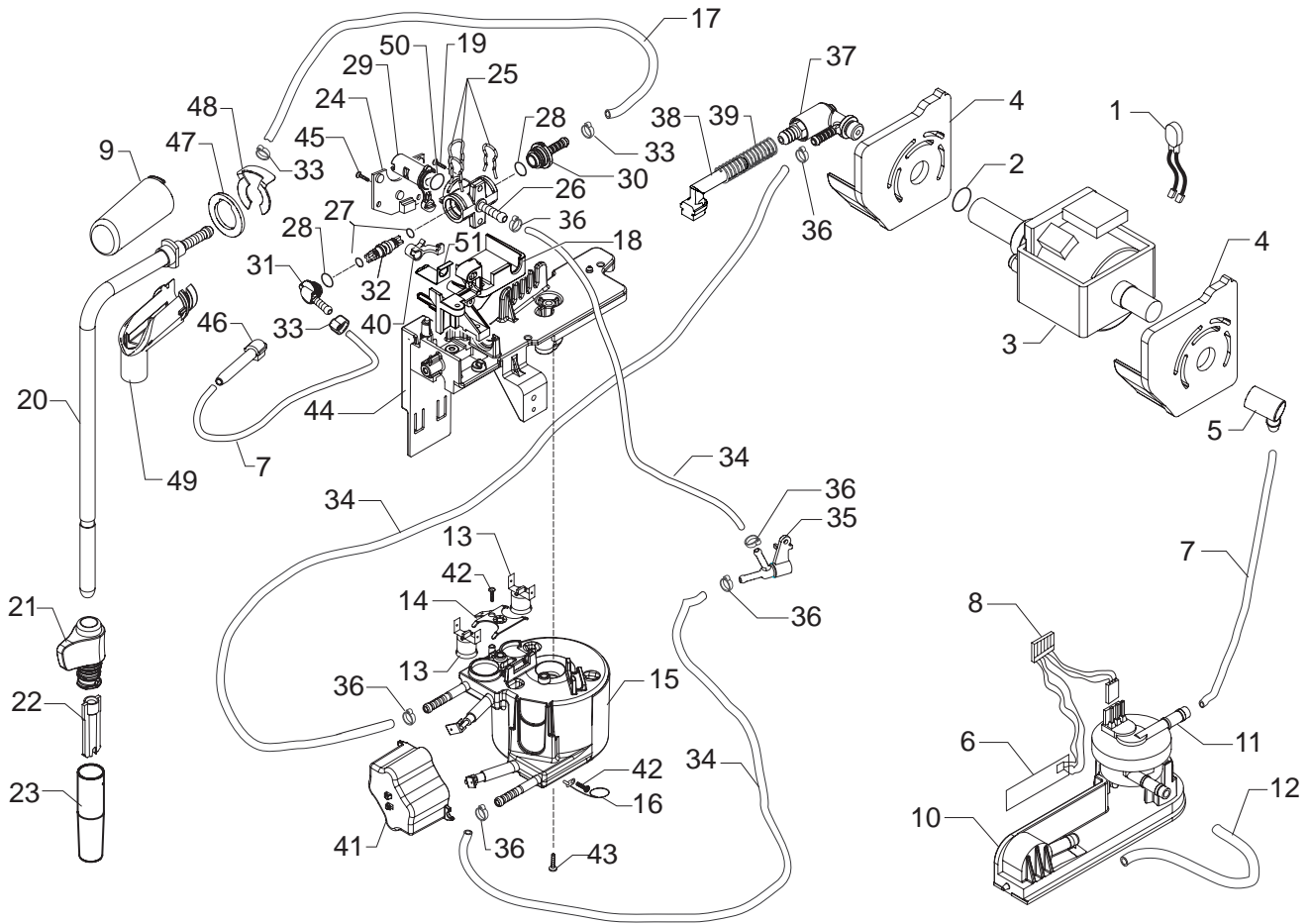
POS	CODE	DESCRIPTION	NOTE	POS	CODE	DESCRIPTION	NOTE
01	11008791	SILVER FRONT CASING COVER S0053	USA - JAP				
	11009831	BLACK FRONT CASING COVER S0053					
02	129912702	SCREW PT TORX 3X10 WN 1411 GALVANIZ					
03	11011801	GREY FRONT PANEL S0053/A S/SCR.SAECO					
04	11008821	GREY FRONT PANEL NUT S0053					
05	11008799	BLACK UPPER COFFEE BUTTON S0053/B S/SCR.					
06	11008800	BLACK LOWER COFFEE BUTTON S0053/B S/SCR.					
07	11008545	TRANSPARENT RIGHT LED COVER CAP S0053					
08	11008546	TRANSPARENT LEFT LED COVER CAP S0053					
09	11008790	BLACK BUTTONS SUPPORT S0053 S/SCREEN					
10	11008599	KEYBOARD S0053/A					
11	11008554	TRANSPARENT PLATE FOR DISPLAY S0053/C					
12	11008536	BLACK DRIP TRAY S0053					
	11009823	SILVER DRIP TRAY S0053	USA - JAP				
13	11008534	BLACK GRATE FOR DRIP TRAY S0053					
	11010010	BLACK GRATE FOR DRIP TRAY S0053					
14	11009834	SILVER FRONT COFF.DISPENSER COVER S0053	USA - JAP				
	11009835	BLACK FRONT COFFEE DISPENSER COVER S0053					
15	129661902	TCB SCREW 3,5X18 PLASTITE 45°					
16	9011.144	FORK FOR TUBE D.4					
17	11009297	TEFLON TUBE 2X4 L=155 MM ASSY.					
18	11006504	BLACK TUBE TEFLON INSERT G0053					
19	140328059	OR 2015 IN SILICONE PTFE/FDA					
20	12000450	SCREW TCBR TORX 10 3,5X12 PLAST.GALVANIZ					
21	11008541	BLACK COFFEE DISPENSER TUBE S0053					
22	126772718	SPRING FOR DOOR P107					
23	145898300	GREY RETAINING INSERT COFFEE DISPENSER					
24	11008543	BLACK MOBILE BODY COFFEE DISPENSER S0053					
	11004741	BLACK DRIP TRAY GUIDE G0053	USA				
	11009286	BLACK DRIP TRAY GUIDE G0053 UL					
26	11008540	BLACK DISPENSING SUPPORT S0053					
27	11011876	BLACK FRONT PANEL S0053/C S/SCR.SAECO					
28	11008804	SILVER FRONT PANEL NUT S0053					
29	11008802	BLACK RIGHT LOWER COF.BUTTON S0053/C S/S					
30	11008803	BLACK LEFT LOWER COF.BUTTON S0053/C S/SC					
31	11008801	BLACK UPPER AROME BUTTON S0053/B S/SCR.					
32	11008582	BLACK DISPLAY SUPPORT S0053/C					
33	11007146	KEYBOARD S0053/C	USA - JAP				
34	12000970	DISPLAY CMG117847Z01 S0053/C					



ESPRESSO ITALIANO - DGT RS

Rev. 01 - 22/01/10

TABLE 2/6

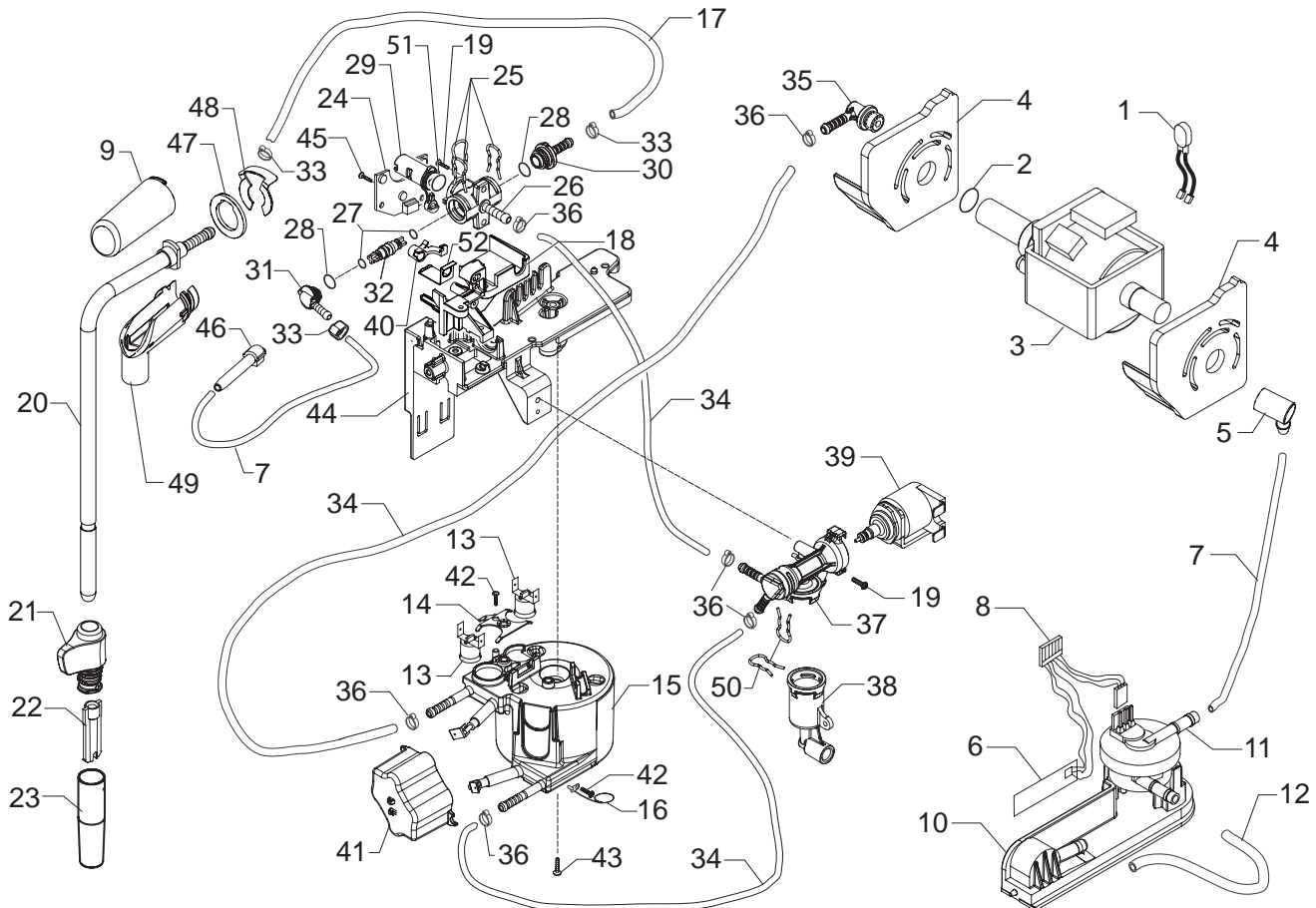


Saeco SUP035
INTERNATIONAL GROUP



Cod. 10002735-2838-39-60
Cod. 10003310

POS	CODE	DESCRIPTION	NOTE	POS	CODE	DESCRIPTION	NOTE
01	11005668	2POLES CONNECTOR PUMP P0049 UL		37	11010166	SAFETY VALVE 16-18 BAR V2 P0049 ASSY.	
02	140321961	OR 2031 IN TERMOIL		38	11001629	PUMP DESCARGING WATER CONNECTION P0049	
03	12000140	ULKA PUMP EP5/S GW	230V-50HZ	39	11005003	DESCARGING WATER CONNECTOR SPRING P0049	
	12000142	ULKA PUMP EAP5/S	120V-60HZ	40	11008876	BRASS FAUCET BLOCK INSERT P0049/A	
04	11006296	BLACK PUMP SUPPORT P0049 ASSY.		41	11005284	BLACKBOILER CONNECTORS COVER P0049/P0053	
05	147920150	90°CONNECTOR PUMP INLET		42	129573202	SCREW TCB PH/TT 4X8 UNI 8112 ZNP	
06	11000651	WATER LEVEL SENSOR BOARD P124		43	129932502	SCREW TCEI 5X30 PLAST.ZN-B	
07	149360200	SILICONE TUBE 5X8 70SR	IN ROLL	44	11001332	BLACK BOILER-FAUCET-VALVE SUPPORT P0049	
08	11008906	3 POLES CONNECT.FLOWMETER S0053 UL		45	129913202	SCREW TCB TORX 10 3X8 PLAST.ZN-B	
09	142853850	BLACK COVER CONNECTOR STEAM TUBE SMART		46	11001630	MILK ISLAND DESCARGING WATER CONNECTION	
10	11003670	BLACK TURBINE SUPPORT V2 P0049		47	11001624	STEAM TUBE WASHER P0049	
11	12000781	TURBINE D=1,2 932-8521/90 ASSY.		48	NF11.084	FOLK SPRING	
12	JS01.022	SILICONE TUBE 5X10 60 SHORE	IN ROLL	49	147921750	BLACK CONNECTOR STEAM TUBE SMART	
13	189428600	THERMOSTAT 175° 1NT-08L-5125		50	140321861	OR 2025 IN EPDM	
	12001034	THERMOSTAT ONE SHOT 175° FROM S/N.9008SR40100446		51	11002957	SS.FAUCET FOR SPRING P0049	
14	11001751	THERMOSTATES SPRING FOR BOILER			11008698	TEA/BRASS FAUCET P0049-P0053 ASSY. WITH PART. N°25-26-27-28-29-30-31-32-50-51	
15	11011341	ALUM.BOILER/V4 ASSY.	230V-1300W		11007206	ALUM.BOILER G0053/P 230V ASSY.	COMPLETE
	11011342	ALUM.BOILER/V4 ASSY.	120V-1300W		11010838	ALUM.BOILER G0053/P 120V ASSY.	COMPLETE
16	190800100	TEMPERATURE SENSOR NTC UL L=280MM					
17	16000170	WHITE BRAIDED SILICON TUBE 3X6	IN ROLL				
18	11006022	BLACK FAUCET SUPPORT G0053					
19	129913902	SCREW TCB TORX 10 3X12 PLAST.ZN-B					
20	11008806	ST.STEEL STEAM TUBE S0053 ASSY.					
21	11007194	BLACK STEAM TUBE HANDGRIP G0053					
22	11001620	PANNARELLO INTERNAL TUBE P0049					
23	11001769	BLACK COVER PANNARELLO P0049					
24	11007569	TAP ELECTRONIC CARD G0053 ASSY.					
25	11001499	FORK SPRING FOR FAUCET P0049					
26	11004625	TEA/BRASS FAUCET CASING P0049					
27	12000890	OR 2012 IN EPDM FDA 70 SH					
28	12000931	OR 108 IN EPDM FDA 70 SH					
29	11004135	PLAST/BRASS FAUCET SHAFT P0049 ASSY.					
30	11001546	FAUCET STRAIGHT CONNECTOR P0049					
31	11001544	BLACK FAUCET CONNECTOR P0049					
32	11004134	TEA/BRASS FAUCET SHAFT P0049					
33	NF11.052	OETIKER CLIP					
34	16000380	5X8,9 SILICONE TUBE	IN ROLL				
35	11001330	BLACK CONNECTOR FOR PIN BOILER P0049					
36	12000892	OETIKER CLAMP D=9,5 16700004					

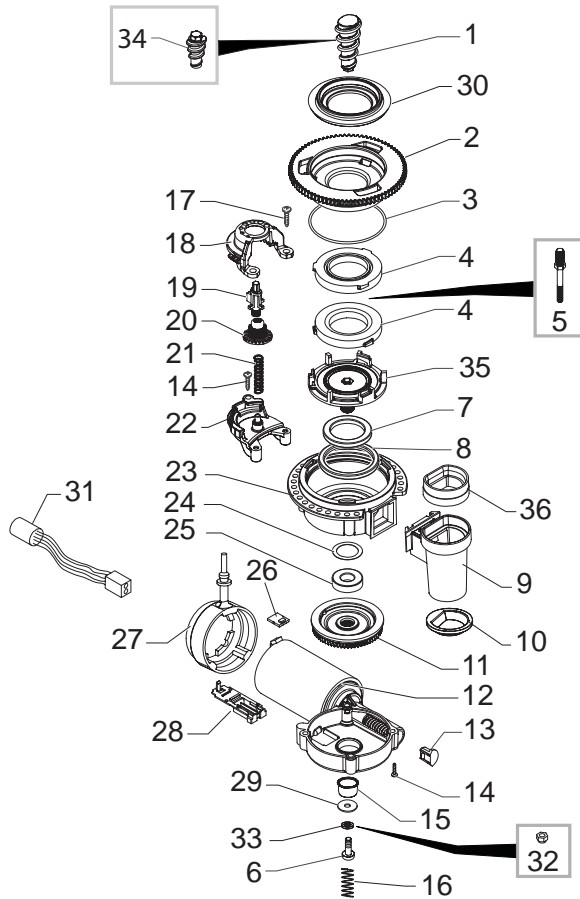


Saeco SUP035DR
INTERNATIONAL GROUP

CE Cod. 10002735-2838-39-60
Cod. 10003310

POS	CODE	DESCRIPTION	NOTE
01	11005668	2POLES CONNECTOR PUMP P0049 UL	
02	140321961	OR 2031 IN TERMOIL	
03	12000142	ULKA PUMP EAP5/S	120V-60HZ
	12000130	ULKA PUMP EP5/S GW	100V-50/60HZ
04	11006296	BLACK PUMP SUPPORT P0049 ASSY.	
05	147920150	90°CONNECTOR PUMP INLET	
06	11000651	WATER LEVEL SENSOR BOARD P124	
07	149360200	SILICONE TUBE 5X8 70SR	IN ROLL
08	11008906	3 POLES CONNECT.FLOWMETER S0053 UL	
09	142853850	BLACK COVER CONNECTOR STEAM TUBE SMART	
10	11003670	BLACK TURBINE SUPPORT V2 P0049	
11	12000781	TURBINE D=1,2 932-8521/90 ASSY.	
12	JS01.022	SILICONE TUBE 5X10 60 SHORE	IN ROLL
13	189428600	THERMOSTAT 175° 1NT-08L-5125	
		UP TO S/N.9008SR40100445	
	12001034	THERMOSTAT ONE SHOT 175°	
		FROM S/N.9008SR40100446	
14	11001751	THERMOSTATES SPRING FOR BOILER	
15	11011342	ALUM.BOILER/V4 ASSY.	120V-1300W
	11011346	ALUM.BOILER/V4 ASSY.	100V-1100W
16	190800100	TEMPERATURE SENSOR NTC UL L=280MM	
17	16000170	WHITE BRAIDED SILICON TUBE 3X6	IN ROLL
18	11006022	BLACK FAUCET SUPPORT G0053	
19	129913902	SCREW TCB TORX 10 3X12 PLAST.ZN-B	
20	11008806	ST.STEEL STEAM TUBE S0053 ASSY.	
21	11007194	BLACK STEAM TUBE HANDGRIP G0053	
22	11001620	PANNARELLO INTERNAL TUBE P0049	
23	11001769	BLACK COVER PANNARELLO P0049	
	11011504	TF/CHROM.PANNARELLO COVER P0049	
24	11007569	TAP ELECTRONIC CARD G0053 ASSY.	
25	11001499	FORK SPRING FOR FAUCET P0049	
26	11004625	TEA/BRASS FAUCET CASING P0049	
27	12000890	OR 2012 IN EPDM FDA 70 SH	
28	12000931	OR 108 IN EPDM FDA 70 SH	
29	11004135	PLAST/BRASS FAUCET SHAFT P0049 ASSY.	
30	11001546	FAUCET STRAIGHT CONNECTOR P0049	
31	11001544	BLACK FAUCET CONNECTOR P0049	
32	11004134	TEA/BRASS FAUCET SHAFT P0049	
33	NF11.052	OETIKER CLIP	
34	16000380	5X8,9 SILICONE TUBE	IN ROLL
35	11001054	90°CONNECTOR PUMP OUTLET P0049/B	

POS	CODE	DESCRIPTION	NOTE
36	12000892	OETIKER CLAMP D=9,5 16700004	
37	20000591	BLOWDOWN VALVE CASING P0049 ASSY.	
38	20000592	BLOWDOWN VALVE CONNECTOR P0049 ASSY.	
39	20000680	BLOWDOWN VALVE COIL P0049 ASSY.	120V
	20000681	BLOWDOWN VALVE COIL P0049 ASSY.	100V
40	11008876	BRASS FAUCET BLOCK INSERT P0049/A	
41	11005284	BLACKBOILER CONNECTORS COVER P0049/P0053	
42	129573202	SCREW TCB PH/TT 4X8 UNI 8112 ZNP	
43	129932502	SCREW TCEI 5X30 PLAST.ZN-B	
44	11001332	BLACK BOILER-FAUCET-VALVE SUPPORT P0049	
45	129913202	SCREW TCB TORX 10 3X8 PLAST.ZN-B	
46	11001630	MILK ISLAND DESCARGING WATER CONNECTION	
47	11001624	STEAM TUBE WASHER P0049	
48	NF11.084	FOLK SPRING	
49	147921750	BLACK CONNECTOR STEAM TUBE SMART	
50	11005096	FORK SPRING FOR VALVE P0049	
51	140321861	OR 2025 EPDM	
52	11002957	SS.FAUCET FOR SPRING P0049	
	11008698	TEA/BRASS FAUCET P0049-P0053 ASSY.	
		WITH PART. N°25-26-27-28-29-30-31-32-51-52	
	11005604	BLOWDOWN VALVE P0049 120V ASSY.	
	11005751	BLOWDOWN VALVE P0049 100V ASSY.	
		WITH PART.N°37-38-39-50	
	11010881	ALUM.BOILER S0053/B-C 120V ASSY.	COMPLETE
	11010886	ALUM.BOILER S0053/B-C 100V ASSY.	COMPLETE



Saeco INTERNATIONAL GROUP
SUPO35-SUP035DR



Cod. 10002735-2838-39-60
Cod. 10003310

POS	CODE	DESCRIPTION	NOTE
01	9141.001	BRASS INCREMENT SCREW MC UP TO S/N. 9009SR40026112	
	11011205	TEA/ZAMA INCREASE SCREW GRINDER FROM S/N.9009SR40026113	
02	149198250	UPPER GRINDER SUPPORT COFFEEGRINDER	
03	140328960	NBR FDA OR METRIC 0530-15	
04	146520100	BAKED CLAY GRINDER 48X28	
05	127473603	STEEL PIN M4-M6 FOR INCREMENT SCREW UP TO S/N. 9009SR40026112	
06	129574802	SCREW TCB TORX 20 M4X30 ZN-B FROM S/N.9009SR40026113	
07	123030300	AXIAL BEARING EKKO 342.35252	
08	140360500	FELT RING 45,4X39,4X4	
09	11012564	GROUND COFFEE OUTLET CONVEYOR V2 ASSY	
10	145854462	GROUND COFFEE CONT.SEAL LOWER SMART1	
11	226000300	GEAR SX Z=38 FOR GRINDER MOTION ASSY.	
12	11000513	MOTOR COFFEEGRINDER/V3.1 DOMEL ASSY	230V
	11000511	MOTOR COFFEEGRINDER/V3.1 DOMEL ASSY	120V
	11000512	MOTOR COFFEEGRINDER/V3.1 DOMEL ASSY	100V
13	149214800	CAP FOR WORM SCREW MC/V3 CENTRING	
14	129661702	SCREW TCB PH 3,5X30 PLAST.ZN-B	
15	11002873	INSULATOR BUSH FOR GRINDER MOTOR P124	
16	11000597	COFFEE GRINDER SUPPORT SPRING P124	
17	129914002	SCREW TCB TORX 10 3,5X16 PLAST.ZN-B	
18	11002508	UPPER GEAR SUPPORT COFFEEGRINDER P124	
19	11003446	BLACK INSERT FOR COFFEE GRINDER P0049	
20	11003784	COFFEE GRINDING ADJUSTMENT GEAR P0049	
21	11002572	GRINDER REGULATION SPRING P124	
22	11002613	LOWER GEAR SUPPORT COFFEEGRINDER P124	
23	142905450	UPPER BODY WITH COFFE.GROUND OUTLET	
24	128381800	CRINKLE WASHER 21,8X15,8X0,2	
25	123030200	RADIAL BEARING 61900.2RS1	
26	181540900	ELECTRONIC BOARD WITH SENSOR HAL506	
27	11001367	BLACK COFFEE GRINDER SUPPORT P0049	
28	149199050	SENSOR SUPPORT FOR COFF.GRIND.MOTOR	
29	128381902	GALVAN.FLAT WASH.DI=4,3 DE=14 SP=1,5	
30	145857062	COFFEE GRINDER SEAL P119	
31	11008871	3 POLES CONNECTOR MC SENSOR S0053 UL	
32	123453102	SELF LOCK NUT M4 DIN 982 HIGH GALV. UP TO S/N. 9009SR40026112	

POS	CODE	DESCRIPTION	NOTE
33	128310402	GALV.WASHER UNI 8842 A4 FROM S/N.9009SR40026113	
34	11010031	TEA/ZAMA INCREASE SCREW GRINDER	(ONLY V2 100V)
35	149198350	LOWER GRINDER SUPPORT COFFEEGRINDER	
36	145854360	GROUND COFFEE CONT.SEAL UPPER SMART1	
	11008943	GENERAL MOTOR MC S0053 230V ASSY.	
	11010837	GENERAL MOTOR MC S0053 120V ASSY.	
	11021815	GENERAL MOTOR MC V2 S0053 100V ASSY.	(ONLY V2 100V)

