

Saeco SIN026X
INTERNATIONAL GROUP



Cod. 10001542-43-2410-11-2574-75

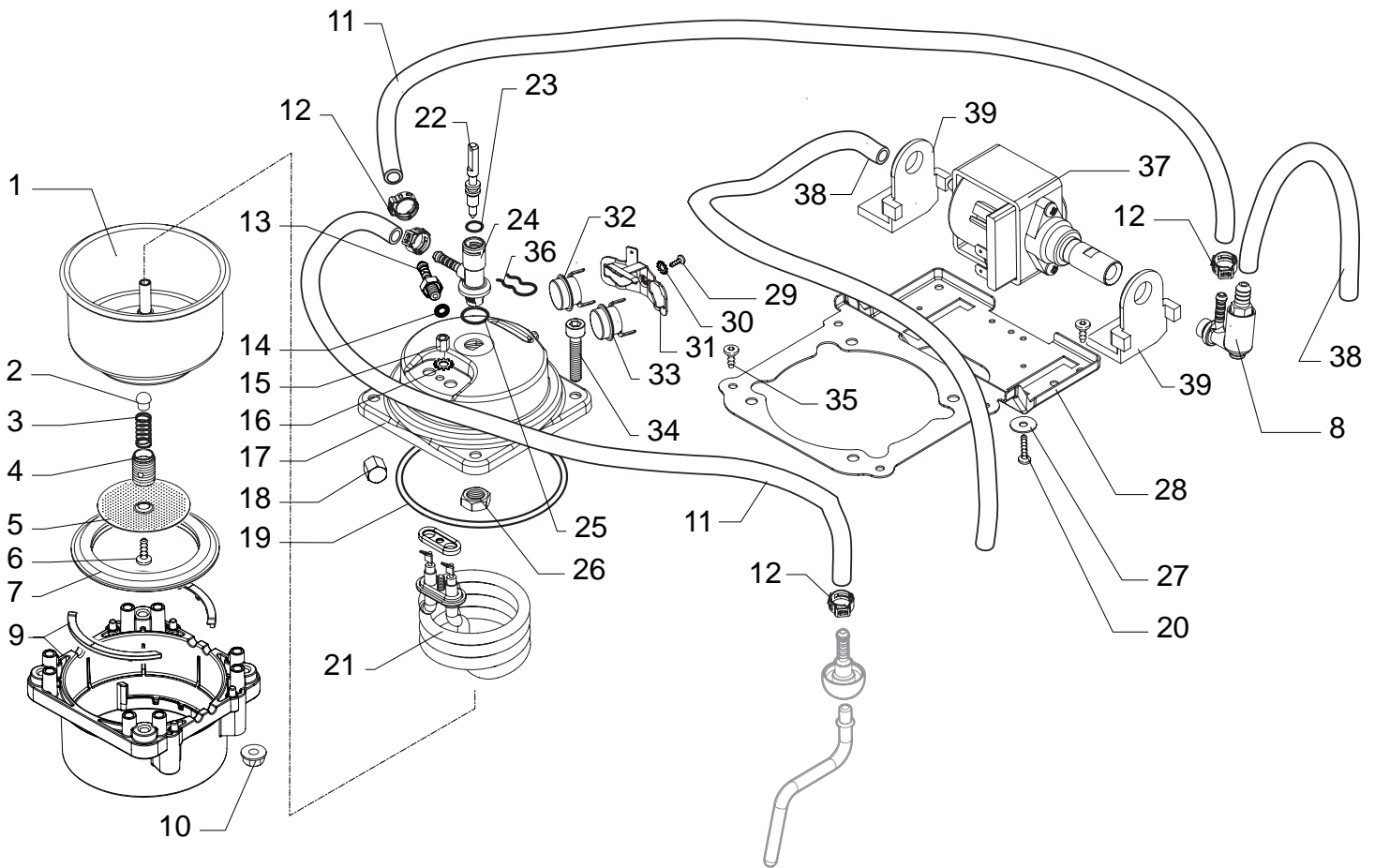
| POS | CODE | DESCRIPTION | NOTE | POS | CODE | DESCRIPTION | NOTE |
|-----|------------|---|-----------------|-----|-----------|--|-----------------|
| 01 | 11006318 | CONVEYOR SEAL FOR FILTERHOLD. PRES/SCR | | 36 | 13000666 | CARDBOARD LOWER INSERT FOR BOX P234 | |
| 02 | NF08/005 | TWO CUPS FILTER 12/14 GR. | | 37 | 13000691 | CARDBOARD LEFT INSERT FOR BOX P234 | |
| 03 | 11005535 | FILTER FOR POD | | 38 | 13000570 | DISPLAY BOX P234 | |
| 04 | 11009765 | CARBONA FILTERHOLDER P234 ASSY. VEDI COD. ESPLOSO E90061 | | 39 | 15001190 | MANUAL INSTRUCT 8 LANGUAGES | 230V 120V |
| 05 | 11005799 | CARBONA WATER-STEAM KNOB P234 | | | 15001465 | INSTRUCT.MANUAL 3 LANGUAGES | |
| 06 | 11007900 | SILVER UPPER CASING COVER P234 S/SCR.CAP | | 40 | 129912104 | SCREW TORX 4X10 UNI 9786 GALVANIZED | |
| | 11008825 | SILVER UPPER CASING COVER P234 S/SCREEN | | 41 | 11005785 | CARBONA CASING P234 | |
| 07 | 11005885 | TRANSP/ORANGE DRIVERS RING P234 | | 42 | 146680150 | BLACK COFFEE MEASURE | |
| 08 | 129912504 | SCREW TCBR TORX 10 3,5X14 PLAST.ZN-N | | 43 | 227910650 | 90 DEG CONN. (FIXED) CAPPUCCINAT.BLACK | |
| 09 | 11005787 | SILVER GRATE FOR DRIP TRAY P234 | | 44 | 222520550 | SPHERICAL CAPPUCCINATORE ASS.BLACK | NINA CAPPUCCINO |
| 10 | 11005786 | CARBONA DRIP TRAY P234 | | 45 | 149360400 | TRANSPARENT SILCONE TUBE 3,5X6 IN ROLL | |
| 11 | 11007904 | CARBONA SPACER FOR DRIP TRAY P234 | | 46 | 11001977 | BLACK GEN.SPHERICAL CAPPUCCINATORE AS. | |
| 12 | 11007902 | YELLOW LEFT SIDE CASING P234 | | 47 | 11009485 | INSULATE PROTECTION FOR SWITCH P234 | |
| | 11007738 | CARBONA LEFT SIDE CASING P234 | | 48 | 13000642 | CARDBOARD CENTRAL INSERT FOR BOX P234 | |
| 13 | 129660302 | PANELVIT TCB SCREW 3X10 DIN 7505 Z | | 49 | 12000861 | ORANGE LAMP EL/F-MOD.7 | 230V 120V |
| 14 | DM0814 | SPRING FOR KNOB | | | 12001042 | ORANGE LAMP EL/F-MOD.7 | |
| 15 | 147622800 | TRANSPARENT FOOT | | 50 | 11005883 | CARBONA DRIVERS KNOB P234/M S/SCREEN | |
| 16 | 12000824 | ROTARY SWITCH FOR P234 | | 51 | 11007903 | WHITE DRIVERS SUPPORT P234/M | |
| 17 | 11008410 | NATURAL/TRANSP.WATER CONTAINER P234 AS. | | | | | |
| 18 | 224640200 | EXTERNAL FILTER FOR WATER CONTAINER AS. | WITH PART. N°19 | | | | |
| 19 | 140328461 | EPDM OR METRIC 0190-10 | | | | | |
| 20 | 11003672 | SPRING FOR WATER CONTAINER VALVE P0049 | | | | | |
| 21 | 11003673 | GREY WATER CONTAINER VALVE INSERT P0049 | | | | | |
| 22 | 11003671 | TRANSP.VALVE FOR WATER CONTAINER P0049 | | | | | |
| 23 | 11001298 | BLACK LID FOR DUCKBILL VALVE P0049 | | | | | |
| 24 | 148600600 | CABLE CLAMP V0 MAGIC ESP COMBI UL | | | | | |
| 25 | 4332055000 | SUPPORT FOR SPHERAL UNION | | | | | |
| 26 | 5332004000 | ON-OFF BIPOL.SWITCH 122C1N2X001 | | | | | |
| 27 | 4332049000 | UNION SPHERAL GRIVORY | | | | | |
| 28 | DM0041/088 | O-RING GASKET 2025 EPDM | | | | | |
| 29 | AM0011/01 | TUBE STEAM LOWER CHROMATE | | | | | |
| 30 | 4332050000 | COUPLING FOR SPHERIC UNION | | | | | |
| 31 | 227431350 | BLACK/BLACK PANNARELLO G100 ASSY. | | | | | |
| 32 | 11007901 | YELLOW RIGHT SIDE CASING P234 | | | | | |
| | 11007737 | CARBONA RIGHT SIDE CASING P234 | | | | | |
| 33 | 11007477 | BLACK POWER CABLE SCHUKO L=1700 | | | | | |
| | 11008365 | BLACK POWER CABLE CH L=1700 | | | | | |
| | 11009447 | BLACK POWER CABL. USA SJT 3X18AWG L=1700 | | | | | |
| 34 | 13000552 | CARDBOARD UPPER INSERT FOR BOX P234 | | | | | |
| 35 | 13000553 | CARDBOARD RIGHT INSERT FOR BOX P234 | | | | | |

Saeco
INTERNATIONAL GROUP

NINA & NINA CAPPUCCINO

Rev. 00 - 04/12/07

TAVOLA 1/2



Saeco SIN026X
INTERNATIONAL GROUP



Cod. 10001542-43-2410-11-2574-75

| POS | CODE | DESCRIPTION | NOTE | POS | CODE | DESCRIPTION | NOTE |
|-----|---------------|--|------------|-----|------|-------------|------|
| 01 | 11004588 | SS.LOWER BOILER CASING NEWGEN/BASE AS. | | | | | |
| 02 | EF0012 | SEAL FOR VALVE | | | | | |
| 03 | EF0013 | SPRING FOR BOILER VALVE | | | | | |
| 04 | 11000996 | BRASS VALVE HOLD SCREW SS.BOIL. NEWGEN | | | | | |
| 05 | 11001471 | PERCOLATOR DE =49,5 SS BOILER NEWGEN | | | | | |
| 06 | DI7987-5X8I | SCREW TSP M5X8 UNI 7688 DIN 965 INOX | | | | | |
| 07 | 11004543 | FILTERHOLD SEAL SS.BOILER NEWGEN/BASE | | | | | |
| 08 | 11004689 | SAFETY VALVE 16-18 BAR P0049 ASSY. | | | | | |
| 09 | 11005078 | FILTERH.RETAINING RING SS.BOILER NEWGEN | 230V | | | | |
| | 11007503 | FILTERH.RETAIN.RING SS.BOILER NEWGEN S/S | 120V | | | | |
| 10 | 123270102 | NUT M6 FLANGED TOOTHED BASE GALV | | | | | |
| 11 | 16000380 | 5X8,9 SILICONE TUBE IN ROLL | | | | | |
| 12 | 12000892 | OETIKER CLAMP D=9,5 16700004 | | | | | |
| 13 | 11000998 | BRASS FAUCET CONNECTOR SS BOILER NEWG. | | | | | |
| 14 | 140320662 | OR 106 IN SILICONE | | | | | |
| 15 | 11001465 | BRASS NUT FOR STAINL.STEEL NEWGEN BOIL. | | | | | |
| 16 | 128310402 | GALV.WASHER UNI 8842 A4 | | | | | |
| 17 | 11001462 | STAINL.STEEL UPPER BOILER CASING NEWGEN | | | | | |
| 18 | 11001000 | BRASS NOZZLE SS.BOILER NEWGEN | | | | | |
| 19 | 12000087 | OR METRIC 0850-30 IN SILICONE | | | | | |
| 20 | U109.013 | SCREW AUT.TCB 3,5X13 DIN 7981 C | | | | | |
| 21 | 11001002 | HEAT ELEMENT SS.BOILER NEWGEN | 230V-1000W | | | | |
| | 11004509 | HEAT ELEMENT SS.BOILER NEWGEN | 120V-1000W | | | | |
| 22 | 11001003 | BRASS FAUCET SHAFT SS.BOILER NEWGEN | | | | | |
| 23 | WGADM0041/031 | OR 2018 IN VITON 70SH | | | | | |
| 24 | 11000995 | BRASS FAUCET SS BOILER NEWGEN | | | | | |
| 25 | 140323062 | OR 2043 IN SILICONE | | | | | |
| 26 | 123390109 | TEA/BRASS NUT 1/8 GAS H=6 CH=14 | | | | | |
| 27 | U207.004 | PLAIN WASHER 4,3X16 UNI 6592 GAL | | | | | |
| 28 | 11005070 | STEEL BOILER SUPPORT P236 | | | | | |
| 29 | 129821402 | TCB SCREW M3X4 UNI 7687 ZNP | | | | | |
| 30 | 128310304 | WASHER UNI 8842 A3 BURNISHED | | | | | |
| 31 | 11000994 | THERMOST.FIXER SPRING SS.BOILER NEWGEN | | | | | |
| 32 | 12000160 | THERMOSTAT 95° US-622AXTDNO | | | | | |
| 33 | 12000161 | THERMOSTAT 127° US-622AXTDNO | | | | | |
| 34 | U023.022 | SCREW TCEI M6,0X30 UNI 5931 | | | | | |
| 35 | 129912104 | SCREW TORX 4X10 UNI 9786 GALVANIZED | | | | | |
| 36 | 9011.144 | FORK FOR TUBE D.4 | | | | | |
| 37 | 12000140 | ULKA PUMP EP5/S GW | 230V-50HZ | | | | |
| | 12000142 | ULKA PUMP EAP5/S | 120V-60HZ | | | | |
| 38 | JS01.022 | SILICONE TUBE 5X10 60 SHORE IN ROLL | | | | | |
| 39 | 149205850 | BLACK PUMP SUPPORT TYPE ULKA | | | | | |

Saeco
INTERNATIONAL GROUP

NINA & NINA CAPPUCCINO

Rev. 00 - 04/12/07

TAVOLA 2/2