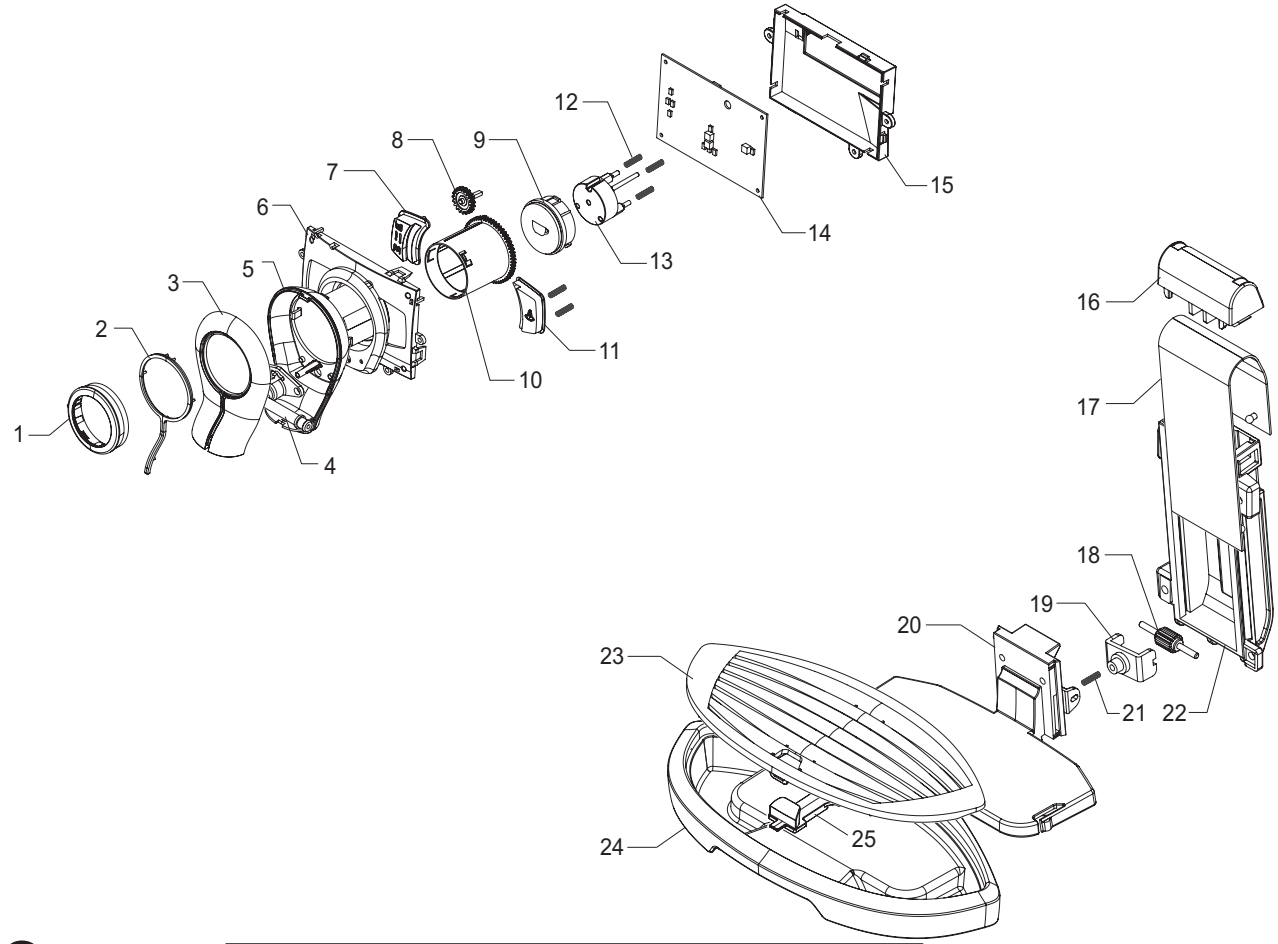


Saeco SUP0310
INTERNATIONAL GROUP

CE Cod. 1000205-248-1592
1593-94-95-96-97-98-99

POS	CODE	DESCRIPTION	NOTE	POS	CODE	DESCRIPTION	NOTE
01	15000267	MANUAL INSTRUCTIONS SAECO P0049/A NL/PL		31	11002842	BLACK POWER BOARD PROTECTION P0049	
	15000720	MANUAL INSTRUCTIONS SAECO P0049/A D/I		32	11001360	PWR BOARD P0049/P0053	230V
	15000721	MANUAL INSTRUCTIONS SAECO P0049/A GB/F			11003968	PWR BOARD P0049/P0053	100-120V
	15000722	MANUAL INSTRUCTIONS SAECO P0049/A E/P		33	9161.111	MAGNET FOR FLOAT SUPERAUTOM.	
02	127390100	BRUSH FOR CLEANING		34	11001362	SPRING FOR LOCK P0049	
03	11003785	BLACK GRINDER ADJUSTMENT KEY P0049		35	11001340	BLACK DOOR PIN P0049	
04	183911050	POWER CABLE SCHUKO BLACK L=1200		36	11004578	CARBONA DOOR P0049	
	183930650	PO.CABL.CH BLACK 3X1 H05VV-F L=1200		37	11001091	BLACK INSIDE COVER DOOR P0049	
	183921950	POWER CABLE SJT3 USA BLACK UL L=1200		38	11004592	CARBONA ON-OFF BUTTON INSERT P0049	
	183940650	BLACK POWER CABLE AUST.3X1 H05VVF L=1200		39	11004378	SILVER ON-OFF SWITCH BUTTON P0049 S.SCR.	
	183980650	POWER CABL.JAPPON VCTF BLACK L=1200		40	11001437	BLACK CAP FOR CONNECTIONS P0049/P0053	
	11001985	BLACK POWER CABLE KOREA 3X1,25 L=1200		41	11001339	TRANSPATE INFRAREDS PLATE P0049	
	11004245	BLACK POWER CABLE BRAZIL W/CONNECT.L=1200		42	NF11.084	FOLK SPRING	
	11004246	BLACK POWER CABLE TAIWAN HVCTF L=1200		43	11001624	STEAM TUBE WASHER P0049	
	11004247	BLACK POWER CABLE RVV 3X1 CHINA L=1200MM		44	11005287	BLACK BUSH FOR STEAM KNOB	
05	13000123	UPPER TECHMATE INSERT FOR BOX P0049		45	11003154	BLACK REED SENSOR SUPPORT P0049	
06	13000122	LOWER TECHMATE INSERT FOR BOX P0049		46	1501.098	SILICONE GREASE CONFECTIONS	
07	13000124	DISPLAY BOX SAECO P0049		47	11005040	SPRING FOR ON-OFF BUTTON P0049	
08	11001746	TRANSPARENT WATER CONTAINER P0049 ASSY.		48	11003889	2POLES CONNECTOR SENSOR REED DOOR P0049	
09	224640200	EXTERNAL FILTER FOR WATER CONTAINER ASSY	WITH PART. N°10	49	129912702	SCREW PT TORX 3X10 WN 1411 GALVANIZ	
10	140328461	EPDM OR METRIC 0190-10					
11	11003672	SPRING FOR WATER CONTAINER VALVE P0049					
12	11003673	GREY WATER CONTAINER VALVE INSERT P0049					
13	11003671	TRANS.VALVE FOR WATER CONTAINER P0049					
14	11001298	BLACK LID FOR DUCKBILL VALVE P0049					
15	11001308	NATURAL/GREY WATER CONTAINER LID P0049					
16	11004687	MOUNTING PLATE WITH PIN P0049 ASSY.					
17	11000223	BLACK WHEEL FOR CASING BOTTOM P124					
18	11004381	SILVER COVER P0049					
19	11004374	SILVER WATER-STEAM KNOB P0049 S.SCREEN					
20	11004142	SILVER PLATE LOGO SAECO NEW P0049/P0053					
21	11004907	BLACK PLATE WITH LOGO ODEA P0049 GO					
22	11004575	CARBONA RIGHT SIDE CASING P0049					
23	11004576	CARBONA LEFT SIDE CASING P0049					
24	11003533	BLACK DUMP BOX P0049 ASSY.					
25	11004579	CARBONA DRIP TRAY COFFEE UNIT P0049					
26	12000280	CUP SOCKET EN 60320 C 13					
27	11000592	SAIA 3292 GENERAL SWITCH FOR P124					
28	11004591	CARBONA WATER TANK OUTLET COVER P0049					
29	11001293	NATURAL/GREY BEAN CONTAINER P0049					
30	11001762	TRANSPAR.BEAN COFF.CONTAIN.LID ASS.P0049					

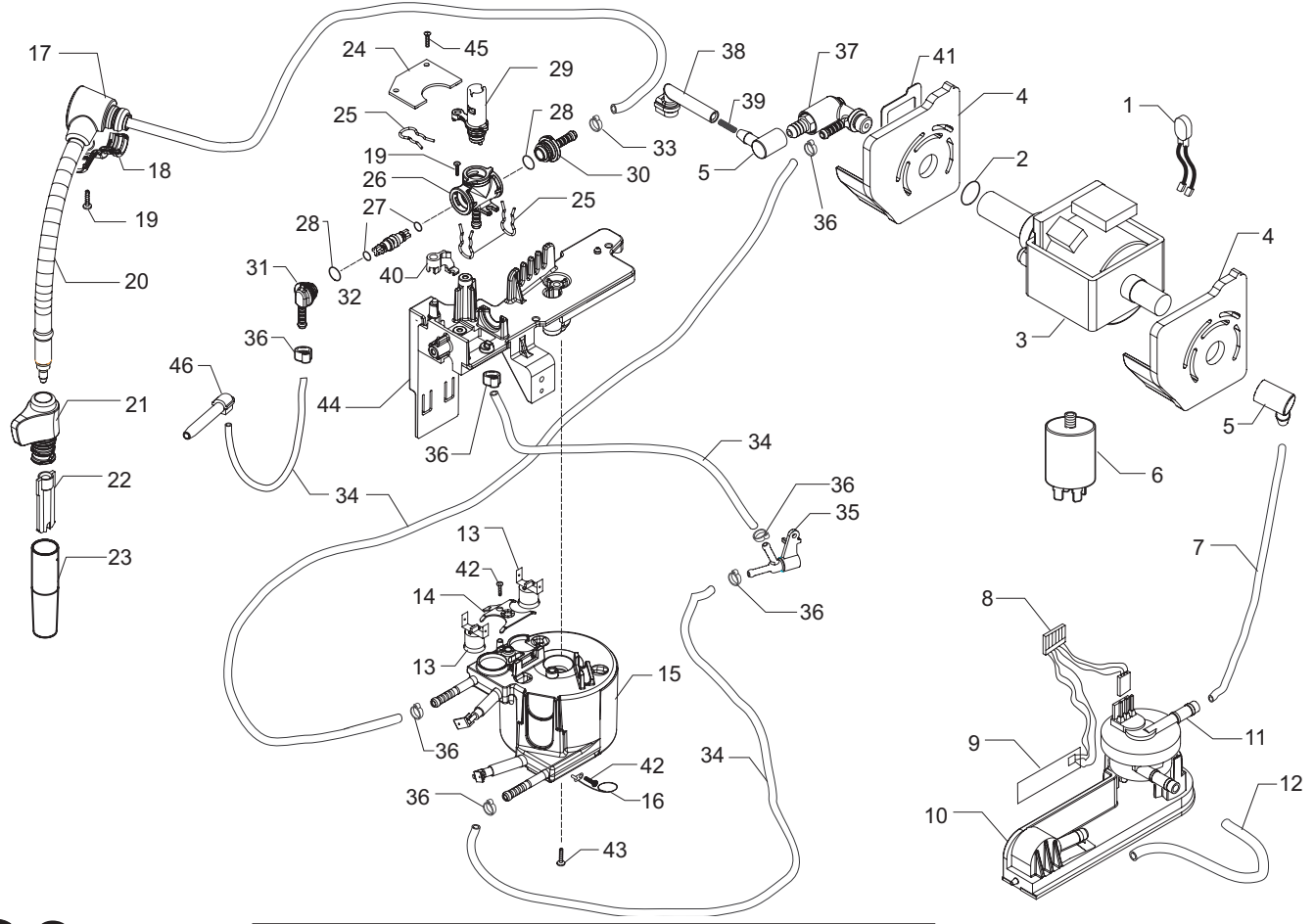
Saeco SUP0310
INTERNATIONAL GROUP



Saeco SUP310
INTERNATIONAL GROUP

CE Cod. 10000205-248-1592
1593-94-95-96-97-98-99

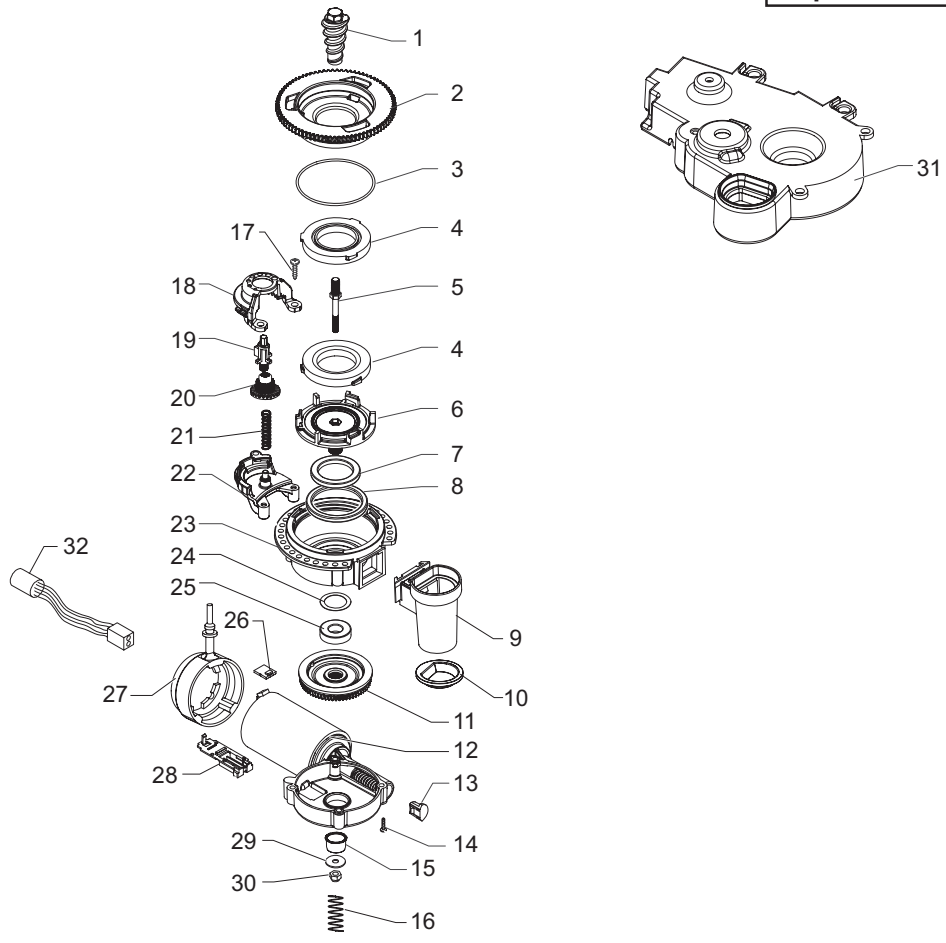
POS	CODE	DESCRIPTION	NOTE	POS	CODE	DESCRIPTION	NOTE
01	11004387	SILVER HEIGHT REGULATION NUT P0049					
02	11001788	AMBRA COFFEE DISPENSER LENS P0049					
03	11004385	SILVER FRONT COF.DISPENSER COVER P0049					
04	11001772	TRANSP.INNER CASING COFF.DISPENSER P0049					
05	11004383	SILVER REAR COF.DISPENSER COVER P0049					
06	11004382	SILVER SUPPORT ELECTR.CARD P0049					
07	11001351	BLACK BUTTON FOR ALLARMS P0049					
08	11001320	BLACK GEAR Z=19 FOR P0049					
09	11004388	CARBONA COFFEE BUTTON P0049/A S.SCREEN					
10	11001314	BLACK SUPPORT FOR RING NUT P0049					
11	11001353	BLACK STEAM BUTTON P0049					
12	11001363	SPRING FOR BUTTONS P0049					
13	11001334	BLACK COFFEE BUTTON SPACER P0049/A					
14	20000653	KIT SPARES CPU P0049 + FAUCET BOARD 3SEN	WITH PAR.N°24 TAB.3				
	11004915	AS.CPU+SW V1 P0049					
		FROM S/N. 9006SA40301266					
15	11001299	BLACK SUPPORT ELECTR.CARD CPU P0049.					
16	11001304	BLACK DRIP TRAY GUIDE LID P0049					
17	11001438	SILVER DRIP TRAY SUPPORT PROTECT.P0049					
18	11001758	PIN WITH BLACK INSERT ASSY.P0049					
19	11001335	BLACK PIN INSERT FOR DRIP TRAY P0049					
20	11001295	BLACK DRIP TRAY SUPPORT P0049					
21	11001364	MOVE DRIP TRAY SPRING P0049					
22	11001294	BLACK DRIP TRAY GUIDE P0049					
23	11004379	SILVER GRATE FOR DRIP TRAY P0049					
24	11004380	CARBONA DRIP TRAY P0049					
25	11004185	AMBRA FLOAT FOR DRIP TRAY P0049					



Saeco SUP0310
INTERNATIONAL GROUP

CE Cod. 1000205-248-1592
1593-94-95-96-97-98-99

POS	CODE	DESCRIPTION	NOTE	POS	CODE	DESCRIPTION	NOTE
01	11001778	2POLES CONNECTOR PUMP P0049	230V	33	NF11.052	OETIKER CLIP	
	11005668	2POLES CONNECTOR PUMP P0049 UL	100-120V	34	16000190	4.2X8,2 SILICON TUBE IN ROLL	
02	140321961	OR 2031 IN TERMOIL	WITH PART. N°37	35	11001330	BLACK CONNECTOR FOR PIN BOILER P0049	
03	12000140	ULKA PUMP EP5/S GW	230V-50HZ	36	12000361	OETIKER CLAMP D=9 16702491	
	12000131	ULKA PUMP EP5/S	120V-60HZ	37	11004689	SAFETY VALVE 16-18 BAR P0049 ASSY.	
	12000130	ULKA PUMP EP5/S GW	100V-50/60HZ	38	11001629	PUMP DESCARGING WATER CONNECTION P0049	
04	11001365	BLACK PUMP SUPPORT P0049		39	11005003	DESCARGING WATER CONNECTOR SPRING P0049	
05	147920150	90°CONNECTOR PUMP INLET		40	11003047	FAUCET BLOCK INSERT P0049/A	
06	12000005	ANTIDISTURB FILTER 10A FNC 1005474103P		41	11004776	STEEL BRACKET PUMP SUPPORT P0049	
07	149360200	SILICONE TUBE 5X8 70SR IN ROLL		42	129573202	SCREW TCB PH/TT 4X8 UNI 8112 ZNP	
08	11001790	6POLES CONNECTOR LEVEL+FLOWMETER P0049	230V	43	129932502	GALVANIZDE SELF DRILLING SCREW 5X30	
	11005648	6 POLES CONNECT.LEVEL+FLOWMETER P0049 UL	100-120V	44	11001332	SUPPORT FOR BOILER-FAUCET-VALVE P0049	
09	11000651	WATER LEVEL SENSOR BOARD P124		45	129912702	SCREW PT TORX 3X10 WN 1411 GALVANIZ	
10	11003670	BLACK TURBINE SUPPORT/V2 P0049		46	11001630	MILK ISLAND DESCARGING WATER CONNECTION	
11	NV99.099	DIGMESA TURBINE FHKSC 1,2 ARNITE OC					
12	JS01.022	SILICONE TUBE 5X10 60 SHORE IN ROLL			11001549	FAUCET P0049/B-P0053 ASSY. WITH PART. N°25-26-27-28-29-30-31-32	
13	189428600	THERMOSTAT 175° 1NT-08L-5125					
14	11001751	THERMOSTATES SPRING FOR BOILER					
15	11001750	ALUM.BOILER/V3 1300W ASSY.	230V				
	11005608	ALUM.BOILER/V3 1300W ASSY.	120V		11001748	ALUM.BOILER P0049/A 230V ASSY.	
	11005609	ALUM.BOILER/V3 1300W ASSY.	100V		11005774	ALUM.BOILER P0049/A 120V ASSY.	
					11005775	ALUM.BOILER P0049/A 100V ASSY.	
16	190800100	TEMPERATURE SENSOR NTC UL L=280MM					
17	11004196	CHROMED UPPER STEAM TUBE COVER P0049					
18	11004197	CHROMED LOWER STEAM TUBE COVER P0049					
19	129912202	SCREW TCB TORX T10 3X12 UNI 9786 ZN					
20	11003122	ST.STEEL STEAM TUBE P0049 ASSY.					
21	11001625	STEAM TUBE HANDGRIP P0049					
22	11001620	PANNARELLO INTERNAL TUBE P0049					
23	11001769	BLACK COVER PANNARELLO P0049/A					
24	20000653	KIT SPARES CPU P0049 + FAUCET BOARD 3SEN	WITH PAR.N°14 TAB.2				
		UP TO S/N. 9006SA40301265					
	11004842	TAP ELECTRONIC CARD P0049/P0053-V1 5V					
		FROM S/N. 9006SA40301266					
25	11001499	FORK SPRING FOR FAUCET P0049					
26	11001545	FAUCET CASING P0049					
27	12000541	OR 2012 IN VITON FDA 70 SH					
28	12000042	OR 108 IN VITON FDA 70 SH					
29	11004135	PLAST/BRASS FAUCET SHAFT P0049 ASSY.					
30	11001546	FAUCET STRAIGHT CONNECTOR P0049					
31	11001544	FAUCET CONNECTOR P0049					
32	11004134	BRASS FAUCET SHAFT P0049					



Saeco SUP0310
INTERNATIONAL GROUP

CE Cod. 1000205-248-1592
1593-94-95-96-97-98-99

POS	CODE	DESCRIPTION	NOTE	POS	CODE	DESCRIPTION	NOTE
01	9141.001	SCREW OF INCREMENT					
02	149198250	UPPER GRINDER SUPPORT COFFEEGRINDER					
03	140328960	NBR FDA OR METRIC 0530-15					
04	146520100	BAKED CLAY GRINDER 48X28					
05	127473603	STEEL PIN M4-M6 FOR INCREMENT SCREW					
06	149198350	LOWER GRINDER SUPPORT COFFEEGRINDER					
07	123030300	AXIAL BEARING EKKO 342.35252					
08	140360500	FELT RING 45,4X39,4X4					
09	222870250	GROUND COFFEE OUTLET CONVEYOR ASSY.					
10	145854462	GROUND COFFEE CONT.SEAL LOWER SMART1					
11	226000300	GEAR SX Z=38 FOR GRINDER MOTION ASSY.					
12	11000513	MOTOR COFFEEGRINDER/V3.1 DOMEL ASSY	230V				
	11000511	MOTOR COFFEEGRINDER/V3.1 DOMEL ASSY	120V				
	11000512	MOTOR COFFEEGRINDER/V3.1 DOMEL ASSY	100V				
13	149214800	CAP FOR WORM SCREW MC/V3 CENTRING					
14	129661702	PANELVIT TCB SCREW 3,5X25 D.7505 ZN					
15	11002873	INSULATOR BUSH FOR GRINDER MOTOR P124					
16	11000597	COFFEE GRINDER SUPPORT SPRING P124					
17	129660102	PANELVIT TCB SCREW 3,5X18 D.7505 Z					
18	11002508	UPPER GEAR SUPPORT COFFEEGRINDER P124					
19	11003446	BLACK INSERT FOR COFFEE GRINDER P0049					
20	11003784	COFFEE GRINDING ADJUSTMENT GEAR P0049					
21	11002572	GRINDER REGULATION SPRING P124					
22	11002613	LOWER GEAR SUPPORT COFFEEGRINDER P124					
23	149205450	SWITCH+SOCKET POWER CABL.SUPP.SMART					
24	128381800	CRINKLE WASHER 21,8X15,8X0,2					
25	123030200	RADIAL BEARING 61900.2RS1					
26	181540900	ELECTRONIC BOARD WITH SENSOR HAL506					
27	11001367	BLACK COFFEE GRINDER SUPPORT P0049					
28	149199050	SENSOR SUPPORT FOR COFF.GRIND.MOTOR					
29	128381902	GALVAN.FLAT WASH.DI=4,3 DE=14 SP=1,5					
30	123453102	SELF LOCK NUT M4 DIN 982 HIGH GALV.					
31	11001826	SOUNDPROOFING COVER FOR COFGRINDER P0053					
32	11003449	5POLES CONNECTOR MC SENSORS P0049	230V				
	11005658	5POLES CONNECTOR MC SENSORS P0049 UL	100-120V				
	11001744	GENERAL MOTOR MC P0049 230V ASSY.					
	11005606	GENERAL MOTOR MC P0049 120V ASSY.					
	11005607	GENERAL MOTOR MC P0049 100V ASSY.					

