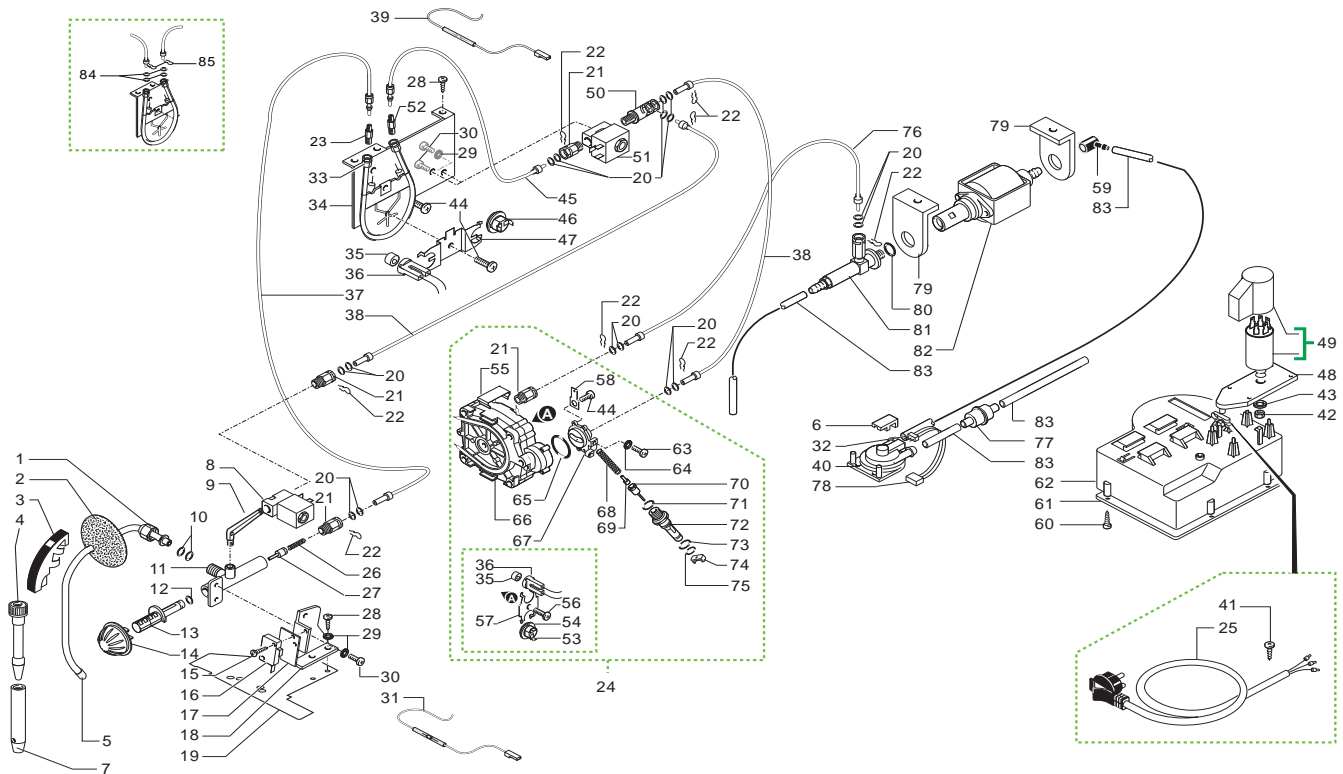
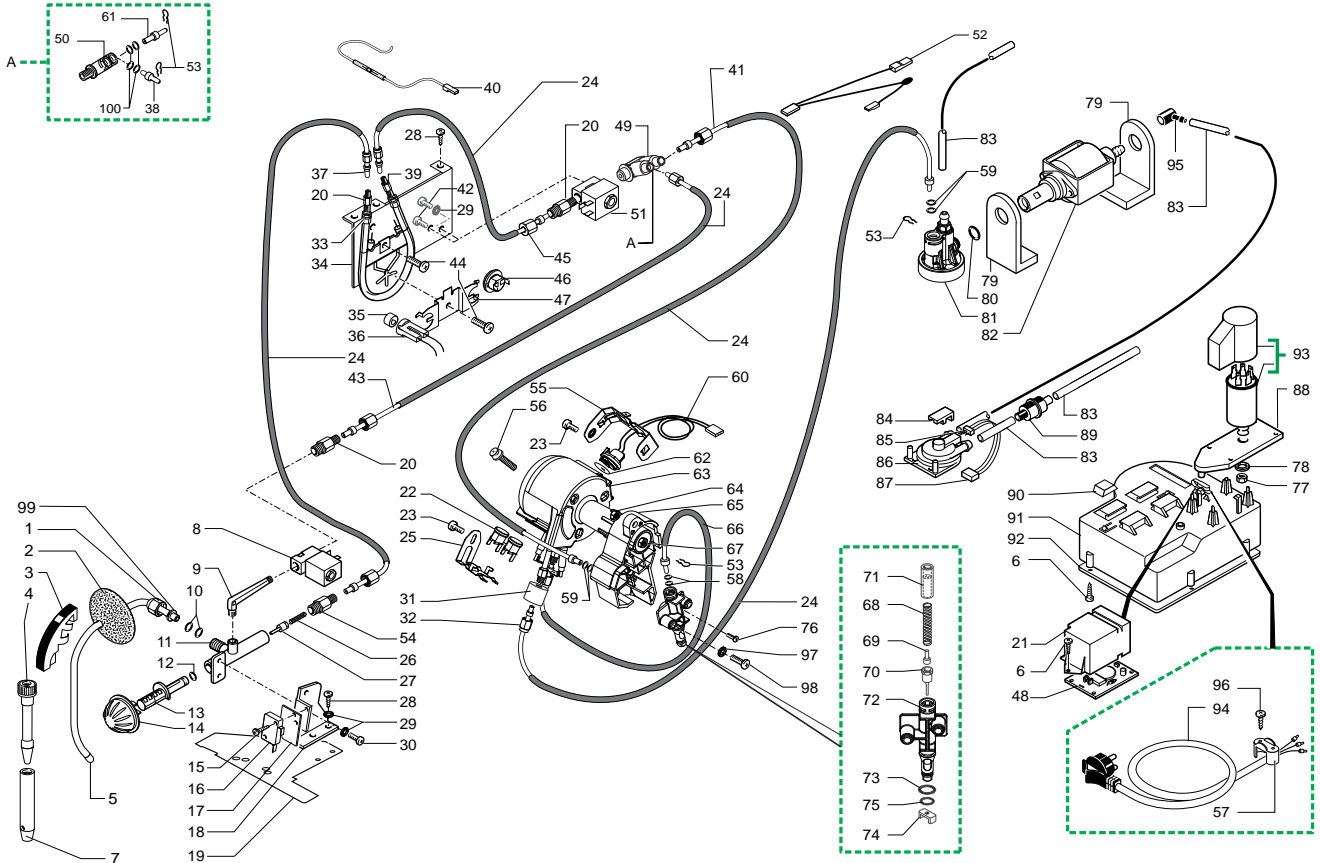


Ref.	Code	Description	Version	Ref.	Code	Description	Version
01	0301.812	CONNECTOR ASS. 4 POLE CUPWARMER	WITH ALUM.BOILER	42	0348.003.710	POWDER DOSER LID GREY RAL 7021	
02	NF18.001	PLATE FOR PIN D.3,2		43	0334.011.770	DOSER LID UL DIGITAL SILVER	
03	0347.011.050	FIDEX SLEEVE	IN ROLL	44	0301.023.770	WATER LID SILVER	
04	JS01.005	SILICONE TUBE 5X8 ROLL BROWN		45	0348.002.710	WATER LID GREY RAL 7021	
05	0347.006.710	MOBILE DISPENSER CASING GREY		46	NM01.032	OR ORM 0060-30 SILICONE BLACK	
06	NM02.010	OR ORM 0050-20 TERMOIL		47	9161.110	SPRING FOR PISTON FOR SUPERAUTOM.	
07	0347.005.710	FIXED CASING DISPENSER BLACK		48	9111.027.150	GREY PISTON FOR WATER CONTAINER	
08	0347.A02.710	WHOLE MESH GREY UPPER DISP.RAL 7021		49	9161.050.230	NAI/TRANSP.CAP FOR FLOATING SPACE MAGIC	
09	0314.905	RIGHT LOWER INSERT IN TECHMATE		50	9161.112.150	LEVEL FLOAT GREY	
10	0347.A05.710	WHOLE MESH GREY LOWER DISP.RAL7021		51	0301.046.230	WATER TANK ASS. SUPERAUTOM.	
11	0347.A03.710	DISPENSER ASS. GREY RAL 7021		52	0317.A16.230	WATER TANK ASS. MAGIC UL	
12	0301.033.150	TANK CASING GREY		53	0348.005.710	LID ROYAL DIGITAL	
13	129670202	TCB PANEL/IT SCREW 3,5X16 TESTAD=8 ZNP		54	0348.005.770	LID ROYAL DIGITAL SILVER	
14	0347.009.430	CHROMATE GRID FOR TANK		55	0301.019	PEG FOR DOOR SUPERAUTOM.	
15	0347.013.970	RED BALL FLOAT		56	0301.039.660	DOOR CLOSURE KNOB SILVER TF	
16	0314.022.710	DRIP TRAY GREY		57	0301.039.710	DOOR CLOSURE KNOB GREY	
17	0314.022.770	DRIP TRAY SILVER		58	U433.001	NAIL 2X06 UNI 7591 BURN.	
18	0347.004.430	CHROMATE DISPENSER COVER		59	0313.012.710	DOOR COVER S/SCREEN GREY	
19	NE15.003	MALE TONGUE PLAIN 6,3 D.5,2		60	0313.012.770	DOOR COVER S/SCREEN SILVER	
20	128310404	WASHER UNI 8842 A4 BURNISHED		61	9161.140	SEAL FOR UNIT PLATE	
21	129573402	SCREW TAPT M4X10 DIN 7985 GALV		62	0301.040.150	DOOR CLOSURE LEVER GREY	
22	0312.016.050	RUBBER TUBE HOLDER BLACK	230V	63	0313.001.660	DOOR COVER S/SCREEN GREY	
23	0312.015.66A	CUPWARMING PLATE ASS.SILVER	120V	64	0313.001.710	DOOR ASS. ROYAL GREY RAL 7021	
24	0312.015.66F	CUPWARMING PLATE ASS.SILVER		65	0301.020	PIN FOR DOOR SUPERAUTOMATICA	
25	0312.017	TUBE FOR CASING LID		66	NV01.001	ADHESIVE FOOT	
26	0312.014	CUPWARMER SEAL		67	0301.041.150	UNIT SUPPORT PLATE GREY	
27	U201.005	PLAIN WASHER 4,3X12 DIN 7349 GAL	120V	68	0301.048.150	ROTATING RING GREY	
28	0360.024.050	CAP FOR BODY		69	9991.096	ADHESIVE FOOT 8X15X3,2	
29	NE03.028	SWITCH B1031C1181000W		70	0313.013	RESIN PACKET INTAFIL SYSTEM	
30	NE03.038	UP TO S/N.9003ROY0465194 X 230V	230V	71	0313.015	RESIN CONTAINER LID INTAFIL	
31		BIPOLAR SWITCH FUSIT C1250AR		72	0313.014	RESIN CONTAINER INTAFIL SYSTEM	
32		FROM S/N.9003ROY0465195 X 230V		73	0313.016	WATER TANK ADAPTER INTAFIL	
33		GENERAL SWITCH PROTECTION		74	0348.951	INST. BOOKLET DIGITAL PLUS D	
34	0327.036	screw TCBC M4,0X6 UNI 7687 GALV.		75	0348.952	INST. BOOKLET DIGITAL PLUS F	
35	U043.012	CASING ASS. SILVER T.F.		76	0348.953	INST. BOOKLET DIGITAL PLUS I	
36	0312.026.660	CASING ASS. SILVER T.F.		77	0348.954	INST. BOOKLET DIGITAL PLUS NL	
37	0312.026.710	CASING ASS. GREY RAL 7021		78	0348.955	INST. BOOKLET DIGITAL PLUS GB	
38	U110.005	SCREW AUT.TCB 3,9X9,5 DIN 7981 F			0348.956	INST. BOOKLET DIGITAL PLUS E	
39	0312.032.710	DUMP BOX PAINTED GREY RAL 7021			0348.957	INST. BOOKLET DIGITAL PLUS P	
40	0312.032.770	DUMP BOX PAINTED SILVER		69	127390100	BRUSH FOR CLEANING	
41	0701.031.150	SEAL COVER GREY		70	9991.040.150	MEASURE GREY	
42	145842900	WATER CONTAIN.VALVE SEAL GACO DIM14		71	11005044	SAECO KLUBER SIL 2 TUBE 5GR.	
43	0701.014.150	SEAL CONTAINER GREY		72	0314.907	LEFT UPPER INSERT IN TECHMATE	
44	129532521	SCREW TSP2,9X9,5 DIN 7982 SS		73	0314.909	DRIP TRAY BOX	
45	140320461	OR ORM 0080-20 IN TERMOIL		74	0330.906	SPACER IN POLYSTYRENE	
46	0301.022.770	COFFEE LID SILVER		75	0314.904	LEFT LOWER INSERT IN TECHMATE	
47	0348.004.710	COFFEE LID GREY RAL 7021		76	0347.901	EXTERNAL BOX FLEXY ROYAL	
48	147700200	LOADING PUMP DIAMETER 17 MM	(USA)	77	0314.906	RIGHT UPPER INSERT IN TECHMATE	
49	0329.006.230	COFFEE CONTAINER			223070200	ACC SAE AQUA PRIMA 1 UNIT	
50	0317.010.230	COFFEE CONTAINER UL					
51	U143.007	SCREW TORX TCB 2,9X19 SS BUR					
52	0313.008.770	SILVER DOSER LID DIGITAL					

(D)
(D)
(D)
(D)

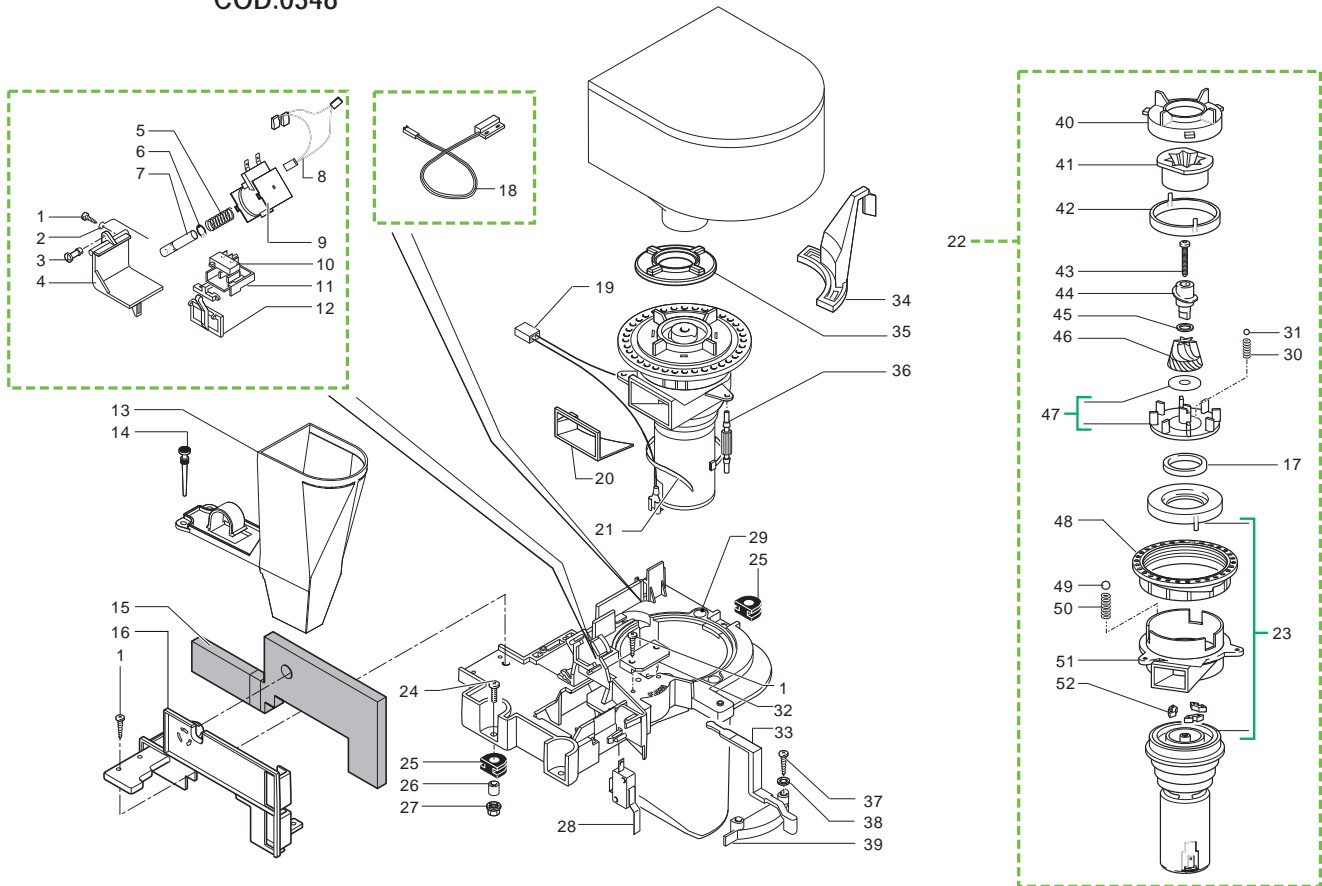


Ref.	Code	Description	Version	Ref.	Code	Description	Version
01	9161.438	NUT FOR STEAM TUBE		44	U046.003	SCREW TCBC M4,0X12 INDENT. WASH.8	
02	9161.058.150	INTERNAL PROTECTION FOR TUBE GREY		45	9979.A64	TEFLON TUBE ASS. 4X2 L.280 7-7	UP TO S/N. 362813 FROM S/N. 362814
03	9161.055.710	HANDGRIP FOR ST. TUBE GREY		46	9979.A88	TEFLON TUBE ASS. 4X2 L.280 7	
04	9990.005.050	PANNARELLO ASS.MIELE BLACK		47	NE09.006	THERMOSTAT 170°NC FAST. 90°+WASHER	
05	11004221	STAINLESS STEEL STEAM TUBE ROYALASSY.		48	9011.187	THERMOSTAT RETAINING SPRING	
06	9161.018	BRACKET FOR TURBINE		49	0327.035.150	ANTIDISTURB FILTER SUPPORT	
07	9991.153	EXTERNAL COVER PANNAREL.CHROMED		50	0301.A12.00A	ASS CAPPUCCIO + FILTRO	
08	11008569	SOLE.N VALVE 15VA 2 WAY 1/8" FEM.TEA	230V	51	11008823	TEA/BRASS 90°CONNECTOR DOUBLE FASTLOCK	230V
09	11008453	TEA/BRASS 90°CONNECTOR FOR FAUCET EV.		52	11008573	SOLE.N VALVE 15VA 2W 1/8" FEM.DN3 TEA	
10	140324461	OR ORM 0060-20 IN TERMOIL		53	227961803	NIK/BRASS INLET CONNECTOR BOILER	
11	11009006	TEA/BRASS FAUCET BODY		54	NE09.021	THERMOSTAT 150°NC FASTON 90°	
12	140321461	OR 2018 IN EPDM		55	9991.085	THERMOSTAT FIXING WASHER	
13	9161.057	STEAM FAUCET ROD		56	9011.054	SPRING FOR THERMAL FUSE	
14	0347.017.710	GREY STEAM KNOB RAL 7021 SERIG.		57	129828502	TCB SCREW M6X30 UNI 7687 ZNP	
15	U109.014	SCREW AUT.TCB 2,9X16 DIN 7981 C		58	9011.034	THERMOSTAT RETAINING SPRING	
16	NE05.013	MICROSWITCH		59	NE15.026	MALE TONGUE 45° 6,3 D.5,2	
17	11009072	INSULATE PROTECTION 24X38,8 FOR MICRO		60	147920150	90°CONNECTOR PUMP INLET	
18	0312.011	STEAM FAUCET BRACKET		61	129670202	TCB PANELVIT SCREW 3,5X16 TESTAD=8 ZNP	
19	11000839	BLACK CLOSURE PLATE		62	0301.055.150	LID FOR POWER CABLE CONT. GREY	
20	NM02.028	OR 2015 EPDM FDA		63	0301.056.150	POWER CABLE CONT. VDE GREY	
21	11008875	TEA/BRASS CONNECTOR 1/8" FOR TUBE D=4		64	U043.021	SCREW TCBC M5,0X8 UNI 7687 GALV.	
22	9011.144	FORK FOR TUBE D.4		65	U208.003	TOOTHED WASHER 5,1X9 BRU	
23	227961903	NIK/BRASS CONNECTOR FOR TUBE TEFLON 4X2	FROM S/N. 362814	66	NM01.022	OR 2106 SILICONE	
24	9010.R06.00A	KIT SPARES 9010.042.00A		67	9019.A61.00A	BOILER CASINGS ASS. PROFESS.	230V
25	NE01.120	CABLE SCHUKO GREY H05	(B) (D) (F) (K)	68	9011.165	BOILER SUPPORT WITH TUBE CONN. D.4	
	NE01.118	CABLE CH H05 GREY 1 MM	(CH)	69	9011.132	SPRING FOR PIN	
	NE01.114	POWER CABLE AUSTRALIA	(AUS)	70	11009013	TEA/BRASS PIN FOR PISTON L=10	
	NE01.115	CABLE TW 3 POLE 230V	(RC)	71	11009019	TEA/BRASS PISTON L=20,9 ASSY.	
26	9011.007	MOLLA X SPILLO		72	NM01.008	OR ORM 0080-20 SILICONE	
27	11009018	TEA/BRASS PISTON L=15,1 ASSY.		73	9011.100	PEG FOR VALVE IN PLASTIC	
28	U110.013	SCREW AUT.TCB 3,9X6,5 DIN 7981 F		74	NM01.035	OR ORM 0090-20 SILICONE	
29	128310404	WASHER UNI 8842 A4 BURNISHED		75	9011.099	M CURSOR FOR BOILER VALVE IN PLASTIC	
30	129823802	TCB SCREW M4X8 UNI 7687 ZNP		76	NM01.057	OR ORM 0050-20 SILICONE	
31	0314.810	CABLE 1 WIRE SILIC.WHIT FUSE 192°		77	9979.A38	TEFLON TUBE ASS. 4X2 L.150 7-7	
32		PARTICULAR NOT AVAILABLE	SEE PART. N°40	78	144650300	SUCTION FILTER GAUZE NET 50 (NEW	
33	0334.R11.00A	KIT SPARES BLECKMANN BOILER	230V	79	0314.815	CONNECTOR ASS. 3POLE TURBINE PROF.	
34	0334.001	NEW SYSTEM BRACKET		80	149185850	EATON PUMP SUPPORT MAGIC 4002012	
35	11004424	ALUM.SPACER FOR PHILIPS SENSOR MAGIC		81	140321961	OR 2031 IN TERMOIL	
36	9019.A65	SENSOR ASS. FOR AUTOMATICA		82	9079.A27	SAFETY VALVE ASS.FAST/LOCK UNIVERS	
37	9979.A39	TEFLON TUBE ASS. 4X2 L.200 7-7	UP TO S/N. 362813 FROM S/N. 362814	83	12000140	ULKA PUMP EP5/S GW	230V-50HZ 220V-50/60HZ
38	9979.A49	TEFLON TUBE ASS. 4X2 L.200 7		84	12000132	ULKA PUMP EP5/S GW	
39	9979.A55	TEFLON TUBE ASS. 4X2 L.260 7-7		85	9972.022	SILICONE TUBR 5X8 L.2MT	
40	0334.822	CABLE 1 WIRE SILIC.WHIT FUSE 216°			9972.022	SILICONE TUBR 5X8 L.2MT	
41	286473300	-M-VDE TURBINE WITH SENSOR KIT	WITH PART.N°32		NM02.028	OR 2015 EPDM FDA	UP TO S/N. 362813 UP TO S/N. 362813
42	U140.009	PANELVIT TCB 3,0X16 DIN 7505 B GAL			9011.144	FORK FOR TUBE D.4	
43	U302.007	NUT HEXAGONAL M8 UNI 5588					
43	U208.009	TOOTHED WASHER 8,4X15 UNI 3703					



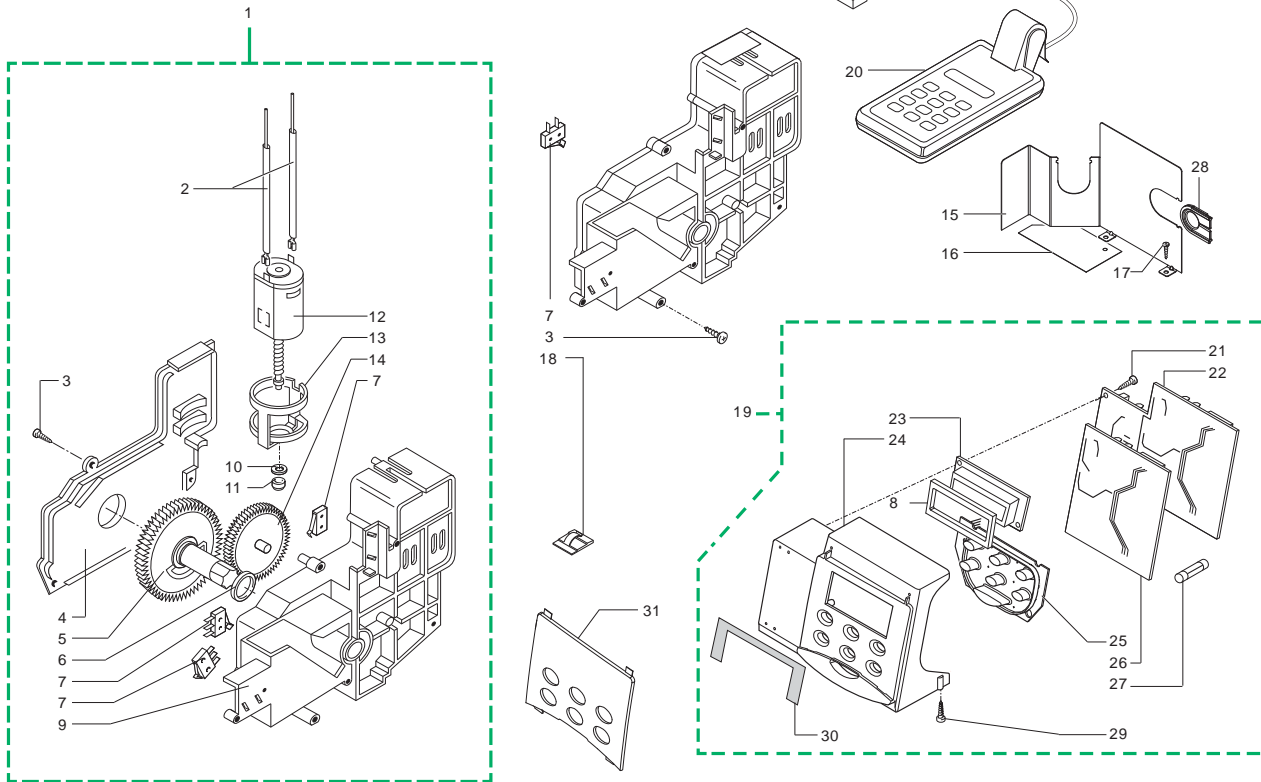
Ref.	Code	Description	Version
01	9161.438	NUT FOR STEAM TUBE	
02	9161.058.150	INTERNAL PROTECTION FOR TUBE GREY	
03	9161.055.710	HANDGRIP FOR ST. TUBE GREY	
04	9990.005.050	PANNARELLO ASS.MIELE BLACK	
05	11004221	STAINLESS STEEL STEAM TUBE ROYAL ASSY.	
06	129670202	TCB PANEL VIT SCREW 3,5X16 TESTAD-8 ZNP	
07	9991.153	EXTERNAL COVER PANNAREL. CHROM.	
08	11008569	SOLE.N.VALVE 15VA 2 WAY 1/8" FEM.TEA	230V
08	11008570	SOLE.N.VALVE 15VA 2 WAY 1/8" FEM.TEA	120V
09	11008453	TEA/BRASS 90°CONNECT.FOR FAUCET EV.	
10	140324461	OR ORM 0060-20 IN TERMOIL	
11	11009006	TEA/BRASS FAUCET BODY	
12	140321461	OR 2018 IN EPDM	
13	9161.057	STEAM FAUCET ROD	
14	0347.017.710	GREY STEAM KNOB RAL 7021 SERIG.	
15	U109.014	SCREW AUT.TCB 2,9X16 DIN 7981 C	
16	NE05.013	MICROSWITCH	
17	11009072	INSULATE PROTECTION 24X38,8 FOR MICRO	
18	0312.011	STEAM FAUCET BRACKET	
19	11000839	BLACK CLOSURE PLATE	
20	11009009	TEA/BRASS CONN. FOR TUBE TEFLON 4X2	
21	9161.336.150	COVER FOR FILTER CARD GREY UL	
21	9161.126.150	COVER FOR FILTER CARD GREY	
22	189428200	THERMOSTAT 175° INT-08L-3794	
23	129573202	SCREW TCB PH/TT 4X8 UNI 8112 ZNP	
24	9972.329	BLACK SILICONE TUBE 7,5X9,3 L.2000	
25	126838117	2 THERMOSTATS FIXING SPRING	
26	126765317	STEEL SPRING BOILER PISTON MAGIC	
27	11009018	TEA/BRASS PISTON L=15,1 ASSY.	
28	U110.013	SCREW AUT.TCB 3,9X6,5 DIN 7981 F	
29	128310404	WASHER UNI 8842 A4 BURNISHED	
30	129823802	TCB SCREW M4X8 UNI 7687 ZNP	
31	147756562	PROTECTION FOR FOLK SPRING TUBE D=4	
32	227876200	CONNECTOR AS. TEFLON 2X4 L=200 MM	
33	9010.143.00A	BOILER ASS. DIGITAL PLUS	230V
33	9010.143.00F	BOILER ASS. DIGITAL PLUS	120V
34	0334.001	NEW SYSTEM BRACKET	
35	11004424	ALUM.SPACER FOR PHILIPS SENSOR MAGIC	
36	9019.A72	SENSOR ASS. ROYAL	230V
36	9019.A73	SENSOR ASS. ROYAL	120V UL
37	9979.B28	TEFLON ASS. TUBE 2X4 L.200	
38	227875100	CONNECTOR AS. TEFLON 2X4 L=275 MM	UP TO S/N. 9005ROY0536489
39	11009010	TEA/BRASS INLET CONNECTOR BOILER	
40	0334.822	CABLE 1 WIRE SILIC.WHITE TH/FUSE 216°	
40	0334.823	CABLE 1 WIRE SIL.WHITE AWG16 TH/FUSE 216°	(USA)
41	9979.B29	TEFLON ASS. TUBE 2X4 L.280	FROM S/N. 9005ROY0536490
42	U043.012	SCREW TCBC M4.0X6 UNI 7687 GALV.	

Ref.	Code	Description	Version
43	9979.B43	TEFLON ASS. TUBE 4X2 L.280 OG-OGA	FROM S/N. 9005ROY0536490
44	U046.003	SCREW TCBC M4.0X12 INDENT. WASH.8	
45	9979.B47	TEFLON ASS. TUBE 4X2 L.320 OG-OG	
46	NE09.006	THERMOSTAT 170°NC FAST. 90°+WASHER	
47	9011.187	THERMOSTAT RETAINING SPRING	
48	0301.828.00F	FILTRATION CARD SUPERAUTOM.	120V (USA)
49	11008586	TEA/BRASS 90° DOUBLE CONNECTOR	FROM S/N.9005ROY0536490
50	227901103	NIK/BRASS 90°CONNECT.DOUBLE FAST/LOCK	UP TO S/N. 9005ROY0536489
51	11008573	SOLE.N.VALVE 15VA 2W.1/8" FEM.DN3 TEA	230V
51	11008574	SOLE.N.VALVE 15VA 2W.1/8" FEM.DN3 TEA	120V
52	0314.820	CONNECTOR ASS. 3POLE 1st SYSTEM	
53	9011.144	FORK FOR TUBE D.4	UP TO S/N. 9005ROY0536489
54	11009008	TEA/BRASS CONNECTOR	
55	126838017	SENSOR FIXING SPRING	
56	129932202	ROUND HEAD SCREW 10.9 M5X20 GALV	
57	9991.039	CABLE RETAINER UL	(USA)
58	140326662	OR METRIC 0040-20 IN SILICONE	
59	140328059	OR 2015 IN SILICONE PTFE/FDA	
60	288582300	SENSOR ELECTBOARD WITH CONNECT.ASSY.	
61	9979.A73	TEFLON ASS. TUBE 4X2 L.280 7-7	UP TO S/N. 9005ROY0536489
62	145951600	ELECTRIC INSULATING DISK D=16	
63	282058858	ALUM.BOILER WITH RESISTANCE	230V-1100W
63	282058855	ALU.BOILER WITH RESISTANCE	120V -1100W
64	U301.003	NUT HEXAGONAL M3 UNI 5587	
65	9161.435	TUBOL.BOILER SUPPORT FOR SUPERAUT.	
66	227876600	CONNECTOR AS.TEFLON 2X4 L=300 MM	
67	123453902	SELF-LOCKI.NUT M5X0,8 DIN 980 CLA.8	
68	9011.132	SPRING FOR PIN	
69	11009013	TEA/BRASS PIN FOR PISTON L=10	
70	11009019	TEA/BRASS PISTON L=20,9 ASSY.	
71	11009012	TEA/BRASS BUSH PIN BOILER	
72	9161.434	BOILER PIN	
73	NM01.035	OR ORM 0090-20 SILICONE	
74	9011.099	M CURSOR FOR BOILER VALVE IN PLASTIC	
75	NM01.057	OR ORM 0050-20 SILICONE	
76	U140.004	PANELVIT TCB 3,0X12 DIN 7505 B GAL	
77	U302.007	NUT HEXAGONAL M8 UNI 5588	
78	U208.009	TOOTHED WASHER 8,4X15 UNI 3703	
79	149185850	EATON PUMP SUPPORT MAGIC 4002012	
80	140321961	OR 2031 IN TERMOIL	
81	229452100	COMPENSAT.AND SAFETY VALVE 16BAR ASSY	
82	12000140	ULKA PUMP EP5/S GW	230V-50HZ
82	12000132	ULKA PUMP EP5/S GW	220V-50/60HZ
82	12000131	ULKA PUMP EP5/S	120V-60HZ
83	9972.022	SILICONE TUBR 5X8 L.2MT	
84	9161.018	BRACKET FOR TURBINE	



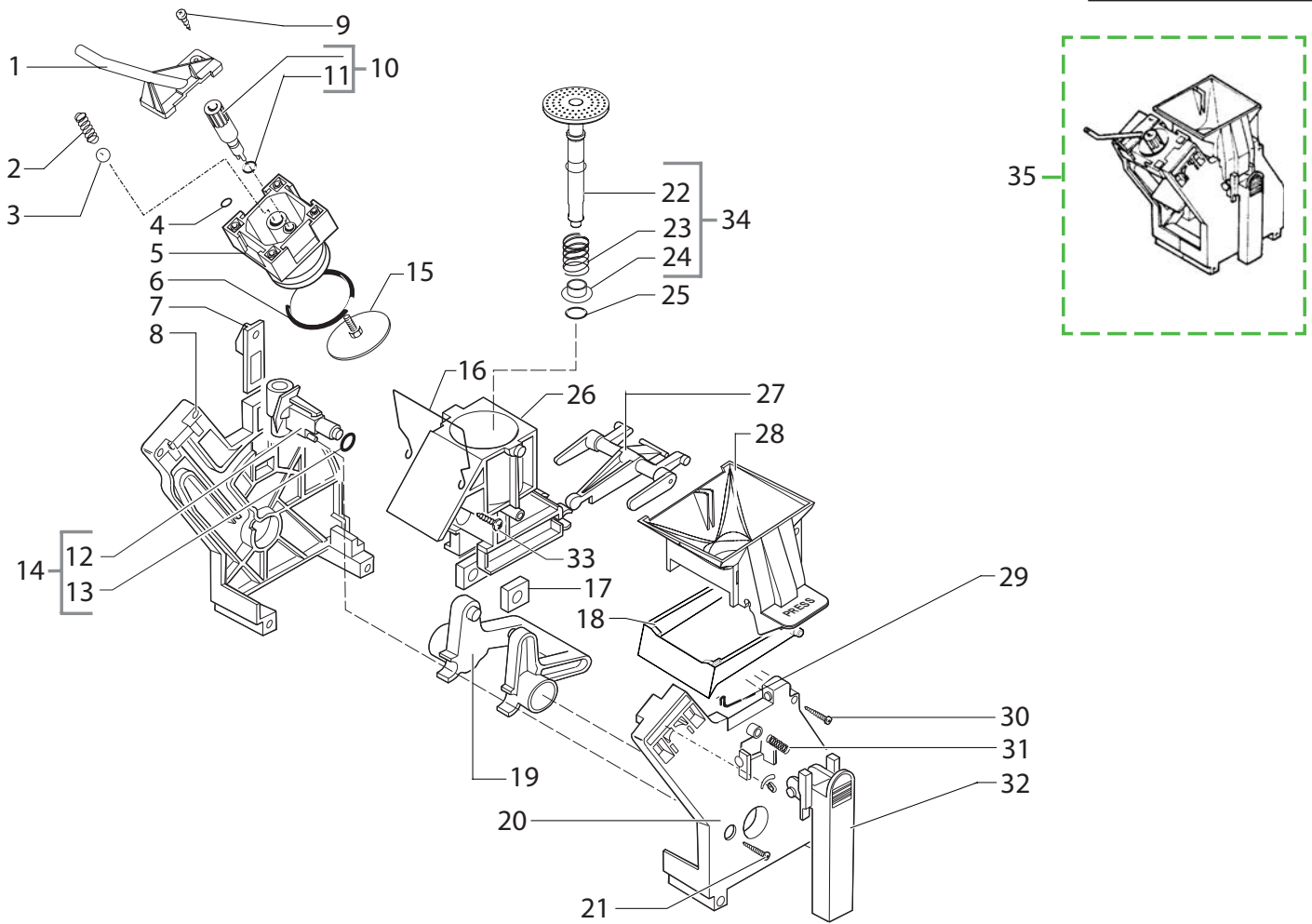
Ref.	Code	Description	Version
01	U140.004	PANELVIT TCB 3,0X12 DIN 7505 B GAL	
02	9161.048	SCRAPER ROD	
03	9161.076.150	DOSER DOOR PIN GREY	
04	9161.074.150	DOSER DOOR GREY	
05	126764818	SPRING ELECTROM.BEAN DOSER MAGIC	
06	U701.003	SNAP RING UNI 7434	
07	9161.041	DOSER ELECTROMAGNET CORE	
08	0301.866	CONNECTOR ASS. 2 POLE DOSER COIL	
09	9129.A21.00A	WHOLE COIL X SUPERAUT.	230V
	9129.A07.00H	COFFEE DOSER COIL ASS.	240V
	9129.A07.00F	COFFEE DOSER COIL ASS.	120V
10	NE05.017	MICROSWITCH	
11	9161.072.150	MICRO SUPPORT CURSOR GREY	
12	9161.073.150	DOSE CONTROL COMPENSATOR GREY	
13	9161.223.150	COMPL.HOPP.FOR POWDER COFFEE GRE.	
14	9161.082	RUBBER COUPLER	
15	9161.382	INSULATOR FOR COFFEE GRINDER	
16	9161.366.150	GREY/7016 SUPPORT FOR INSULATOR	
17	140360200	FELT RING 40X34X5	
18	0301.811	CONNECTOR 2 POLES LEVEL ASSY.	
	0317.829	CONN. ASS. 2 POLE LEVEL UL	
19	0301.869	CONNECTOR ASS. 2 POLE COFFEEGRINDE	
	0301.868	CONNECTOR ASS. 2 POLE COFFEEGRINDE	
20	1505.014	COFFEEGRINDER SEAL	
21	144320200	SELF LOCK STRIP L=200MM	
22	9140.036.00A	STANDARD COFFEE GRINDER	230V
	9140.035.00A	STANDARD COFFEE GRINDER ITA	230V (AUS) (F)
	9140.036.00F	STANDARD COFFEE GRINDER	120V (USA)
23	0301.R10.00A	SPARE MOTOR UNIT MC	230V
	1501.R09.00F	MOTOR SPARE UNIT	120V (USA)
24	U043.004	SCREW TCBC M4,0X16 UNI 7687 GALV.	
25	9991.005	RUBBER FOR COFFEE GRINDER	
26	9141.003	SPACER FOR RUBBER	
27	U324.006	NUT M4 FLANGED INDENTED BASE	
28	NE05.037	MICROSWITCH	
29	9161.365.150	GREY PLATE FOR COFFEE GRINDER	
30	126765517	STEEL SPRING SPHERE D=5,5 MOTOR	
31	128610521	STAIL.STEEL AISI 304 SPHERE D=5,5MM	
32	9161.097.150	LEVER FIXING PLATE GREY	
33	0313.003.150	ADJUSTMENT LEVER GREY RAL 7016	
34	9161.080.710	GREY LEVER GRINDING SETTING	
34	9161.080.910	GRINDING ADJUSTM.LEVER SILV.TURMIX	
35	1505.020	GASKET COFFEE GRINDER UL	
36	9991.103	ANTIVIBRATION FOR COFFEEGRINDER	
37	129512503	SCREW TCB 2,9X9,5 DIN 7981 NICK	
38	U201.001	PLAIN WASHER 3,2X9 DIN 7349 GAL	
39	9161.403.150	DOSE ADJUST. SCALE GREY RAL 7016	

Ref.	Code	Description	Version
40	149186150	BLACK UPPER GRINDER SUPPORT	
41		PARTICULAR NOT AVAILABLE	SEE PART. N°46
42	142844550	UPPER GRINDER COVER COFFEE GRINDER	
43	129931002	TORX SCREW T10 TCB 3,5X40 SX ZNG	
44	147470763	INCREASE SCREW PIN COFFEE GRINDER	
45	U201.002	PLAIN WASHER 10X16X0,2DIN 988 GAL	
46	226477700	KIT ITAL MILL GRINDERS	WITH PART. N°41
47	149188750	CONICAL GRIND. SUPP. + RING MAGIC	
48	146570950	RING NUT FOR GRINDING ADJUSTMENT	
49	128610421	STAIL.STEEL AISI 304 SPHERE D=3,2MM	
50	126770117	NEW SPRING SPHERE D=3,2 MOTOR	
51	9141.080	MOTOR SUPPORT	
52	140230400	SHOCK ABS. CONICAL GRINDER SUPP.	



Ref.	Code	Description	Version
01	9120.051.150	WIRED RATIOMOTOR ROYAL GREY ASSY.	
	9120.057.150	WIRED RATIOMOTOR ROYAL GREY ASSY. UL PARTICULAR NOT AVAILABLE	SEE PART.N°12
02			
03	129670202	TCB PANELVIT SCREW 3,5X16 TESTAD=8ZNP	
04	9121.043.150	RATIOMOTOR LID GREY	
05	9121.069.150	GEAR Z=108 FOR MOUNTING PLATE M4000	
06	9161.368	MYLAR WASHER FOR RATIOMOTOR	
07	NE05.038	MICROSWITCH	
08	149090500	DOUBLE SIDED ADHESIVE STRIP	
09	9121.063.150	RATIO MOTOR CASING WITH GREY TUBE ASSY.	
10	148380200	WASHER BAKELIZZATE D=5,5	
11	9121.046	SINTERED BUSH FOR MOTOR	
12	9120.053	GEN.MOTOR FOR RATIO MOTOR ROYAL	WITH PART.N°12,13
13	9121.044	ANTIVIBRATION FOR MOTOR	
14	9121.042	GEAR Z.12/90	
15	9161.427.050	PROTECTION BRACKET	
16	0360.025	MYLAR GUARD FOR ELECTRONICS	
17	U110.004	SCREW AUT.TCB 3,5X6,5 DIN 7981 F	
18	NE17.002	ADH.CABLE RETAI.ROUND CABLE D=10MM	
19	0348.R02.71A	SPARES WHOLE ELECTRONICS DIGIT PLUS WITH ALUMINIUM BOILER	230V (CH) (B) (D) (K)
	0348.R05.71A	SPARES WHOLE ELECTR. DIGIT PLUS STD WITH INOX BOILER	230V (CH) (B) (D) (K)
	0348.R01.77A	SPARES WHOLE ELECTRONICS DIGIT PLUS 230V WITH ALUMINIUM BOILER	(CH) (B) (D) (K) (RC)
	0348.R05.77A	SPARES WHOLE ELECTR. DIGIT PLUS STD 230V WITH INOX BOILER	(CH) (B) (D) (K) (RC)
	0348.R03.71A	SPARES WHOLE ELECTR. DIGIT GREY IT WITH ALUMINIUM BOILER	230V (AUS)
	0348.R04.71A	SPARES WHOLE ELECTR. DIGIT PLUS ITA WITH INOX BOILER	230V (AUS)
	0348.R03.77A	SPARES WHOLE ELECTR. DIGIT SIL.VER. IT WITH ALUMINIUM BOILER	230V (AUS) (F)
	0348.R04.77A	SPARES WHOLE ELECTR. DIGIT SIL.VER.IT WITH INOX BOILER	230V (AUS) (F)
	0348.R05.77F	SPARES WHOLE ELECTR. DIGIT PLUS STD WITH INOX BOILER	120V (USA)
20	20000922	KIT COMPLETE PROGRAMMER SW SERKIT	
21	U140.004	PANELVIT TCB 3,0X12 DIN 7505 B GAL	
22	0314.829.00A	POWER CARD ROYAL PROFESSIONAL 230V	WITH ALUMINIUM BOILER
	0351.804.00A	POWER CARD ROYAL PROFESSIONAL 230V	WITH INOX BOILER
	0351.804.00F	POWER CARD ROYAL PROFESSIONAL 120V	WITH INOX BOILER
23	0347.816	DISPLAY FOR ROYAL REDESIGN	
24	0348.009.710	GREY/7021 ELECTRONICS SUPPORT ROYAL	
24	0348.009.770	SILVER ELECTRONICS SUPPORT ROYAL	
25	0348.801	WHOLE KEYBOARD DIGITAL PLUS	

Ref.	Code	Description	Version
26	0348.802	CPU/TOUCH PANEL DIGITAL PLUS STD 85 WITH ALUMINIUM BOILER	
	0348.804	CPU/TOUCH PANEL DIGITAL PLUS ITA 86 WITH ALUMINIUM BOILER	(AUS) (F)
	0348.805	CPU/TOUCH PANEL DIGITAL PLUS STD 85 WITH INOX BOILER	
	0348.807	CPU/TOUCH PANEL DIGITAL PLUS ITA WITH INOX BOILER	(AUS) (F)
27	184950400	FUSE T8 AMP.5X20 SAND-BLASTED	
27	184950300	FUSE T32 M.AMP.5X20 DELAYED	
28	9161.429	CABLE CLAMP FOR BRACKET	
29	U145.002	SCREW AUT.TCB 3,0X6,0 PT WN1412 S	
30	0347.015	ADHESIVE FOR PACKAGING	
31	0348.008.710	GREY SERIG. ESCUTCHEON RAL 7021	
	0348.008.770	GREY SERIG. ESCUTCHEON	



Saeco
INTERNATIONAL GROUP

GRUPPO CAFFE' MAGIC-ROYAL



Cod. 11003800

POS	CODICE	DESCRIZIONE	NOTE	POS	CODE	DESCRIPTION	NOTE
01	11003789	MANICOTTO USCITA CAF.GRUPPO ROYAL NERO		01	11003789	BLACK COFFEE OUTLET SLEEVE	
02	9161.222	MOLLA CONICA		02	9161.222	CONICAL SPRING	
03	9991.168	SFERA IN VETRO D.5 MM		03	9991.168	GLASS SPHERE D.5MM	
04	11021334	GUARN.DE=11 DI=8 SP=1,5 X CONTROPIST.NER		04	11021334	BLK COUNTERPISTON SEAL DE=11 DI=8 SP=1,5	
05	11003796	CONTROPISTONE X GRUPPO CAFFE' NERO		05	11003796	BLACK COUNTERPISTON FOR COFFEE UNIT	
06	NM01.044	OR ORM 0320-40 IN SILICONE PTFE/FDA		06	NM01.044	OR ORM 0320-40 IN SILICONE PTFE/FDA	
07	11004114	PIASTRINA X AGGANCIO GRUPPO CAFFE' NERO		07	11004114	BLACK PLATE FOR UNIT COUPLING	
08	11003792	PIASTRA POSTERIORE GRUPPO CAFFE' NERO		08	11003792	BLACK REAR PLATE FOR UNIT	
09	U140.019	VITE TCB 3X16 PLAST.INOX		09	U140.019	SCREW TCB TORX 10 3X16 PLAST SS	
10	227470150	AS.PERNO X DOCCIA COMPLETO NERO		10	227470150	PIN BLACK ASS.FOR PERCOLATOR	
11	NM02.006	OR R5 TERMOIL		11	NM02.006	OR R5 TERMOIL	
12	9161.064.050	MANICOTTO ENTRATA ACQUA GRUP.CAFFE.NERO		12	9161.064.050	BLACK WATER INLET SLEEVE BREW UNIT	
13	NM02.007	OR 2025 TERMOIL		13	NM02.007	OR 2025 TERMOIL	
14	20000440	GRUPPO RICAMBIO MANICOTTO NERO		14	20000440	BLACK SPARE SLEEVE UNIT	
15	9160.075	AS.DOCCIA DE=35,8 ELFO C/VITE E DADO		15	9160.075	PERCOLATOR DE=35,8 ELFO ASSY.	
16	11001556	MOLLA RASATORE H=49 X GRUPPO CAF.SMART		16	11001556	SPRING H=49 FOR COFFEE BREW UNIT SMART	
17	9161.094.050	BLOCCHETTO FORATO GRUP.CAFFE' PAVNERO		17	9161.094.050	BLACK DRILLED BLOCK BREW UNIT	
18	11004161	RASATORE X GRUPPO CAFFE' NERO		18	11004161	BLACK SCRAPER FOR COFFEE UNIT	
19	9161.066.050	ALBERO A GOMITO X GRUPPO NERO		19	9161.066.050	ELBOW SHAFT FOR UNIT BLACK	
20	11003793	PIASTRA ANTERIORE GRUPPO CAFFE' NERO		20	11003793	BLACK FRONT PLATE FOR UNIT	
21	12000550	VITE TCB 3X25 PLAST.INOX		21	12000550	SCREW TCB TORX 10 3X25 PLAST.SS	
22	11003077	AS.PISTONE INTEGRALE GRUP.P124 8GR.NERO		22	11003077	BLACK INTEGRAL PISTON UNIT P124 8GR.ASS	
23	9161.198	MOLLA PISTONE GRUPPO CAFFE' M5000		23	9161.198	PISTON SPRING BREW UNIT M5000	
24	9161.191	BOCCOLA PISTONE GRUP.CAFFE.M5000 NEUTRO		24	9161.191	NEUTRAL PISTON BUSH BREW UNIT M5000	
25	NM02.018	OR METRICO 0090-25 IN TERMOIL		25	NM02.018	OR ORM 0090-25 TERMOIL	
26	11003075	AS.CONT.CAF.C/BOCC.SALD.GRUPP124 8G.NER	CON PART.N°25	26	11003075	BLACK COFFEE CONTAINER BREW UNIT P124	WITH PART.N°25
27	11003078	BIELLA X GRUPPO P124 8GR.NERO		27	11003078	BLACK CONNECTING ROD FOR UNIT P124 8GR.	
28	11003795	TRAMOGGIA GRUPPO CAFFE' NERO SER.PRESS		28	11003795	BLACK HOPPER FOR UNIT W/SILKSCREEN PRESS	
29	9161.046	MOLLA X RASATORE GRUPPO		29	9161.046	SPRING FOR UNIT SCRAPER	
30	12000897	VITE TCB 3,5X20 PLAST.INOX		30	12000897	SCREW TCB TORX 10 3,5X20 PLAST.SS	
31	9161.045	MOLLA X IMPUGNATURA GRUPPO		31	9161.045	SPRING FOR UNIT HANDGRIP	
32	11003791	IMPUGNATURA X GRUPPO CAFFE' NERO		32	11003791	BLACK HANDGRIP FOR COFFEE UNIT	
33	129912521	VITE TCBR 3,5X14 PLAST.INOX		33	129912521	SCREW TCBR TORX 10 3,5X14 PLAST.SS	
34	11023086	AS.GEN.PISTONE INTEGR.GRUP.CAF.8GR.NER.		34	11023086	BLK 8GR.BREW UNIT NTEGR.PISTON GEN.ASSY.	
35	11003800	GRUPPO CAFFE' MAGIC/ROYAL NERO		35	11003800	BLACK BREW UNIT MAGIC/ROYAL	

Saeco
INTERNATIONAL GROUP

GRUPPO CAFFE' MAGIC-ROYAL NERO

Rev. 03 - 23/11/09

TAVOLA 1/1