

**Saeco** SUP016RE  
INTERNATIONAL GROUP



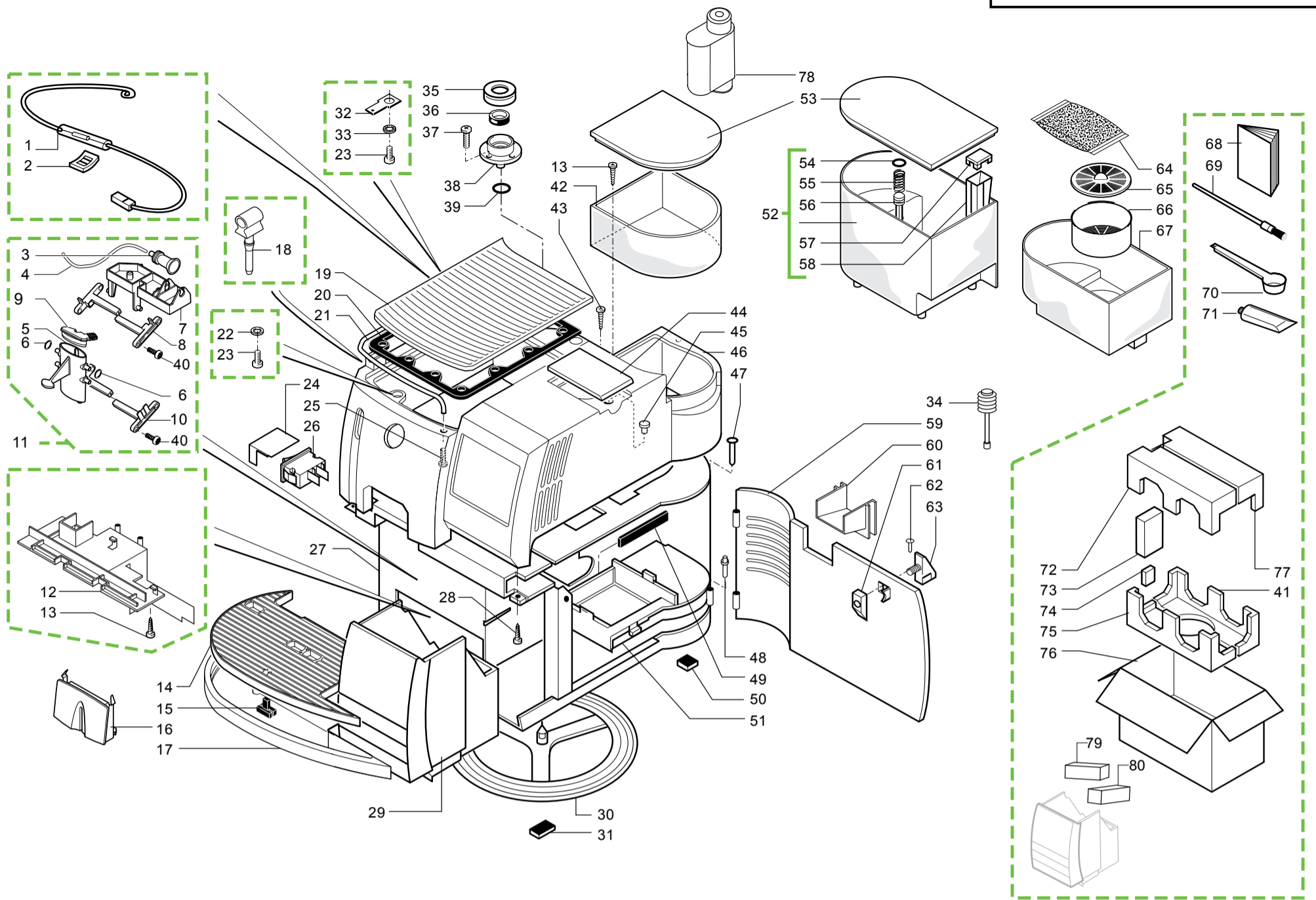
Cod.0351-0366-1000094

POS	CODE	DESCRIPTION	NOTE	POS	CODE	DESCRIPTION	NOTE
01	0301.812	CONNECTOR ASS. 4 POLE CUPWARMER	WITH ALUM.BOILER	29	11025952	SILVER DUMP BOX V2	
02	NF18.001	PLATE FOR PIN D.3,2				<b>FROM S/N. TV901104009688</b>	
03	0347.011.050	FIDEX SLEEVE		30	0301.048.150	ROTATING RING GREY	
04	JS01.005	SILICONE TUBE 5X8 BROWN	IN ROLL	31	9991.096	ADHESIVE FOOT 8X15X3,2	
05	0347.006.710	MOBILE DISPENSER CASING GREY		32	NE15.003	MALE TONGUE PLAIN 6,3 D.5,2	
06	NM02.010	OR ORM 0050-20 TERMOIL		33	128310402	GALV.WASHER UNI 8842 A4	
07	0347.005.710	FIXED CASING DISPENSER BLACK		34	147700200	LOADING PUMP DIAMETER 17 MM	(USA)
08	0347.A02.710	WHOLE MESH GREY UPPER DISP.RAL 7021		35	0701.031.150	SEAL COVER GREY	
09	0360.024.050	CAP FOR BODY		36	145842900	WATER CONTAIN.VALVE SEAL GACO DIM14	
10	0347.A05.710	WHOLE MESH GREY LOWER DISP.RAL7021		37	12000895	SCREW TSP TORX 10 3X10 PLAST.SS	
11	0347.A03.710	DISPENSER ASS. GREY RAL 7021		38	0701.014.150	SEAL CONTAINER GREY	
12	0301.033.150	TANK CASING GREY		39	140320461	OR ORM 0080-20 IN TERMOIL	
13	129670202	TCB PANELVIT SCREW 3,5X16 TESTA D=8 ZNP		40	129913202	SCREW TCB TORX 10 3X8 PLAST.ZN-B	
14	0347.009.430	CHROMATE GRID FOR TANK		41	0314.905	RIGHT LOWER INSERT IN TECHMATE	
15	0347.013.970	RED BALL FLOAT		42	0329.006.230	COFFEE CONTAINER	
16	0347.004.430	CHROMATE DISPENSER COVER			0317.010.230	COFFEE CONTAINER UL	
17	0314.022.760	DRIP TRAY PAINTED BLUE		43	129512921	SCREW TCB TORX 10 2,9X13 SHEET SS	
	0314.022.770	DRIP TRAY SILVER		44	0313.008.770	DOSER LID DIGITAL SILVER	
18	0312.016.280	RUBBER TUBE HOLDER GREY			0334.011.770	DOSER LID UL DIGITAL SILVER	
19	0312.015.66A	CUPWARMING PLATE ASS.SILVER	230V	45	0312.013.280	PLUG FOR SCREW HOLE GREY	
	0312.015.66F	CUPWARMING PLATE ASS.SILVER	120V	46	0351.001.770	LID SAECO PROFESSIONAL SILVER	
20	0312.014	CUPWARMER SEAL			0366.002.770	LID SAECO PROFESSIONAL SILVER	
21	0312.017	TUBE FOR CASING LID		47	0301.019	PEG FOR DOOR SUPERAUTOM.	
22	U201.005	PLAIN WASHER 4,3X12 DIN 7349 GAL		48	0301.020	PIN FOR DOOR SUPERAUTOMATICA	
23	129573202	SCREW TCB TORX 20 M4X8 AUTOF. ZN-B		49	9161.140	SEAL FOR UNIT PLATE	
24	0327.036	GENERAL SWITCH PROTECTION		50	147623150	BLACK SQUARE ADHESIVE FOOT 5023	
25	U043.012	SCREW TCBC M4,0X6 UNI 7687 GALV.		51	0301.041.150	UNIT SUPPORT PLATE GREY	
26	NE03.028	SWITCH B1031C1181000W		52	0301.046.230	WATER TANK ASS. SUPERAUTOM.	
	NE03.038	BIPOLAR SWITCH FUSIT C1250AR			0317.A16.230	WATER TANK ASS. MAGIC UL	
27	0314.007.760	CASING ASS. WITH SLOTS BLUE		53	20006540	KIT SPARES LID.CAF.ARG+LID WATER ARG.ROYAL	
	0314.007.660	CASING ASS. WITH SLOTS SILVER		54	NM01.032	OR ORM 0060-30 SILICONE BLACK	
	11025913	BLUE CASING WITH SLOTS V2 ASSY.		55	9161.110	SPRING FOR PISTON FOR SUPERAUTOM.	
	11025915	SILVER CASING WITH SLOTS V2 ASSY.		56	147660562	GREY WATER VALVE CONTAINER PISTON	
28	U110.005	SCREW AUT.TCB 3,9X9,5 DIN 7981 F		57	9161.050.230	NAT/TRANSPCAP FOR FLOATING SPACE MAGIC	
29	0312.032.760	DUMP BOX BLUE		58	9161.112.150	LEVEL FLOAT GREY	
	0312.032.770	DUMP BOX PAINTED SILVER		59	0313.001.760	DOOR ASS. ROYLA BLUE	
	11025950	ROYAL/BLUE DUMP BOX V2			0313.001.660	DOOR COVER S/SCREEN GREY	
		<b>FROM S/N. TV901104009688</b>		60	0313.012.760	DOOR COVER S/SCREEN BLUE	
		<b>FROM S/N. TV901104009687</b>			0313.012.660	COVER FOR DOOR S/SCREENED	
		<b>FROM S/N. TV901104009688</b>		61	0301.040.150	DOOR CLOSURE LEVER GREY	
		<b>FROM S/N. TV901104009687</b>		62	U433.001	NAIL 2X06 UNI 7591 BURN.	
		<b>FROM S/N. TV901104009688</b>		63	0301.039.760	DOOR CLOSURE KNOB BLUE	
		<b>FROM S/N. TV901104009687</b>			0301.039.660	DOOR CLOSURE KNOB SILVER TF	
		<b>FROM S/N. TV901104009688</b>		64	0313.013	RESIN PACKET INTAFIL SYSTEM	(D)
		<b>FROM S/N. TV901104009687</b>		65	0313.015	RESIN CONTAINER LID INTAFIL	(D)
		<b>FROM S/N. TV901104009688</b>		66	0313.014	RESIN CONTAINER INTAFIL SYSTEM	(D)
		<b>FROM S/N. TV901104009687</b>		67	0313.016	WATER TANK ADAPTER INTAFIL	(D)
		<b>FROM S/N. TV901104009688</b>					

**Saeco**  
INTERNATIONAL GROUP

**ROYAL PROFESSIONAL**

TABLE 1A/7



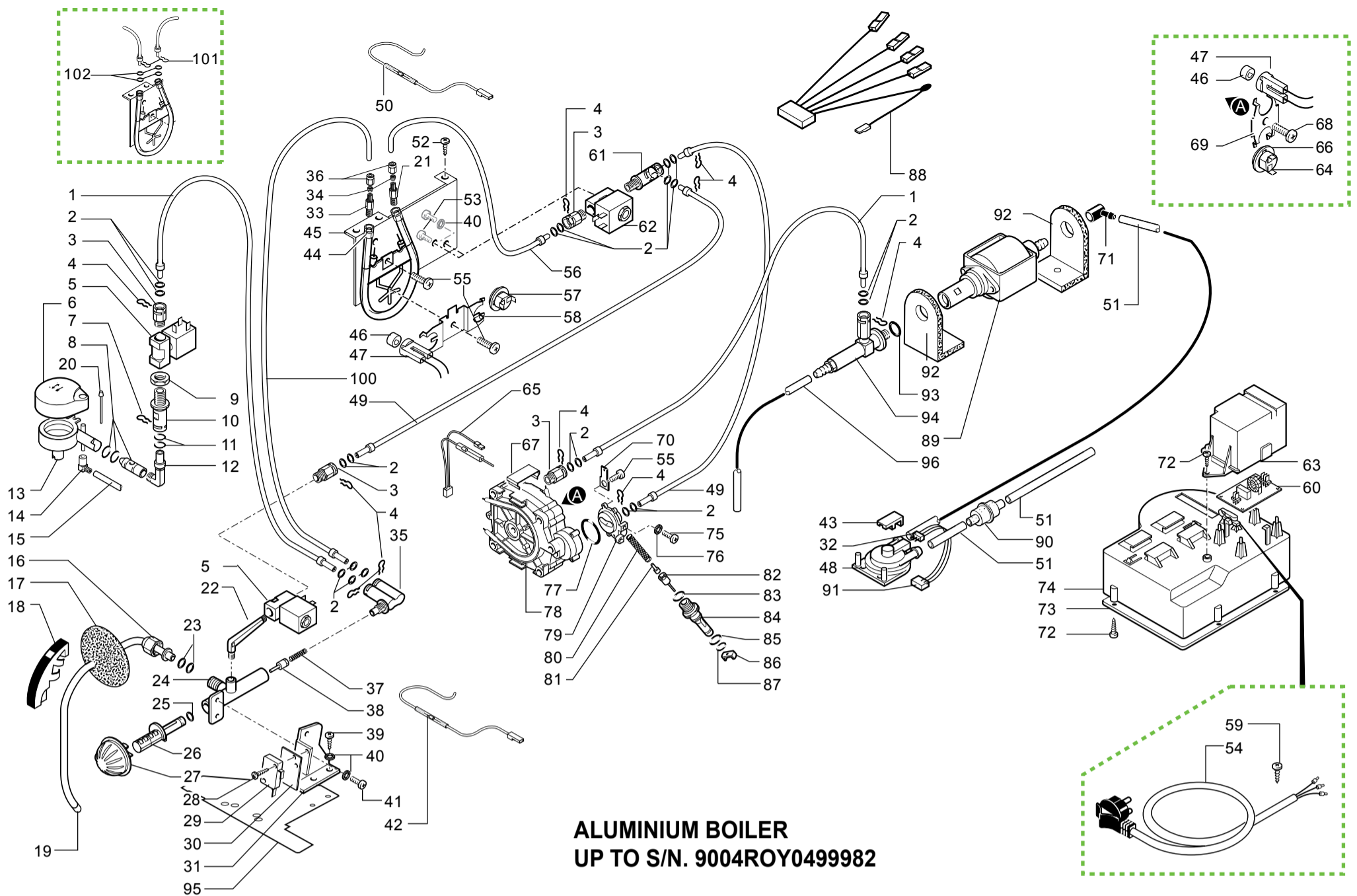
**Saeco** SUP016RE  
INTERNATIONAL GROUP



Cod.0351-0366-1000094

POS	CODE	DESCRIPTION	NOTE	POS	CODE	DESCRIPTION	NOTE
68	0351.951	INST. BOOKLET DIGITAL D					
	0351.952	INST. BOOKLET DIGITAL F					
	0351.953	INST. BOOKLET DIGITAL I					
	0351.954	INST. BOOKLET DIGITAL NL					
	0351.955	INST. BOOKLET DIGITAL GB					
	0351.956	INST. BOOKLET DIGITAL E					
	0351.957	INST. BOOKLET DIGITAL P					
69	127390100	BRUSH FOR CLEANING					
70	146680659	GREY MEASURE WITH HOLE					
	9991.040.060	MEASURE BROWN					
71	11005044	SAECO KLUBER TRIBOSTAR SIL 2 TUBE 5GR.					
72	0314.907	LEFT UPPER INSERT IN TECHMATE					
73	0314.909	DRIP TRAY BOX					
74	0330.906	SPACER IN POLYSTYRENE					
75	0314.904	LEFT LOWER INSERT IN TECHMATE					
76	0347.901	EXTERNAL BOX FLEXO ROYAL					
77	0314.906	RIGHT UPPER INSERT IN TECHMATE					
78	21001406	ACC SAE MAVEA UNI.WAT.FILTER	USA				
	21001404	ACC SAE BRITA UNI.WAT.FILTER	EUR-ASIA				
79	13001335	PE INSERT145X50X50 FOR DUMP BOX V2 ROYAL					
80	13001336	PE INSERT115X50X50 FOR DUMP BOX V2 ROYAL					





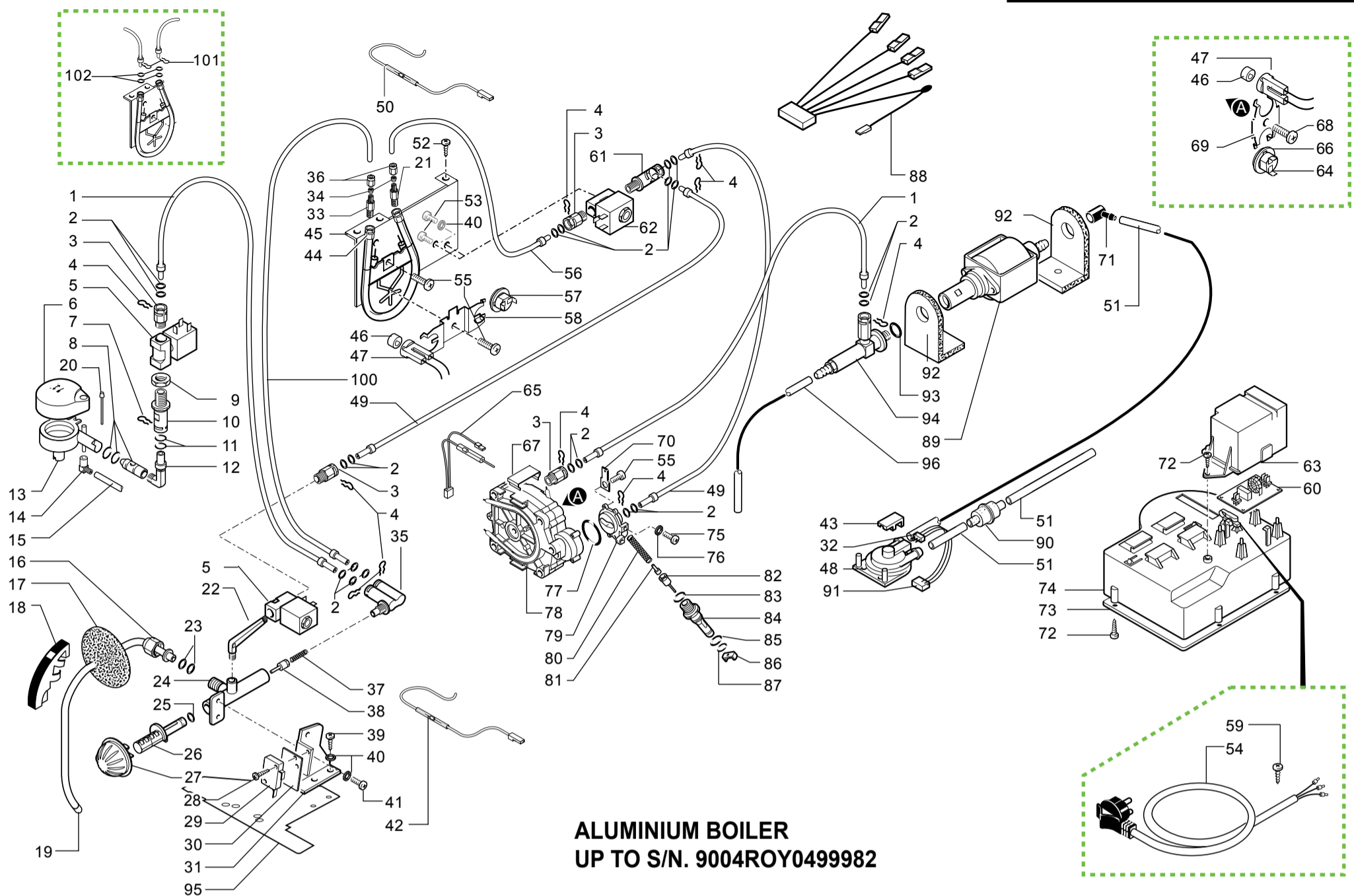
**ALUMINIUM BOILER  
UP TO S/N. 9004ROY0499982**

**Saeco** SUP016RE  
INTERNATIONAL GROUP



**Cod.0351-0366-1000094**

POS	CODE	DESCRIPTION	NOTE	POS	CODE	DESCRIPTION	NOTE
01	9979.A38	TEFLON TUBE ASS. 4X2 L.150 7-7		42	0314.810	CABLE 1 WIRE SILIC.WHITE TH/FUSE 192°	
02	NM02.028	OR 2015 EPDM FDA		43	9161.018	BRACKET FOR TURBINE	
03	9011.152	BRASS CONNECTOR 1/8" FOR TUBE D=4		44	0334.R10.00A	KIT SPARES BLECKMANN BOILER	230V
04	9011.144	FORK FOR TUBE D.4		45	0334.001	NEW SYSTEM BRACKET	
05	11008828	SOLE.N.VALVE OLAB 2 WAY 1/8" FEM.TEA	230V	46	11004424	ALUM.SPACER FOR PHILIPS SENSOR MAGIC	
	11008571	SOLE.N.VALVE 15VA 2 WAY 1/8" FEM.TEA	100V	47	9019.A65	SENSOR ASS. FOR AUTOMATICA	230V
06	0314.018.760	COVER FOR CAPPUCCINATORE BLUE		48	286473300	-M-VDE TURBINE WITH SENSOR KIT	
	0314.018.710	COVER FOR CAPPUCCINA. PAINTED GREY		49	9979.A55	TEFLON TUBE ASS. 4X2 L.260 7-7	
07	9161.135	SPRING FOR STEAM FAUCET		50	0334.822	CABLE 1 WIRE SILIC.WHITE TH/FUSE 216°	
08	142270200	TUBE+W/O RETAIN.CAPPUCCINATORE +2OR		51	9972.022	SILICONE TUBR 5X8 L.2MT	
09	U303.002	NUT HEXAGONAL M12X1,25UNI 5589		52	U110.004	SCREW AUT.TCB 3,5X6,5 DIN 7981 F	
10	11008452	TEA/BRASS SUPPORT FOR 90°CONNECTOR		53	U043.012	SCREW TCBC M4,0X6 UNI 7687 GALV.	
11	NM02.007	OR 2025 TERMOIL		54	NE01.120	CABLE SCHUKO GREY H05	(B) (D) (F) (ROK)
12	11008451	TEA/BRASS 90°CONNECT.FOR CAPPUCCIN			NE01.118	CABLE CH H05 GREY 1 MM	(CH)
13	142520130	CAPPUCCINATORE AS.NEUTRAL WHITE			NE01.112	CABLE TW 3 POLE GREY 1 MM	120V (RC)
14	9991.122.010	CONN. FOR CAPPUCCINATORE WHITE			NE01.114	POWER CABLE AUSTRALIA	(AUS)
15	9972.045	SILICONE TUBE 3,5X6 L.350 MM			NE01.116	CABLE USA 3P GREY 1 MM	(USA) (BR) (J)
16	9161.438	NUT FOR STEAM TUBE		55	U046.003	SCREW TCBC M4,0X12 INDENT. WASH.8	
17	9161.058.150	INTERNAL PROTECTION FOR TUBE GREY		56	9979.A64	TEFLON TUBE ASS. 4X2 L.280 7-7	UP TO S/N.362813
18	9161.055.710	HANDGRIP FOR ST. TUBE GREY			9979.A88	TEFLON TUBE ASS. 4X2 L.280 7	FROM S/N.362814
19	11004225	STAINLESS STEEL STEAM TUBE ROYALASSY.		57	NE09.006	THERMOSTAT 170°NC FAST. 90°+WASHER	
20	148870130	WHITE CAPPUCCINATORE PIN		58	9011.187	THERMOSTAT RETAINING SPRING	
21	227961803	NIK/BRASS INLET CONNECTOR BOILER		59	U140.009	PANELVIT TCB 3,0X16 DIN 7505 B GAL	
22	11008453	TEA/BRASS 90°CONNECTOR FOR FAUCET EV.		60	0314.804	FILTRATION CARD 12A	
23	140324461	OR ORM 0060-20 IN TERMOIL		61	11008823	TEA/BRASS 90°CONNECT.DOUBLE FAST/LOCK	
24	11009006	TEA/BRASS FAUCET BODY		62	11008573	SOLE.N.VALVE 15VA 2W.1/8"FEM.DN3 TEA	230V
25	140321461	OR 2018 IN EPDM		63	9161.126.150	COVER FOR FILTER CARD GREY	
26	9161.057	STEAM FAUCET ROD			9161.336.150	COVER FOR FILTER CARD GREY UL	
27	0347.017.710	GREY STEAM KNOB RAL 7021 SERIG.		64	NE09.021	THERMOSTAT 150°NC FASTON 90°	
28	U109.014	SCREW AUT.TCB 2,9X16 DIN 7981 C		65	0315.806	CABLE 1 WIRE SIL.BLUE JP12 TH/FUSE 192°	
29	NE05.013	MICROSWITCH		66	9991.085	THERMOSTAT FIXING WASHER	
30	11009072	INSULATE PROTECTION 24X38,8 FOR MICRO		67	9011.054	SPRING FOR THERMAL FUSE	
31	0312.011	STEAM FAUCET BRACKET		68	129828502	TCB SCREW M6X30 UNI 7687 ZNP	
32		PARTICULAR NOT AVAILABLE	SEE PART.N°48	69	9011.034	THERMOSTAT RETAINING SPRING	
33	227961903	NIK/BRASS CONNECT.FOR TUBE TEFLON 4X2	FROM S/N.362814	70	NE15.026	MALE TONGUE 45° 6,3 D.5,2	
34	9161.431	OGIVE BUSH D=4	FROM S/N.362814	71	147920150	90°CONNECTOR PUMP INLET	
35	11008822	TEA/BRASS 90°CONNECT.DOUBLE FAST/LOCK		72	129670202	TCB PANELVIT SCREW 3,5X16 TESTAD=8 ZNP	
36	123460220	BRASS NUT M8X1FOR TEFLON TUBE D=4	FROM S/N.362814	73	0301.055.150	LID FOR POWER CABLE CONT. GREY	
37	9011.007	SPRING FOR PIN		74	0301.056.150	POWER CABLE CONT. VDE GREY	
38	11009018	TEA/BRASS PISTON L=15,1 ASSY.		75	U043.021	SCREW TCBC M5,0X8 UNI 7687 GALV.	
39	U110.013	SCREW AUT.TCB 3,9X6,5 DIN 7981 F		76	U208.003	TOOTHED WASHER 5,1X9 BRU	
40	128310404	WASHER UNI 8842 A4 BURNISHED		77	NM01.022	OR 2106 SILICONE	
41	129823802	TCB SCREW M4X8 UNI 7687 ZNP		78	9019.A61.00A	BOILER CASINGS ASS. PROFESS.	230V



ALUMINIUM BOILER  
UP TO S/N. 9004ROY0499982

**Saeco** SUP016RE  
INTERNATIONAL GROUP

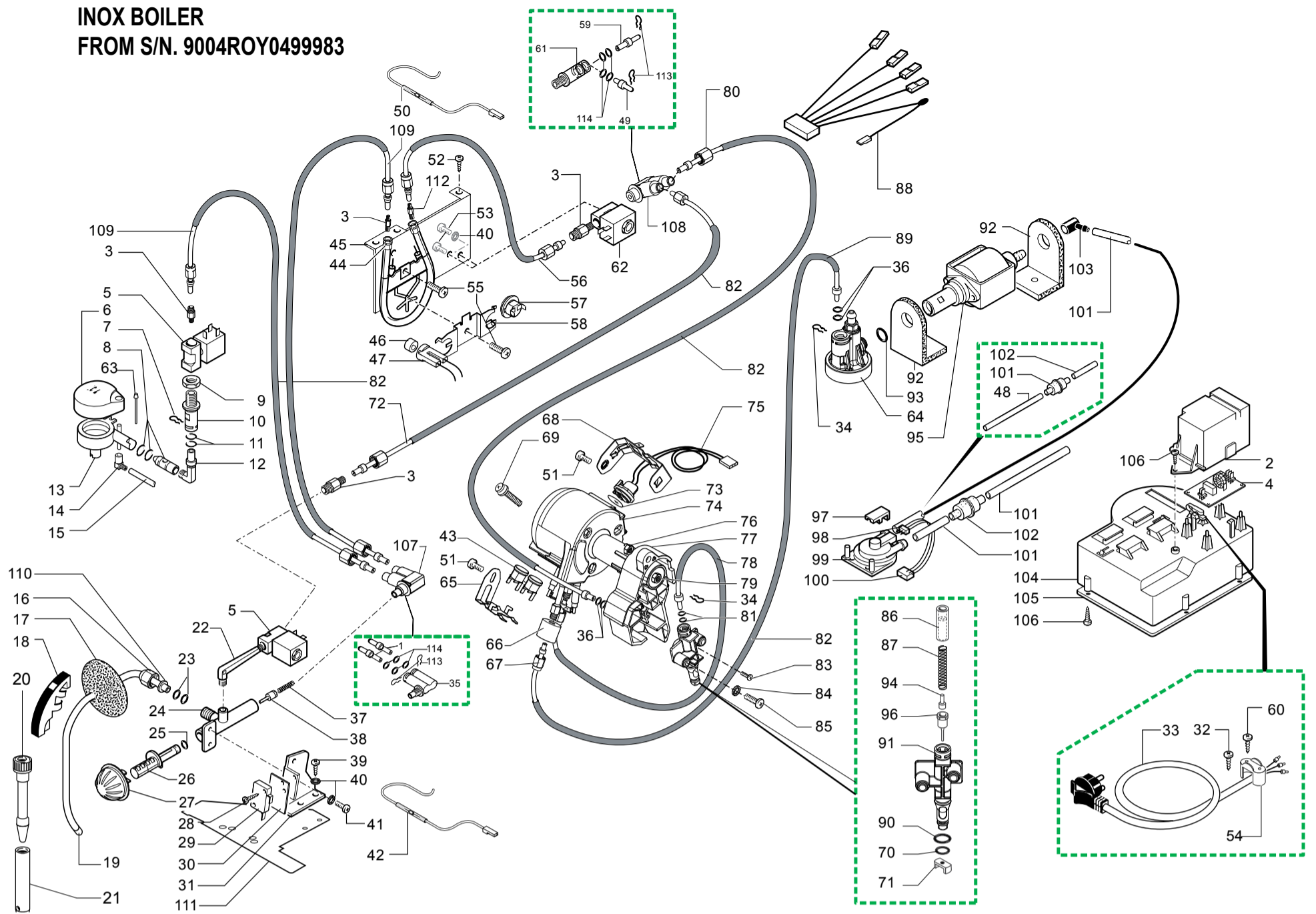


Cod.0351-0366-1000094

POS	CODE	DESCRIPTION	NOTE	POS	CODE	DESCRIPTION	NOTE
79	9011.165	BOILER SUPPORT WITH TUBE CONN. D.4					
80	9011.132	SPRING FOR PIN					
81	11009013	TEA/BRASS PIN FOR PISTON L=10					
82	11009019	TEA/BRASS PISTON L=20,9 ASSY.					
83	NM01.008	OR ORM 0080-20 SILICONE					
84	9011.100	PEG FOR VALVE IN PLASTIC					
85	NM01.035	OR ORM 0090-20 SILICONE					
86	11005099	NATURAL CURSOR V2 FOR BOILER P119					
87	NM01.057	OR ORM 0050-20 SILICONE					
88	0334.803	CONN.ASS. 5POLE					
	0334.810	CONN.ASS. 5POLE UL					
89	12000140	ULKA PUMP EP5/S GW	230V-50HZ				
	12000132	ULKA PUMP EP5/S GW	220V-50/60HZ				
90	144650300	SUCTION FILTER GAUZE NET 500 (NEW					
91	0314.815	CONNECTOR ASS. 3POLE TURBINE PROF.					
92	149185850	SUPPORT FOR EATON PUMP					
93	140321961	OR 2031 IN TERMOIL					
94	9079.A27	SAFETY VALVE ASS.FAST/LOCK UNIVERS					
95	11000839	BLACK CLOSURE PLATE					
	9010.R06.00A	KIT SPARES 9010.042.00A					
100	9979.A38	TEFLON TUBE ASS. 4X2 L.150 7-7	UP TO S/N.362813				
	9979.A50	TEFLON TUBE ASS. 4X2 L.150 7	FROM S/N.362814				
101	9011.144	FORK FOR TUBE D.4	UP TO S/N.362813				
102	NM02.028	OR 2015 EPDM FDA	UP TO S/N.362813				



**INOX BOILER  
FROM S/N. 9004ROY0499983**



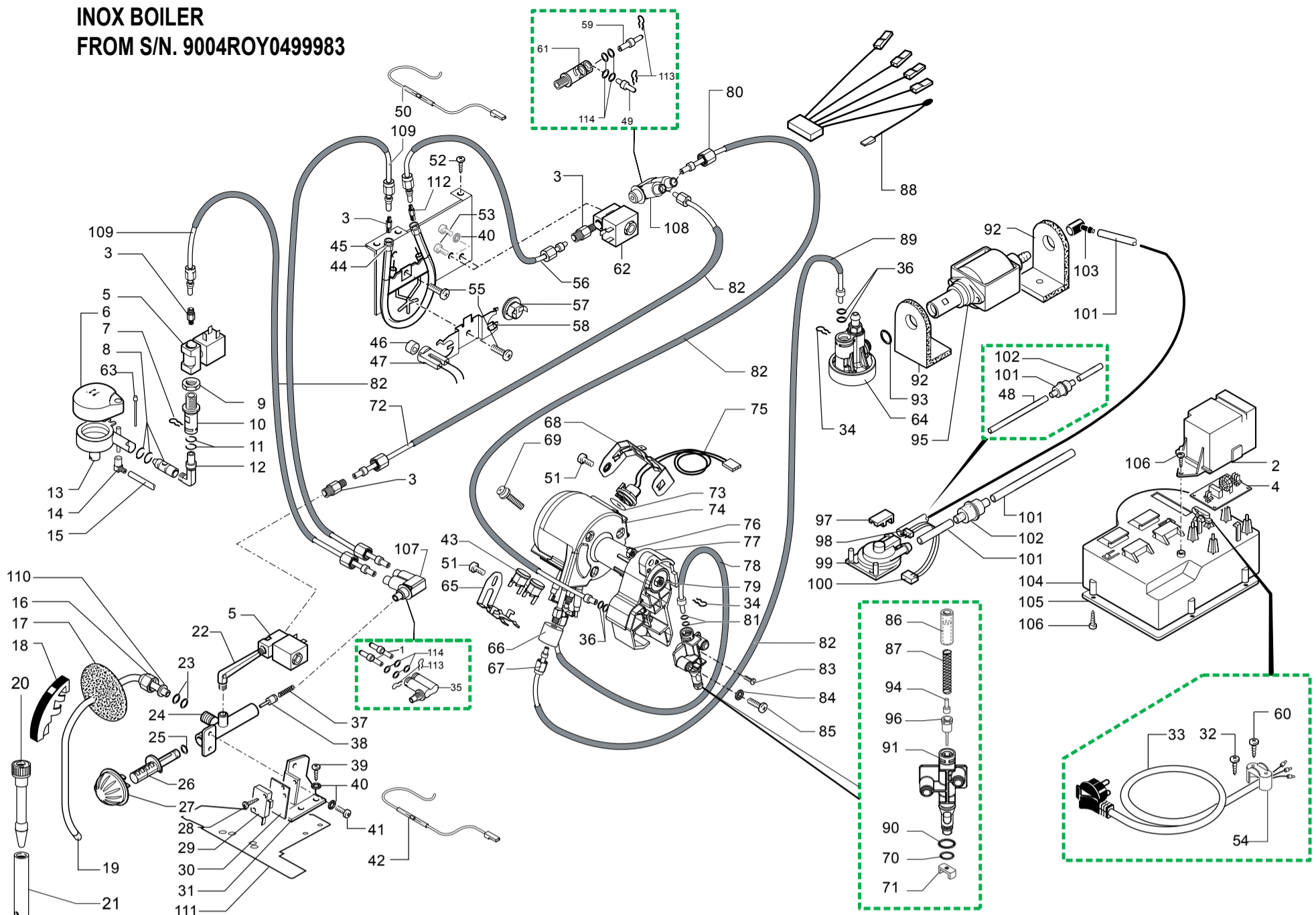
**Saeco** SUP016RE  
INTERNATIONAL GROUP



**Cod.0351-0366-1000094**

POS	CODE	DESCRIPTION	NOTE	POS	CODE	DESCRIPTION	NOTE
01	9979.B42	TEFLON ASS. TUBE 4X2 L.140 7	UP TO S/N. 9005ROY053648	34	9011.144	FORK FOR TUBE D.4	
02	9161.126.150	COVER FOR FILTER CARD GREY		35	9161.301	BRASS 90°CONNECT.DOUBLE FAST/LOCK	UP TO S/N.9005ROY0536489
	9161.336.150	COVER FOR FILTER CARD GREY UL	(USA)	36	140328059	OR 2015 IN SILICONE PTFE/FDA	
03	11009009	TEA/BRASS CONNECTFOR TUBE TEFLON 4X2		37	126765317	STEEL SPRING BOILER PISTON MAGIC	
04	0314.804	FILTRATION CARD 12A		38	11009018	TEA/BRASS PISTON L=15,1 ASSY.	
	0301.828.00F	FILTRATION CARD SUPERAUTOM. 120V	(USA) (RC) (J)	39	U110.013	SCREW AUT.TCB 3,9X6,5 DIN 7981 F	
05	11008569	SOLE.N.VALVE 15VA 2 WAY 1/8" FEM.TEA	230V/240	40	128310404	WASHER UNI 8842 A4 BURNISHED	
	11008570	SOLE.N.VALVE 15VA 2 WAY 1/8" FEM.TEA	120V (USA) (RC)	41	129823802	TCB SCREW M4X8 UNI 7687 ZNP	
	11008571	SOLE.N.VALVE 15VA 2 WAY 1/8" FEM.TEA	100V (J)	42	0354.809	CABLE 1WIRE SILIC.BLUE TH/FUSE 192°	
06	0314.018.760	COVER FOR CAPPUCINATORE BLUE		43	189428200	THERMOSTAT 175° 1NT-08L-3794	
	0314.018.710	COVER FOR CAPPUCINA. PAINTED GREY		44	9010.142.00A	BOILER ASS. PROFESSIONAL INOX 230V	UP TO S/N.9005ROY0536489
07	9161.135	SPRING FOR STEAM FAUCET			9010.142.00F	BOILER ASS. PROFESSIONAL INOX 100V	UP TO S/N.9005ROY0536489
08	142270200	TUBE+W/O RETAIN.CAPPUCINATORE +2OR			9010.142.00R	BOILER ASS. PROFESSIONAL INOX 100V	UP TO S/N.9005ROY0536489
09	U303.002	NUT HEXAGONAL M12X1,25UNI 5589			9010.150.00A	BLECKMANN BOILER PROFESSIONAL 230V ASSY.	FROM S/N.9005ROY0536490
10	11008452	TEA/BRASS SUPPORT FOR 90°CONNECT.			9010.150.00F	BLECKMANN BOILER PROFESSIONAL 120V ASSY.	FROM S/N.9005ROY0536490
11	NM02.007	OR 2025 TERMOIL			9010.150.00R	BLECKMANN BOILER PROFESSIONAL 100V ASSY.	FROM S/N.9005ROY0536490
12	11008451	TEA/BRASS 90°CONNECT.FOR CAPPUCIN		45	0334.001	NEW SYSTEM BRACKET	
13	142520130	CAPPUCINATORE AS.NEUTRAL WHITE		46	11004424	ALUM.SPACER FOR PHILIPS SENSOR MAGIC	
14	9991.122.010	CONN. FOR CAPPUCINATORE WHITE		47	9019.A72	SENSOR ASS. ROYAL	230V
15	9972.045	SILICONE TUBE 3,5X6 L.350 MM			9019.A73	SENSOR ASS. ROYAL	120V (USA) (RC) (J)
16	9161.438	NUT FOR STEAM TUBE		48	9972.166	SILICONE TUBE 5X10 60SH L=200MM	
17	9161.058.150	INTERNAL PROTECTION FOR TUBE GREY		49	227875100	CONNECTOR AS.TEFLON 2X4 L=275 MM	UP TO S/N.9005ROY0536489
18	9161.055.710	HANDGRIP FOR ST. TUBE GREY		50	0334.822	CABLE 1 WIRE SILIC.WHITE TH/FUSE 216°	
19	11004225	STAINLESS STEEL STEAM TUBE ROYAL ASSY.			0334.823	CABLE 1WIRE SIL.WHITE AWG16 TH/FUSE 216°	(USA) (RC)
20	9990.005.050	PANNARELLO ASS.MIELE BLACK	(J)	51	129573202	SCREW TCB PH/TT 4X8 UNI 8112 ZNP	
21	9991.153	EXTERNAL COVER PANNARELLO CHROMED	(J)	52	U110.004	SCREW AUT.TCB 3,5X6,5 DIN 7981 F	
22	11008453	TEA/BRASS 90°CONNECTOR FOR FAUCET EV.		53	U043.012	SCREW TCBC M4,0X6 UNI 7687 GALV.	
23	140324461	OR ORM 0060-20 IN TERMOIL		54	9991.039	CABLE RETAINER UL	(USA) (J)
24	11009006	TEA/BRASS FAUCET BODY		55	U046.003	SCREW TCBC M4,0X12 INDENT. WASH.8	
25	140321461	OR 2018 IN EPDM		56	9979.B47	TEFLON ASS. TUBE 4X2 L.320 OG-OG	
26	9161.057	STEAM FAUCET ROD		57	NE09.006	THERMOSTAT 170°NC FAST. 90°+WASHER	
27	0347.017.710	GREY STEAM KNOB RAL 7021 SERIG.		58	9011.187	THERMOSTAT RETAINING SPRING	
28	U109.014	SCREW AUT.TCB 2,9X16 DIN 7981 C		59	9979.A73	TEFLON ASS. TUBE 4X2 L.280 7-7	UP TO S/N.9005ROY0536489
29	NE05.013	MICROSWITCH		60	U109.005	SCREW AUT.TCB 3,5X16 DIN 7981 C	(USA) (J)
30	11009072	INSULATE PROTECTION 24X38,8 FOR MICRO		61	227901103	NIK/BRASS 90°CONNECT.DOUBLE FAST/LOCK	UP TO S/N.9005ROY0536489
31	0312.011	STEAM FAUCET BRACKET		62	11008573	SOLE.N.VALVE 15VA 2W.1/8" FEM.DN3 TEA	230V
32	U140.009	PANELVIT TCB 3,0X16 DIN 7505 B GAL			11008574	SOLE.N.VALVE 15VA 2W.1/8" FEM.DN3 TEA	120V (USA) (RC)
33	NE01.120	CABLE SCHUKO GREY H05	(B) (D) (F) (ROK)		11008575	SOLE.N.VALVE 15VA 2W.1/8" FEM.DN3 TEA	100V (J)
	NE01.118	CABLE CH H05 GREY 1 MM	(CH) (RC)	63	148870130	WHITE CAPPUCINATORE PIN	
	NE01.112	CABLE TW 3 POLE GREY 1 MM	120V	64	229452100	COMPENSATION AND SAFETY VALVE 16BAR ASSY	
	NE01.114	POWER CABLE AUSTRALIA	(AUS)	65	126838117	2 THERMOSTATS FIXING SPRING	
	NE01.116	CABLE USA 3P GREY 1 MM	(USA) (BR) (J)	66	147756562	PROTECT. FOR FOLK SPRING TUBE D=4	
	11000533	POWER CABLE ARGENTINA GREY L=1500MM		67	227876200	CONNECTOR AS.TEFLON 2X4 L=200 MM	

**INOX BOILER  
FROM S/N. 9004ROY0499983**



**Saeco** SUP016RE  
INTERNATIONAL GROUP

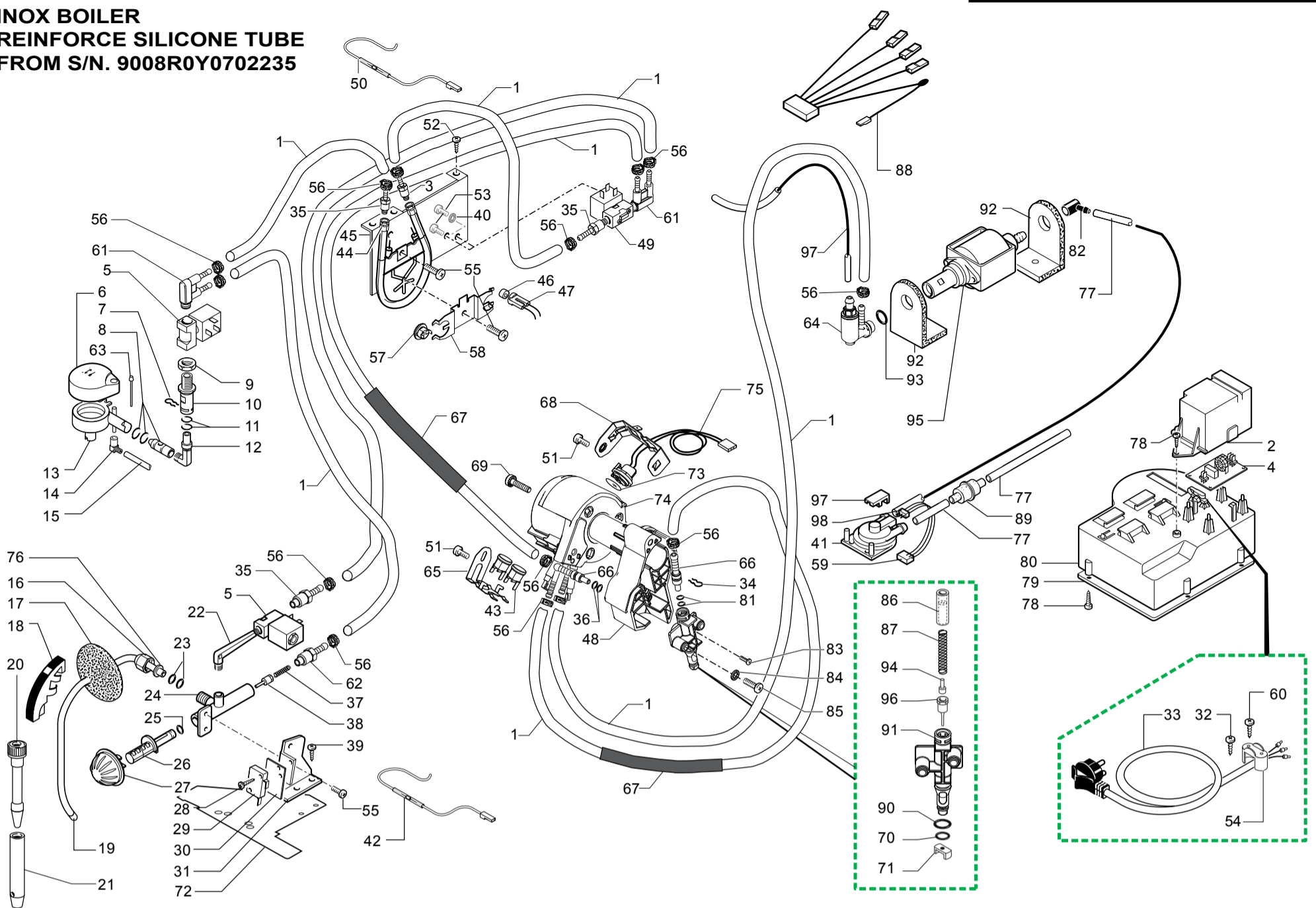


**Cod.0351-0366-1000094**

POS	CODE	DESCRIPTION	NOTE	POS	CODE	DESCRIPTION	NOTE
68	126838017	SENSOR FIXING SPRING		104	0301.056.150	POWER CABLE CONT. VDE GREY	
69	129932202	ROUND HEAD SCREW 10.9 M5X20 GALV			0335.008.150	POWER SUPPLY CABLE GREY UL	
70	NM01.057	OR ORM 0050-20 SILICONE		105	0301.055.150	LID FOR POWER CABLE CONT. GREY	
71	11005099	NATURAL CURSOR V2 FOR BOILER P119		106	129670202	TCB PANELVIT SCREW 3,5X16 TESTAD=8 ZNP	
72	9979.B43	TEFLON ASS. TUBE 4X2 L.280 OG-OGA	<b>FROM S/N.9005ROY0536490</b>	107	11008584	TEA/BRASS 90° DOUBLE CONNECTOR	<b>FROM S/N.9005ROY0536490</b>
73	145951600	ELECTRIC INSULATING DISK D=16		108	11008586	TEA/BRASS 90° DOUBLE CONNECTOR	<b>FROM S/N.9005ROY0536490</b>
74	282058858	ALUM.BOILER WITH RESISTANCE	230V -1100W	109	9979.B52	TEFLON ASS. TUBE 4X2 L.160	
	282058855	ALU.BOILER WITH RESISTANCE	120V -1100W	110	9161.440	SCRAPER	
	282058854	ALUM.BOILER WITH RESISTANCE	100V -1100W	111	11000839	BLACK CLOSURE PLATE	
75	288582300	SENSOR ELECTBOARD WITH CONNECT.ASSY.		112	11009010	TEA/BRASS INLET CONNECTOR BOILER	
76	U310.003	NUT SELF LOCK.M5 UNI 7473		113	9011.144	FORK FOR TUBE D.4	<b>UP TO S/N.9005ROY0536489</b>
77	9161.435	TUBOL.BOILER SUPPORT FOR SUPERAUT.		114	140329059	OR 2015 IN SILICONE PTFE/FDA	<b>UP TO S/N.9005ROY0536489</b>
78	9979.B27	TEFLON ASS. TUBE 2X4 L.280			9010.149.00F	BOILER PROFESSIONAL ASSY.	120V
79	123453902	SELF-LOCKI.NUT M5X0,8 DIN 980 CLA.8			9010.149.00R	BOILER PROFESSIONAL ASSY.	100V
80	9979.B29	TEFLON ASS. TUBE 2X4 L.280	<b>FROM S/N.9005ROY0536490</b>		9010.149.00A	BOILER PROFESSIONAL ASSY	230V
81	140326662	OR METRIC 0040-20 IN SILICONE					
82	9972.150	BLACK SILICONE TUBE 7,5X9,3 L=210 MM					
83	U140.004	PANELVIT TCB 3,0X12 DIN 7505 B GAL					
84	128310521	WASHER UNI 8842 A5 SS					
85	U043.030	SCREW TCBC M5,0X30 UNI 7687 GALV.					
86	11009012	TEA/BRASS BUSH PIN BOILER					
87	9011.132	SPRING FOR PIN					
88	0334.803	CONN.ASS. 5POLE					
	0334.810	CONN.ASS. 5POLE UL					
89	9979.A38	TEFLON TUBE ASS. 4X2 L.150 7-7					
90	NM01.035	OR ORM 0090-20 SILICONE					
91	9161.434	BOILER PIN					
92	149185850	SUPPORT FOR EATON PUMP					
93	140321961	OR 2031 IN TERMOIL					
94	11009013	TEA/BRASS PIN FOR PISTON L=10					
95	12000140	ULKA PUMP EP5/S GW	230V-50HZ				
	12000131	ULKA PUMP EP5/S	120V-60HZ				
	12000132	ULKA PUMP EP5/S GW	220V-50/60HZ				
	12000130	ULKA PUMP EP5/S GW	100V-50/60HZ				
96	11009019	TEA/BRASS PISTON L=20,9 ASSY.					
97	9161.018	BRACKET FOR TURBINE					
98		<b>PARTICULAR NOT AVAILABLE</b>	SEE PART.N°99				
99	286473300	-M-VDE TURBINE WITH SENSOR KIT	WITH PART.N°98				
100	0347.817	CONN. ASS. 3 POLE					
	0348.808	CONNECTOR ASS. 3POLE					
101	9972.022	SILICONE TUBR 5X8 L.2MT					
102	144650300	SUCTION FILTER GAUZE NET 500 (NEW)					
103	147920150	90°CONNECTOR PUMP INLET					



**INOX BOILER  
REINFORCE SILICONE TUBE  
FROM S/N. 9008R0Y0702235**



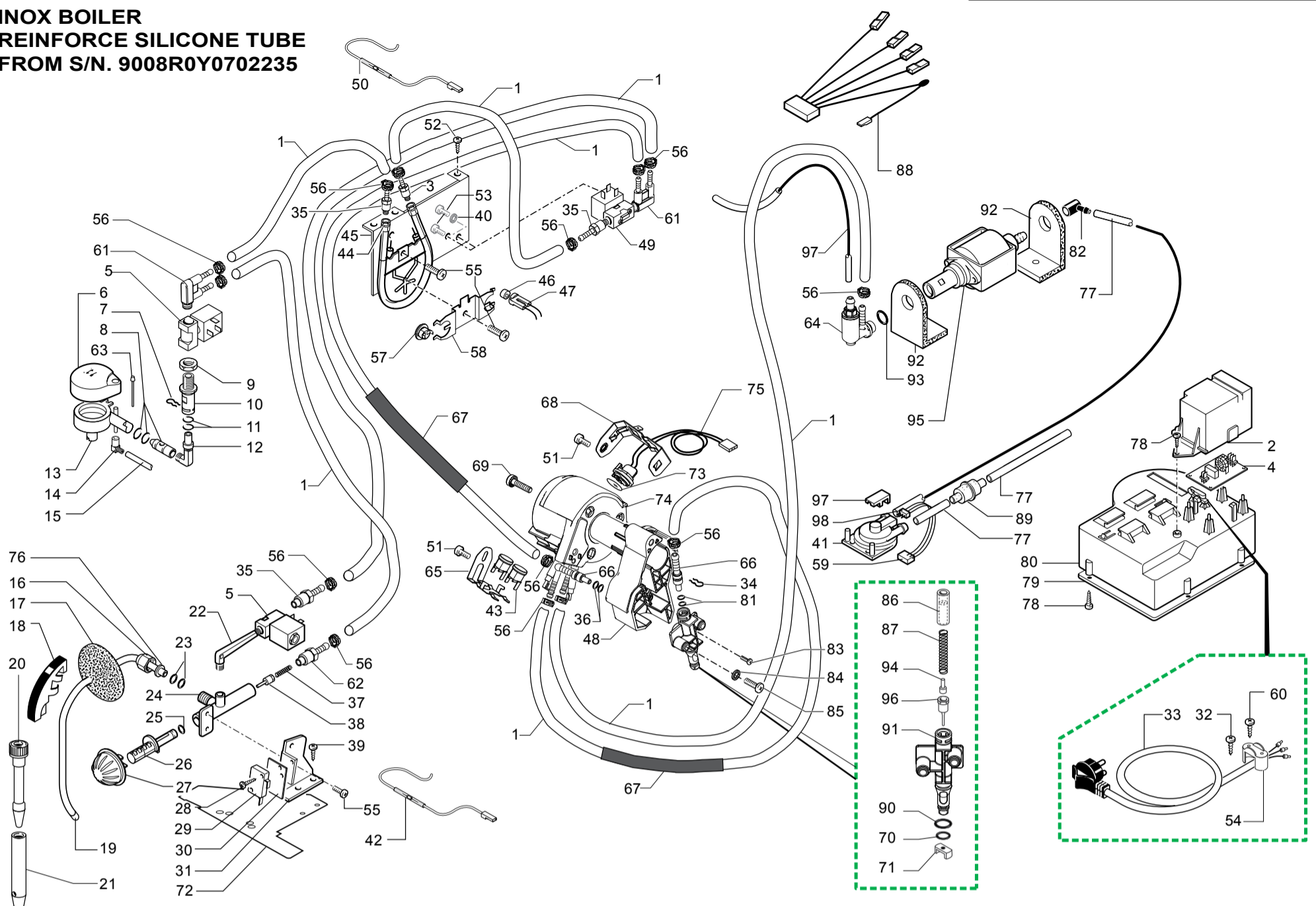
**Saeco** SUP016RE  
INTERNATIONAL GROUP



**Cod.0351-0366-1000094**

POS	CODE	DESCRIPTION	NOTE	POS	CODE	DESCRIPTION	NOTE
01	16000380	5X8,9 SILICONE TUBE	IN ROLL	34	11000533	POWER CABLE ARGENTINA GREY L=1500MM	
02	9161.126.150	COVER FOR FILTER CARD GREY		34	9011.144	FORK FOR TUBE D.4	
	9161.336.150	COVER FOR FILTER CARD GREY UL	(USA)	35	11006304	TEA/BRASS CONNECT. FOR ALUM. BOILER	
03	11010261	TEA/BRASS INLET CONNECTOR BOILER		36	140328059	OR 2015 IN SILICONE PTFE/FDA	
04	0314.804	FILTRATION CARD 12A	230V	37	126765317	STEEL SPRING BOILER PISTON MAGIC	
	0301.828.00F	FILTRATION CARD SUPERAUTOM.	120V (USA) (RC) (J)	38	11009018	TEA/BRASS PISTON L=15,1 ASSY.	
05	11008569	SOLE.N.VALVE 15VA 2 WAY 1/8" FEM.TEA	230V-240V	39	U110.013	SCREW AUT.TCB 3,9X6,5 DIN 7981 F	
	11008570	SOLE.N.VALVE 15VA 2 WAY 1/8" FEM.TEA	120V (USA) (RC)	40	128310404	WASHER UNI 8842 A4 BURNISHED	
	11008571	SOLE.N.VALVE 15VA 2 WAY 1/8" FEM.TEA	100V (J)	41	286473300	-M-VDE TURBINE WITH SENSOR KIT	WITH PART. N°98
06	0314.018.760	COVER FOR CAPPUCCINATORE BLUE		42	0354.809	CABLE 1WIRE SILIC.BLUE TH/FUSE 192°	
	0314.018.710	COVER FOR CAPPUCCINA. PAINTED GREY		43	189428200	THERMOSTAT 175° 1NT-08L-3794	
07	9161.135	SPRING FOR STEAM FAUCET		44	11010390	BLECKMANN BOILER V2 PROFESS.ASSY.	230V
08	142270200	TUBE+W/O RETAIN.CAPPUCCINATORE +2OR			11010391	BLECKMANN BOILER V2 PROFESS.ASSY.	120V
09	U303.002	NUT HEXAGONAL M12X1,25UNI 5589			11010392	BLECKMANN BOILER V2 PROFESS.ASSY.	100V
10	11008452	TEA/BRASS SUPPORT FOR 90°CONNECTOR		45	0334.001	NEW SYSTEM BRACKET	
11	NM02.007	OR 2025 TERMOIL		46	11004424	ALUM.SPACER FOR PHILIPS SENSOR MAGIC	
12	11008451	TEA/BRASS 90°CONNECT.FOR CAPPUCCIN.		47	9019.A72	SENSOR ASS. ROYAL	230V
13	142520130	CAPPUCCINATORE AS.NEUTRAL WHITE			9019.A73	SENSOR ASS. ROYAL	120V (USA) (RC) (J)
14	9991.122.010	CONN. FOR CAPPUCCINATORE WHITE		48	11010338	TUBOL BOILER SUPPORT V2 FOR ROYAL	
15	9972.045	SILICONE TUBE 3,5X6 L.350 MM		49	11008573	SOLE.N.VALVE 15VA 2W.1/8"FEM.DN3 TEA	230V-240V
16	9161.438	NUT FOR STEAM TUBE			11008574	SOLE.N.VALVE 15VA 2W.1/8"FEM.DN3 TEA	120V (USA) (RC)
17	9161.058.150	INTERNAL PROTECTION FOR TUBE GREY			11008575	SOLE.N.VALVE 15VA 2W.1/8"FEM.DN3 TEA	100V (J)
18	9161.055.710	HANDGRIP FOR ST. TUBE GREY		50	0334.822	CABLE 1 WIRE SILIC.WHITE TH/FUSE 216°	(USA) (RC)
19	11004225	STAINLESS STEEL STEAM TUBE ROYAL ASSY.			0334.823	CABLE 1WIRE SIL.WHITE AWG16 TH/FUSE 216°	
20	9990.005.050	PANNARELLO ASS.MIELE BLACK	(J)	51	129573202	SCREW TCB TORX 20 M4X8 AUTOFORM.ZN-B	
21	9991.153	EXTERNAL COVER PANNAREL.CHROMED	(J)	52	U110.004	SCREW AUT.TCB 3,5X6,5 DIN 7981 F	
22	11008453	TEA/BRASS 90°CONNECTOR FOR FAUCET EV.		53	U043.012	SCREW TCB TORX 20 M4X6 ZN-B	
23	140324461	OR ORM 0060-20 IN TERMOIL		54	9991.039	CABLE RETAINER UL	
24	11009006	TEA/BRASS FAUCET BODY		55	U046.003	SCREW TCBD TORX 20 M4X12 ZN-B	
25	140321461	OR 2018 IN EPDM		56	12000892	OETIKER CLAMP D=9,5 16700004	
26	9161.057	STEAM FAUCET ROD		57	NE09.006	THERMOSTAT 170°NC FAST. 90°+WASHER	
27	0347.017.710	GREY STEAM KNOB RAL 7021 SERIG.		58	9011.187	THERMOSTAT RETAINING SPRING	
28	U109.027	SCREW TCB TORX 10 2,9X19 SHEET SS		59	0347.817	CONN. ASS. 3 POLE	
29	NE05.013	MICROSWITCH			0348.808	CONNECTOR ASS. 3POLE	
30	11009072	INSULATE PROTECTION 24X38,8 FOR MICRO		60	U109.005	SCREW AUT.TCB 3,5X16 DIN 7981 C	(USA) (J)
31	0312.011	STEAM FAUCET BRACKET		61	11010243	TEA/BRASS 90° DOUBLE CONNECTOR	
32	U140.009	PANELVIT TCB 3,0X16 DIN 7505 B GAL		62	11011243	TEA/BRASS CONNECTOR FOR FAUCET	
33	NE01.120	CABLE SCHUKO GREY H05	(B) (D) (F) (ROK)	63	148870130	WHITE CAPPUCCINATORE PIN	
	NE01.118	CABLE CH H05 GREY 1 MM	(CH) (RC)	64	11004689	TEA/BRASS SAFETY VALVE 16-18 BAR ASSY.	
	NE01.112	CABLE TW 3 POLE GREY 1 MM	120V	65	126838117	2 THERMOSTATS FIXING SPRING	
	NE01.114	POWER CABLE AUSTRALIA	(AUS)	66	11000750	TEA/BRASS CONNECT.FOR SILICONE TUBE	
	NE01.116	CABLE USA 3P BLACK 1 MM	(USA) (BR) (J)	67	16000540	TRANSPAR.10,5X12,3 SILICONE TUBE	IN ROLL
				68	126838017	SENSOR FIXING SPRING	

**INOX BOILER  
REINFORCE SILICONE TUBE  
FROM S/N. 9008R0Y0702235**



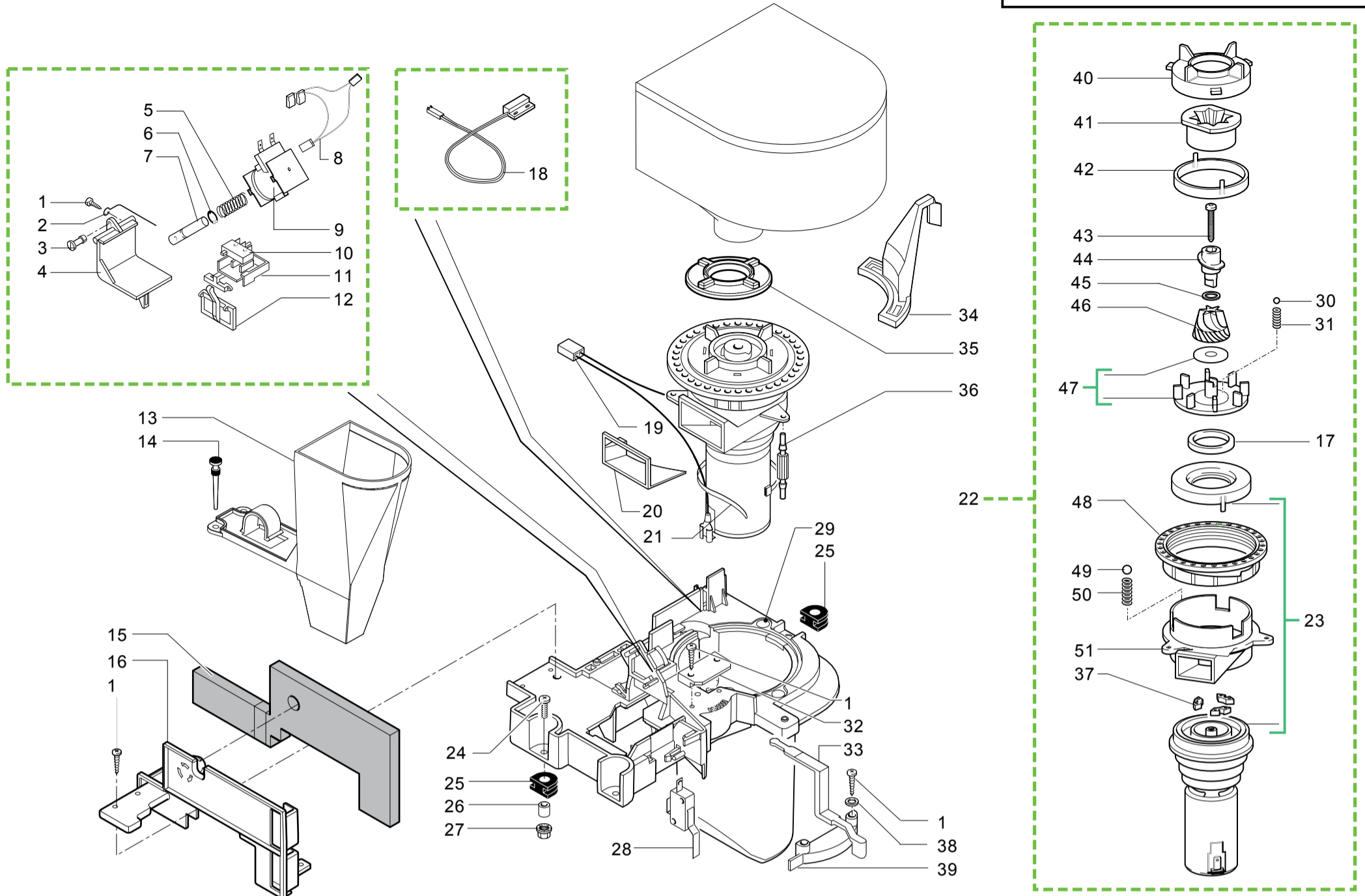
**Saeco** SUP016RE  
INTERNATIONAL GROUP



**Cod.0351-0366-1000094**

POS	CODE	DESCRIPTION	NOTE	POS	CODE	DESCRIPTION	NOTE
69	129932202	ROUND HEAD SCREW 10.9 M5X20 GALV					
70	NM01.057	OR ORM 0050-20 SILICONE					
71	11005099	NATURAL CURSOR V2 FOR BOILER P119					
72	11000839	BLACK CLOSURE PLATE					
73	145951600	ELECTRIC INSULATING DISK D=16					
74	11004667	ALUM.BOILER WITH RESISTANCE	230V-1100W				
	11004669	ALUM.BOILER W/RESISTANCE	120V-1100W				
	11004668	ALUM.BOILER WITH RESISTANCE	100V-1100W				
75	288582300	SENSOR ELECT.BOARD WITH CONNECT.ASSY.					
76	9161.444	SPACER					
77	JS01.022	SILICONE TUBE 5X10 60 SHORE	IN ROLL				
78	129670202	TCB PANELVIT SCREW 3,5X16 TESTAD=8 ZNP					
79	0301.055.150	LID FOR POWER CABLE CONT. GREY					
80	0301.056.150	POWER CABLE CONT. VDE GREY					
	0335.008.150	POWER SUPPLY CABLE GREY UL					
81	140326662	OR METRIC 0040-20 IN SILICONE					
82	147920150	90° INLET CONNECTOR PUMP					
83	U140.004	PANELVIT TCB 3,0X12 DIN 7505 B GAL					
84	128310521	WASHER UNI 8842 A5 SS					
85	U043.030	SCREW TCBC M5,0X30 UNI 7687 GALV.					
86	11009012	TEA/BRASS BUSH PIN BOILER					
87	9011.132	SPRING FOR PIN					
88	0334.803	CONN.ASS. 5POLE					
	0334.810	CONN.ASS. 5POLE UL					
89	144650300	SUCTION FILTER GAUZE NET 500 (NEW)					
90	NM01.035	OR ORM 0090-20 SILICONE					
91	9161.434	BOILER PIN					
92	149185850	EATON PUMP SUPPORT MAGIC 4002012					
93	140321961	OR 2031 IN TERMOIL					
94	11009013	TEA/BRASS PIN FOR PISTON L=10					
95	12000140	ULKA PUMP EP5/S GW	230V-50HZ				
	12000131	ULKA PUMP EP5/S	120V-60HZ				
	12000132	ULKA PUMP EP5/S GW	220V-50/60HZ				
	12000130	ULKA PUMP EP5/S GW	100V-50/60HZ				
96	11009019	TEA/BRASS PISTON L=20,9 ASSY.					
97	9161.018	BRACKET FOR TURBINE					
98		PARTICULAR NOT AVAILABLE	SEE PART.N°99				
	11010379	BOILER V2 PROFESSIONAL 230V ASSY.	COMPLETE				
	11010324	BOILER V2 PROFESSIONAL 120V ASSY.	COMPLETE				
	11010325	BOILER V2 PROFESSIONAL 100V ASSY.	COMPLETE				



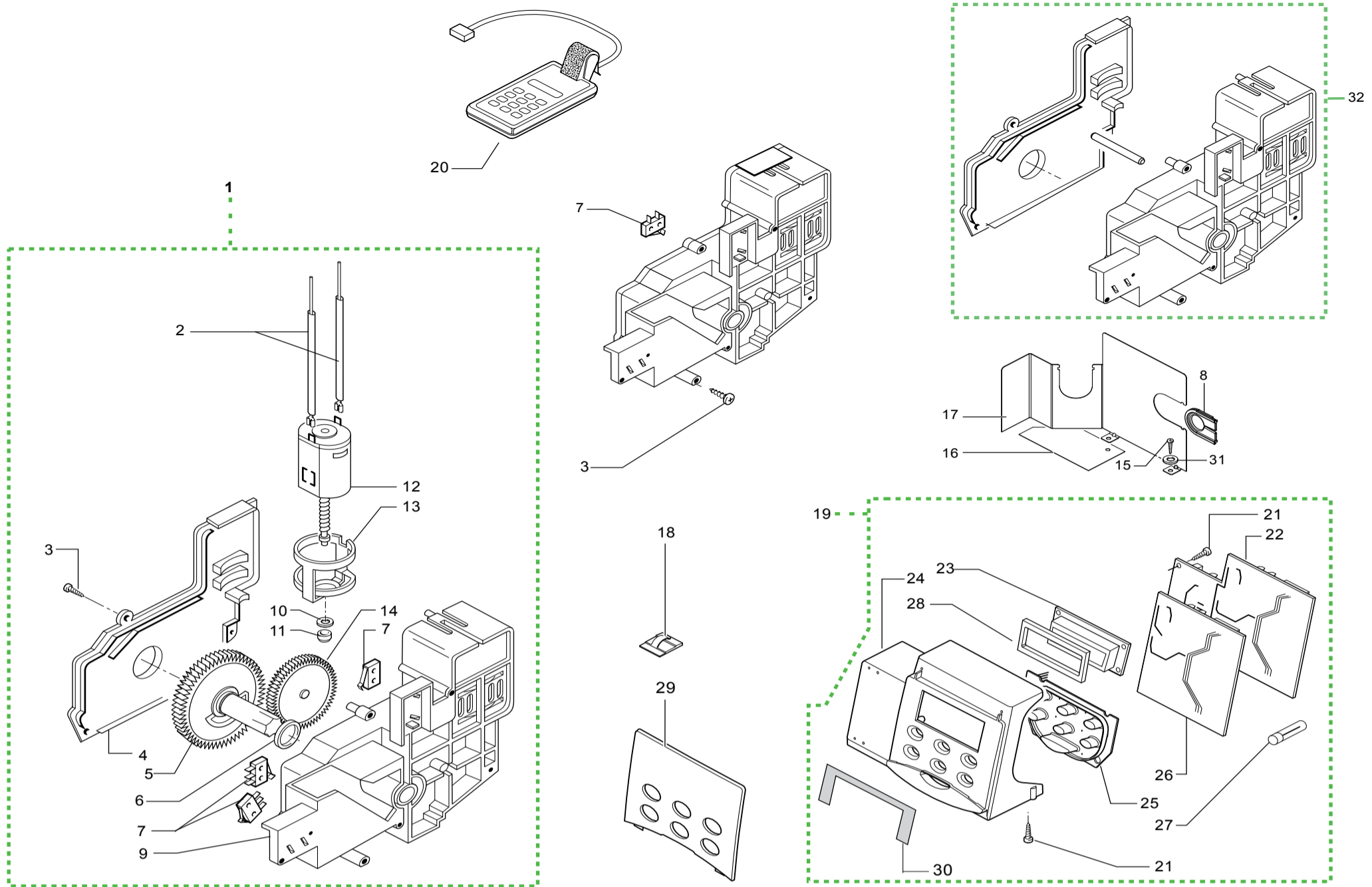


**Saeco** SUP016RE  
INTERNATIONAL GROUP



Cod.0351-0366-1000094

POS	CODE	DESCRIPTION	NOTE	POS	CODE	DESCRIPTION	NOTE
01	129913902	SCREW TCB TORX 10 3X12 PLAST.ZN-B		35	1505.020	GASKET COFFEE GRINDER UL	
02	9161.048	SCRAPER ROD		36	9991.103	ANTIVIBRATION FOR COFFEEGRINDER	
03	9161.076.150	DOSER DOOR PIN GREY		37	140230400	SHOCK ABS. CONICAL GRINDER SUPP.MAGIC	
04	9161.074.150	DOSER DOOR GREY		38	U201.001	PLAIN WASHER 3,2X9 DIN 7349 GAL	
05	126764818	SPRING ELECTROM.BEAN DOSER MAGIC		39	9161.403.150	DOSE ADJUST. SCALE GREY RAL 7016	
06	U701.003	SNAP RING 7 UNI 7434		40	149186150	BLACK UPPER GRINDER SUPPORT MAGIC	
07	9161.041	DOSER ELECTROMAGNET CORE		41		<b>PARTICULAR NOT AVAILABLE</b>	SEE PART.N°46
08	0301.866	CONNECTOR ASS. 2 POLE DOSER COIL		42	142844550	UPPER GRINDER COVER COFFEE GRIND. MAGIC	
09	9129.A21.00A	WHOLE COIL X SUPERAUT.	230V	43	129931002	TORX SCREW T10 TCB 3,5X40 SX ZNG	
	9129.A07.00H	COFFEE DOSER COIL ASS.	240V WITHALUMBOILER	44	147470763	INCREASE SCREW PIN COFFEE GRINDER MAGIC	
	9129.A07.00F	COFFEE DOSER COIL ASS.	120V	45	U201.002	PLAIN WASHER 10X16X0,2DIN 988 GAL	
10	NE05.017	MICROSWITCH		46	226477700	KIT ITAL MILL GRINDERS	WITH PART.N°41
11	9161.072.150	MICRO SUPPORT CURSOR GREY		47	149188750	CONICAL GRIND. SUPP. + RING MAGIC	
12	9161.073.150	DOSE CONTROL COMPENSATOR GREY		48	146570950	RING NUT FOR GRINDINGADJUST MAGIC	
13	9161.223.150	COMPL.HOPP.FOR POWDER COFFEE GRE.		49	128610421	STAIL.STELL AISI 304 SPHERE D=3,2MM	
14	9161.082	RUBBER COUPLER		50	126770117	NEW SPRING SPHERE D=3,2 MOTOR MAGIC	
15	9161.382	INSULATOR FOR COFFEE GRINDER		51	9141.080	MOTOR SUPPORT	
16	9161.366.150	GREY/7016 SUPPORT FOR INSULATOR					
17	140360200	FELT RING 40X34X5					
18	0301.811	CONNECTOR 2 POLES LEVEL ASSY.					
	0317.829	CONN. ASS. 2 POLE LEVEL UL					
19	0301.869	CONNECTOR ASS. 2 POLE COFFEEGRINDE					
	0301.868	CONNECTOR ASS. 2 POLE COFFEEGRINDE					
20	1505.014	COFFEEGRINDER SEAL					
21	144320200	SELF LOCK STRIP L=200MM					
22	9140.036.00A	STANDARD COFFEE GRINDER	230V				
	9140.035.00A	STANDARD COFFEE GRINDER ITA	230V				
	9140.036.00F	STANDARD COFFEE GRINDER	120V				
	9140.036.00R	STANDARD COFFEE GRINDER	100V				
23	0301.R10.00A	SPARE MOTOR UNIT MC	230V				
	1501.R09.00F	MOTOR SPARE UNIT	120V				
	1501.R09.00R	MOTOR SPARE UNIT	100V				
24	U043.004	SCREW TCBC M4,0X16 UNI 7687 GALV.					
25	9991.005	RUBBER FOR COFFEE GRINDER					
26	9141.003	SPACER FOR RUBBER					
27	U324.006	NUT M4 FLANGED INDENTED BASE					
28	NE05.037	MICROSWITCH					
29	9161.365.150	GREY PLATE FOR COFFEE GRINDER					
30	128610521	STAIL.STEEL AISI 304 SPHERE D=5,5MM					
31	126765517	STEEL SPRING SPHERE D=5,5 MOTOR MAGIC					
32	9161.097.150	LEVER FIXING PLATE GREY					
33	0313.003.150	ADJUSTMENT LEVER GREY RAL 7016					
34	9161.080.910	GRINDING ADJUSTM.LEVER SILV.TURMIX					



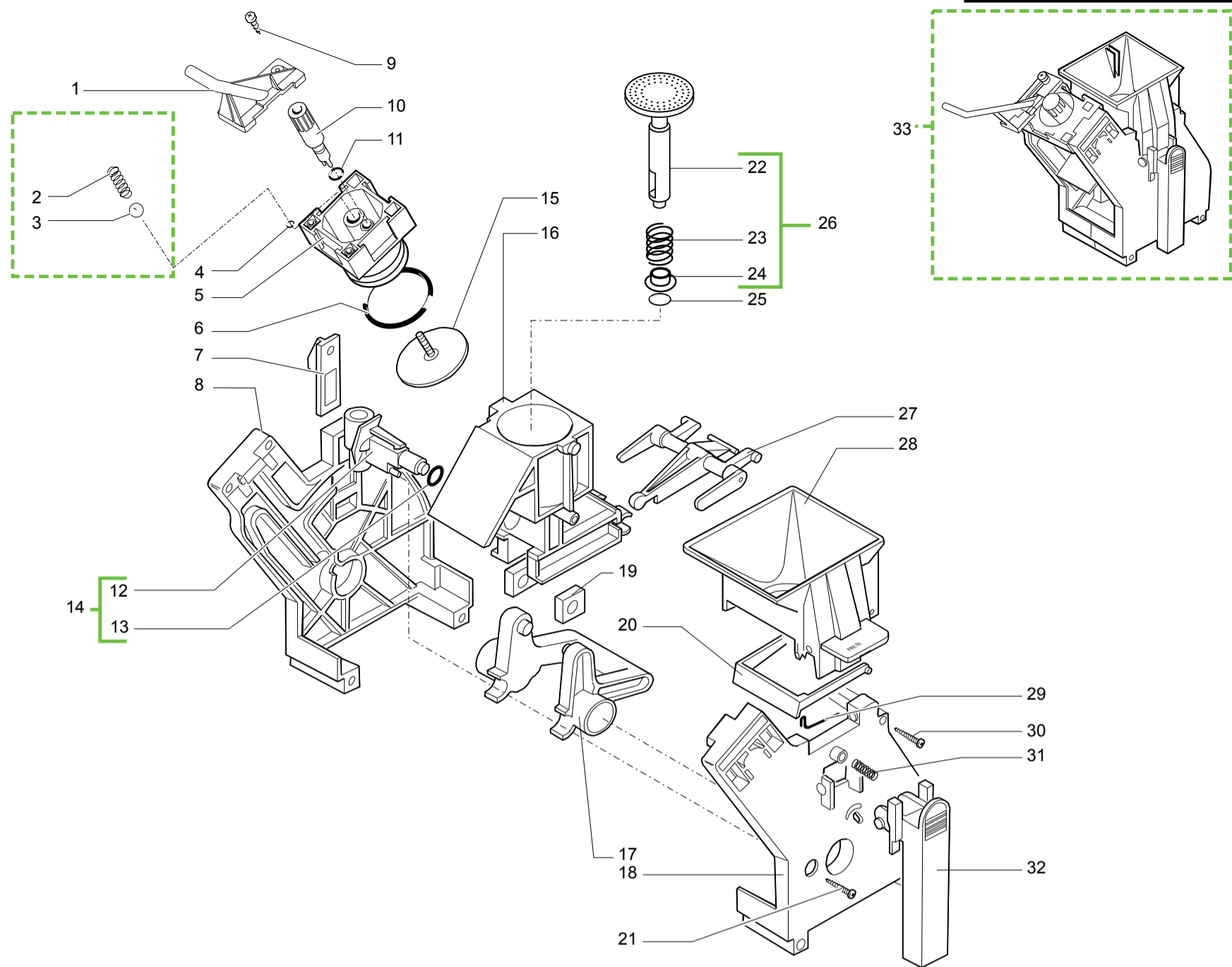
**Saeco** SUP016RE  
INTERNATIONAL GROUP



Cod.0351-0366-1000094

POS	CODE	DESCRIPTION	NOTE	POS	CODE	DESCRIPTION	NOTE
01	9120.051.150 9120.057.150	WIRED RATIOMOTOR ROYAL GREY ASSY. WIRED RATIOMOTOR ROYAL UL GREY ASSY		26	0351.801	CPU/TOUCH PANEL PROFESSIONAL 61 <b>WITH ALUMINIUM BOILER</b>	
02		PARTICULAR NOT AVAILABLE	SEE PART.N°12		0351.802	CPU/TOUCH PANEL PROFESSIONAL 61 <b>WITH ALUMINIUM BOILER</b>	
03	129670202	TCB PANELVIT SCREW 3,5X16 TESTAD=8 ZNP			0351.803	CPU/TOUCH PANEL PROFESSIONAL <b>WITH INOX BOILER</b>	
04	17000719	GREY RATIOMOTOR LID RYL <b>FROM S/N TV901202001268</b>			0351.808	CPU/TOUCH PANEL PROFESSIONAL <b>WITH INOX BOILER</b>	
05	9121.069.150	GEAR Z=108 FOR MOUNTING PLATE M4000			0351.821	CPU/TOUCH PANEL PROFESSIONAL 120V	USA RC
06	9161.368	MYLAR WASHER FOR RATIOMOTOR			0351.820	CPU/TOUCH PANEL PROFESSIONAL 120V	J
07	NE05.038	MICROSWITCH		27	184950400	FUSE T8 AMP.5X20 SAND-BLASTED	
08	9161.429	CABLE CLAMP FOR BRACKET			184950300	FUSE T32 M.AMP.5X20 DELAYED	
09	11027899	GREY RATIOMOTOR CASING W/DUCT V2 ASSY. <b>FROM S/N TV901202001268</b>		28	149090500	DOUBLE SIDED ADHESIVE STRIP	
10	148380200	WASHER BAKELIZZATE D=5,5		29	0351.002.770	SILVER SERIGRAPHED ESCUTCHEON	CHROME VERS.
11	9121.046	SINTERED BUSH FOR MOTOR			0354.004.770	SILVER SERIGRAPHED ESCUTCHEON	
12	9120.053 9120.059	GEN.MOTOR FOR RATIOMOTOR ROYAL DGT AS GEN.MOTOR FOR RATIOMOTOR ROYAL DGT UL AS	WITH PART.N°2,13 WITH PART.N°2,13	30	0347.015	ADHESIVE FOR PACKAGING	
13	9121.044	ANTIVIBRATION FOR MOTOR		31	128310404	WASHER UNI 8842 A4 BURNISHED	
14	9121.042	GEAR Z.12/90		32	20007052	SPARES KIT GEARS FOR RATIOMOTOR RYL <b>UP TO S/N TV901202001267</b>	
15	U110.004	SCREW AUT.TCB 3,5X6,5 DIN 7981 F					
16	0360.025	MYLAR GUARD FOR ELECTRONICS					
17	9161.427.050	PROTECTION BRACKET					
18	NE17.002	ADH.CABLE RETAI.ROUND CABLE D=10MM					
19	0351.R02.77A	SPARES WHOLE ELECTRONICS <b>WITH ALUMINIUM BOILER</b>					
	0351.R03.77A	SPARES WHOLE ELECTRONICS <b>WITH INOX BOILER</b>					
	0351.R03.77F	SPARES WHOLE ELECTRONICS					
	0351.R01.77A	SPARES WHOLE ELECTRONICS <b>WITH ALUMINIUM BOILER</b>					
	0351.R04.77A	SPARES WHOLE ELECTRONICS <b>WITH INOX BOILER</b>					
	0351.R03.77R	SPARES WHOLE ELECTRONICS					
20	20000922	KIT COMPLETE PROGRAMMER SW SERKIT					
21	129913202	SCREW TCB TORX 10 3X8 PLAST.ZN-B					
22	0314.829.00A	POWER CARD ROYAL PROFESSIONAL <b>WITH ALUMINIUM BOILER</b>	230V				
	0351.804.00A	POWER CARD ROYAL PROFESSIONAL <b>WITH INOX BOILER</b>	230V				
	0351.804.00F	POWER CARD ROYAL PROFESSIONAL	120V				
23	0347.816	DISPLAY FOR ROYAL REDESIGN					
24	11006458	SILVER ELECTRONICS SUPPORT ROYAL					
25	0348.801	WHOLE KEYBOARD DIGITAL PLUS					



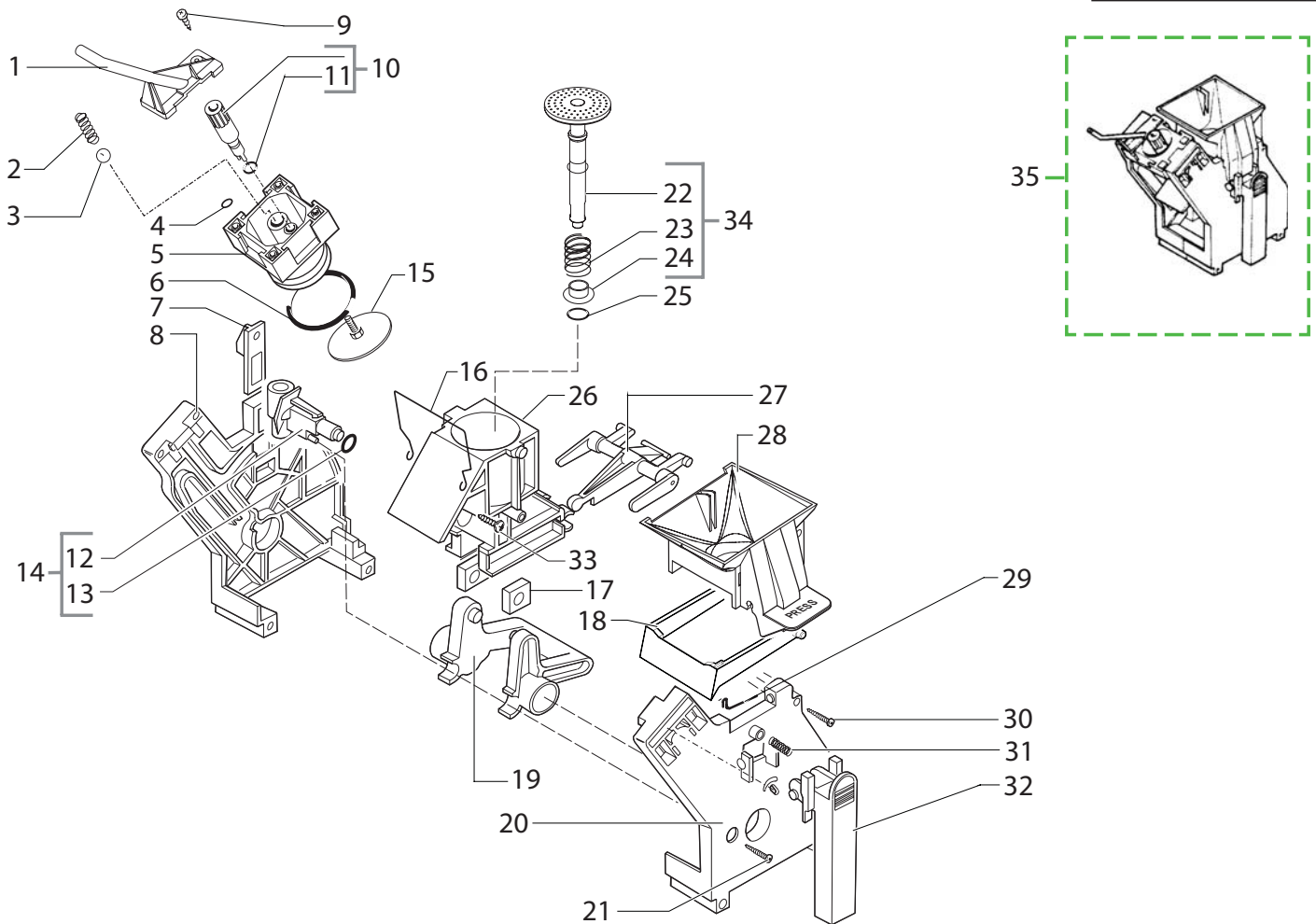


**Saeco** SUP016RE  
INTERNATIONAL GROUP



Cod.0351-0366-1000094

POS	CODE	DESCRIPTION	NOTE	POS	CODE	DESCRIPTION	NOTE
01	9161.367.150	GREY COFFEE OUTLET SLEEVE					
02	9161.222	CONICAL SPRING					
03	9991.168	GLASS SPHERE D.5MM					
04	NM02.013	OR ORM 0080-15 TERMOIL					
05	9161.193.150	GREY COUNTERPISTON FOR COFFEE UNIT					
06	NM01.044	OR ORM 0320-40 IN SILICONE PTFE/FDA					
07	9161.067.150	GREY PLATE FOR UNIT COUPLING					
08	9161.070.150	GREY REAR PLATE FOR UNIT					
09	U140.019	PANELVIT TCB 3,0X16 DIN 7505 B SS					
10	227470150	PIN BLACK ASS.FOR PERCOLATOR					
	227470159	PIN GREY ASS.FOR PERCOLATOR					
11	NM02.006	OR R5 TERMOIL					
12	9161.064.150	GREY WATER INLET SLEEVE BREW UNIT					
13	NM02.007	OR 2025 TERMOIL					
14	0301.R04.150	SPARE SLEEVE UNIT GREY					
15	223740300	PERCOLATOR DE=35,8 ASSY.					
	9160.075	PERCOLATOR DE=35,8 ELFO ASSY.					
16	9161.195.150	GREY CONTAINER FOR UNIT ASSY.					
17	9161.066.150	ELBOW SHAFT FOR UNIT GREY					
18	9161.071.150	GREY FRONT PLATE FOR UNIT					
19	9161.094.150	GREY DRILLED BLOCK BREW UNIT					
20	9161.060.150	GREY SCRAPER FOR COFFEE UNIT					
21	U140.020	PANELVIT TCB 3,0X16 DIN 7505 B SS					
22	9161.306.150	GREY INTEGRAL PISTON ASSY.					
23	9161.198	PISTON SPRING BREW UNIT M5000					
24	9161.191	NEUTRAL PISTON BUSH BREW UNIT M5000					
25	NM02.018	OR ORM 0090-25 TERMOIL					
26	9161.343.150	INTERGRAL PISTON ASS.					
27	9161.065.150	CONNECTING ROD FOR UNIT GREY					
28	9161.123.150	GREY HOPPER FOR UNIT W/SILK SCREEN PRESS					
29	9161.046	SPRING FOR UNIT SCRAPER					
30	U109.026	SS.SCREW AUT.TCB 3,5X19 DIN 7981 C					
31	9161.045	SPRING FOR UNIT HANDGRIP					
32	9161.069.150	GREY HANDGRIP FOR COFFEE UNIT					
33	11003800	BLACK BREW UNIT MAGIC/ROYAL (SEE COD. EXP. E90048) NOTE:FOR SINGLE PARTS OF OLD GRAY BREW UNIT: SEE THIS TABLE					



**Saeco**  
INTERNATIONAL GROUP

## GRUPPO CAFFE' MAGIC-ROYAL



Cod. 11003800

POS	CODICE	DESCRIZIONE	NOTE	POS	CODE	DESCRIPTION	NOTE
01	11003789	MANICOTTO USCITA CAF.GRUPPO ROYAL NERO		01	11003789	BLACK COFFEE OUTLET SLEEVE	
02	9161.222	MOLLA CONICA		02	9161.222	CONICAL SPRING	
03	9991.168	SFERA IN VETRO D.5 MM		03	9991.168	GLASS SPHERE D.5MM	
04	11021334	GUARN.DE=11 DI=8 SP=1,5 X CONTROPIST.NER		04	11021334	BLK COUNTERPISTON SEAL DE=11 DI=8 SP=1,5	
05	11003796	CONTROPISTONE X GRUPPO CAFFE' NERO		05	11003796	BLACK COUNTERPISTON FOR COFFEE UNIT	
06	NM01.044	OR ORM 0320-40 IN SILICONE PTFE/FDA		06	NM01.044	OR ORM 0320-40 IN SILICONE PTFE/FDA	
07	11004114	PIASTRINA X AGGANCIO GRUPPO CAFFE' NERO		07	11004114	BLACK PLATE FOR UNIT COUPLING	
08	11003792	PIASTRA POSTERIORE GRUPPO CAFFE' NERO		08	11003792	BLACK REAR PLATE FOR UNIT	
09	U140.019	VITE TCB 3X16 PLAST.INOX		09	U140.019	SCREW TCB TORX 10 3X16 PLAST SS	
10	227470150	AS.PERNO X DOCCIA COMPLETO NERO		10	227470150	PIN BLACK ASS.FOR PERCOLATOR	
11	NM02.006	OR R5 TERMOIL		11	NM02.006	OR R5 TERMOIL	
12	9161.064.050	MANICOTTO ENTRATA ACQUA GRUP.CAFFE.NERO		12	9161.064.050	BLACK WATER INLET SLEEVE BREW UNIT	
13	NM02.007	OR 2025 TERMOIL		13	NM02.007	OR 2025 TERMOIL	
14	20000440	GRUPPO RICAMBIO MANICOTTO NERO		14	20000440	BLACK SPARE SLEEVE UNIT	
15	9160.075	AS.DOCCIA DE=35,8 ELFO C/VITE E DADO		15	9160.075	PERCOLATOR DE=35,8 ELFO ASSY.	
16	11001556	MOLLA RASATORE H=49 X GRUPPO CAF.SMART		16	11001556	SPRING H=49 FOR COFFEE BREW UNIT SMART	
17	9161.094.050	BLOCCHETTO FORATO GRUP.CAFFE' PAVNERO		17	9161.094.050	BLACK DRILLED BLOCK BREW UNIT	
18	11004161	RASATORE X GRUPPO CAFFE' NERO		18	11004161	BLACK SCRAPER FOR COFFEE UNIT	
19	9161.066.050	ALBERO A GOMITO X GRUPPO NERO		19	9161.066.050	ELBOW SHAFT FOR UNIT BLACK	
20	11003793	PIASTRA ANTERIORE GRUPPO CAFFE' NERO		20	11003793	BLACK FRONT PLATE FOR UNIT	
21	12000550	VITE TCB 3X25 PLAST.INOX		21	12000550	SCREW TCB TORX 10 3X25 PLAST.SS	
22	11003077	AS.PISTONE INTEGRALE GRUP.P124 8GR.NERO		22	11003077	BLACK INTEGRAL PISTON UNIT P124 8GR.ASS	
23	9161.198	MOLLA PISTONE GRUPPO CAFFE' M5000		23	9161.198	PISTON SPRING BREW UNIT M5000	
24	9161.191	BOCCOLA PISTONE GRUP.CAFFE.M5000 NEUTRO		24	9161.191	NEUTRAL PISTON BUSH BREW UNIT M5000	
25	NM02.018	OR METRICO 0090-25 IN TERMOIL		25	NM02.018	OR ORM 0090-25 TERMOIL	
26	11003075	AS.CONT.CAF.C/BOCC.SALD.GRUPP124 8G.NER	CON PART.N°25	26	11003075	BLACK COFFEE CONTAINER BREW UNIT P124	WITH PART.N°25
27	11003078	BIELLA X GRUPPO P124 8GR.NERO		27	11003078	BLACK CONNECTING ROD FOR UNIT P124 8GR.	
28	11003795	TRAMOGGIA GRUPPO CAFFE' NERO SER.PRESS		28	11003795	BLACK HOPPER FOR UNIT W/SILKSCREEN PRESS	
29	9161.046	MOLLA X RASATORE GRUPPO		29	9161.046	SPRING FOR UNIT SCRAPER	
30	12000897	VITE TCB 3,5X20 PLAST.INOX		30	12000897	SCREW TCB TORX 10 3,5X20 PLAST.SS	
31	9161.045	MOLLA X IMPUGNATURA GRUPPO		31	9161.045	SPRING FOR UNIT HANDGRIP	
32	11003791	IMPUGNATURA X GRUPPO CAFFE' NERO		32	11003791	BLACK HANDGRIP FOR COFFEE UNIT	
33	129912521	VITE TCBR 3,5X14 PLAST.INOX		33	129912521	SCREW TCBR TORX 10 3,5X14 PLAST.SS	
34	11023086	AS.GEN.PISTONE INTEGR.GRUP.CAF.8GR.NER.		34	11023086	BLK 8GR.BREW UNIT NTEGR.PISTON GEN.ASSY.	
35	11003800	GRUPPO CAFFE' MAGIC/ROYAL NERO		35	11003800	BLACK BREW UNIT MAGIC/ROYAL	

**Saeco**  
INTERNATIONAL GROUP

## GRUPPO CAFFE' MAGIC-ROYAL NERO

Rev. 03 - 23/11/09

TAVOLA 1/1