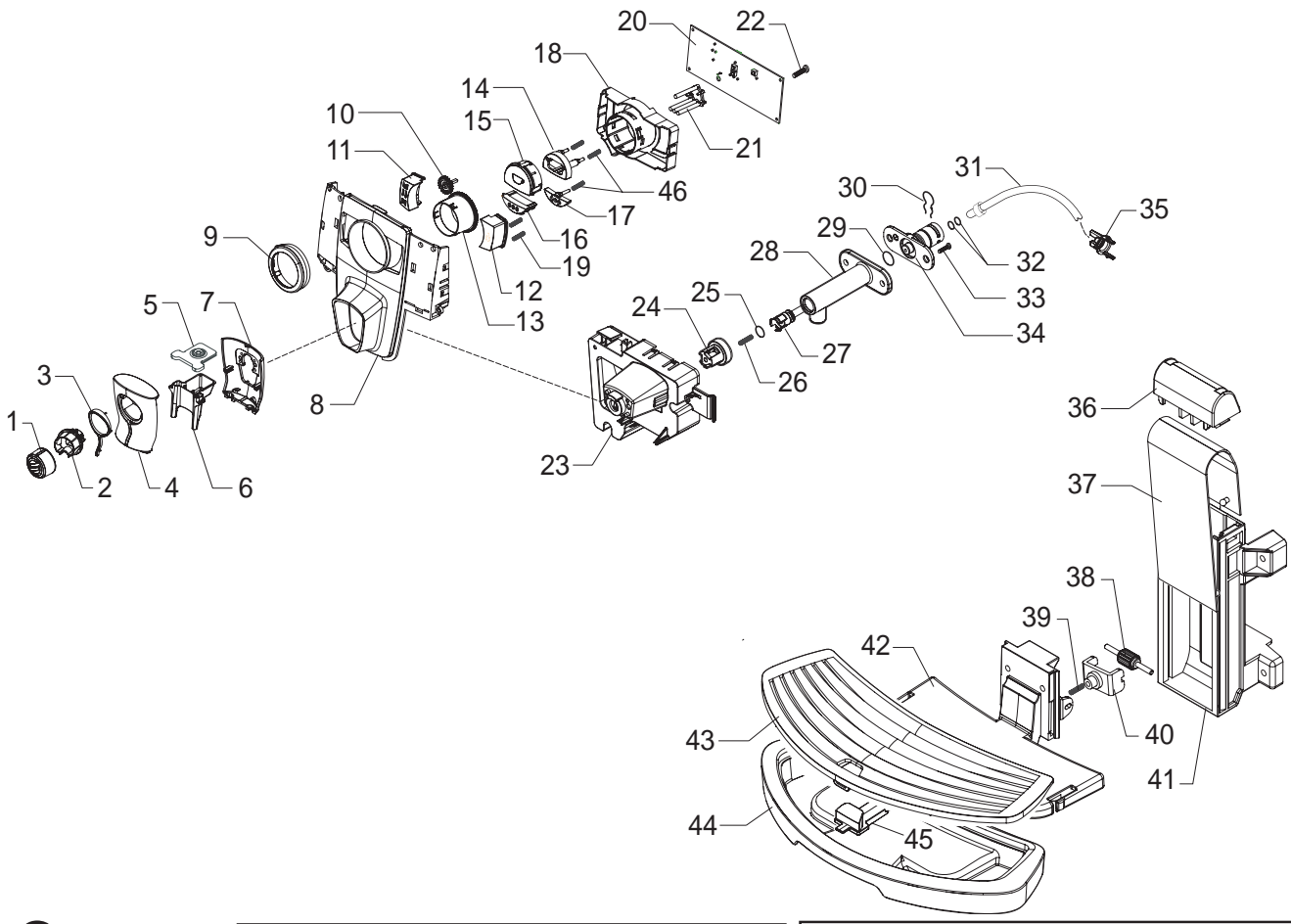


Saeco SUP032OR
INTERNATIONAL GROUP

CE Cod. 1000223-240-1383-1532-1533
1534-1535-1536-1537-1538-1539

POS	CODE	DESCRIPTION	NOTE	POS	CODE	DESCRIPTION	NOTE
01	11004087	SPECCH. WATER TANK OUTLET COVER P0053		40	11001340	BLACK DOOR PIN P0049	
02	11001668	NATURAL/GREY WATER CONTAINER LID P0053		41	11001362	SPRING FOR LOCK P0049	
03	11002017	TRANSPARENT WATER CONTAINER P0053 ASSY.		42	11004084	SPECCHIATO DOOR P0053	
04	224640200	EXTERNAL FILTER FOR WATER CONTAINER AS.	WITH PART. N°05	43	11003785	BLACK GRINDER ADJUSTMENT KEY P0049	
05	140328461	EPDM OR METRIC 0190-10		44	15001339	MANUAL INSTRUCTIONS V2 SAECO P0053/A D/I	
06	11003672	SPRING FOR WATER CONTAINER VALVE P0049			15001360	MANUAL INSTRUCTIONS V2 SAECO P0053/A E/P	
07	11003673	GREY WATER CONTAINER VALVE INSERT P0049			15001361	MANUAL INSTRUCTIONS V2 SAECO P0053/A GB/F	
08	11003671	TRANSP.VALVE FOR WATER CONTAINER P0049			15001362	MANUAL INSTRUCTIONS SAECO P0053/A NL/PL	
09	11001298	BLACK LID FOR DUCKBILL VALVE		45	21000961	ACC SAE BRITA WATER FILTER 1 UNIT EUR	
10	13000141	UPPER TECHMATE INSERT FOR BOX P0053		46	127390100	BRUSH FOR CLEANING	
11	13000140	LOWER TECHMATE INSERT FOR BOX P0053		47	183930650	PO.CABL.CH BLACK 3X1 H05VV-F L=1200	
12	13000391	DISPLAY BOX V2 SAECO P0053			183911050	POWER CABLE SCHUKO BLACK L=1200	
13	11004057	CHROMED WATER-STEAM KNOB P0053			183921950	POWER CABLE SJT3 USA BLACK UL L=1200	
14	11005287	BLACK BUSH FOR STEAM KNOB			183940650	BLACK POWER CABLE AUST.3X1 H05VVF L=1200	
15	11004142	SILVER PLATE LOGO SAECO NEW P0049/P0053			183980650	POWER CABL.JAPPON VCTF BLACK L=1200	
16	11004081	TITANIO COVER WITHOUT OPEN P0053			11001985	BLACK POWER CABLE KOREA 3X1,25 L=1200	
17	11004080	SPECCHIATO COVER WITHOUT OPEN P0053			11004245	BLACK POWER CABLE BRAZIL. W/CONNECT.L=1200	
18	11002096	TRANSP.LATE INFRAREDS PLATE P0053			11004246	BLACK POWER CABLE TAIWAN HVCTF L=1200	
19	11004920	BLACK PLATE WITH LOGO TALEA P0053 GIRO			11004247	BLACK POWER CABLE RVV 3X1 CHINA L=1200	
20	140321461	OR 2018 IN EPDM		48	11003154	BLACK REED SENSOR SUPPORT P0049	
21	11003821	BLACK CAP FOR CONNECTIONS P0049/P0053		49	11005044	SAECO KLUBER TRIBOSTAR SIL 2 TUBE 5GR.	
22	11000223	BLACK WHEEL FOR CASING BOTTOM P124		50	11005040	SPRING FOR ON-OFF BUTTON P0049	
23	11004058	SPECCHIATO LEFT SIDE CASING P0053		51	11003889	2POLES CONNECT. SENSOR REED DOOR P0049	
24	11001624	STEAM TUBE WASHER P0049		52	129912702	SCREW PT TORX 3X10 WN 1411 GALVANIZ	
25	NF11.084	FOLK SPRING		53	12000510	SCREW TORX T10 3,5X30 UNI9786 GALVANIZED	
	11001360	PWR BOARD P0049/P0053	230V				
	11003968	PWR BOARD P0049/P0053	100-120V				
26	11002030	TRANSPAR.BEAN COFF.CONTAIN.LID ASS.P0053					
27	11002843	BLACK POWER BOARD PROTECTION P0053/A					
28	11003937	NATUR/GREY GROUND COFF.CONTA.CAP P0053					
29	11001662	NATURAL/GREY BEAN CONTAINER P0053					
30	11002016	MOUNTING PLATE ASSY.WITH PIN P0053					
31	12000280	CUP SOCKET EN 60320 C 13					
32	11007060	GENERAL SWITCH FOR P124					
33	11004066	SPECCHIATO RIGHT SIDE CASING P0053					
34	11004072	SPECCHIATO ON-OFF BUTTON INSERT P0049					
35	11004056	CHROMED ON-OFF SWITCH BUTTON P0049					
36	11004082	SPECCHIATO DRIP TRAY COFFEE UNIT P0053					
37	11003533	BLACK DUMP BOX P0049 W/OUT S.SCREEN ASSY.					
38	11001659	BLACK INSIDE COVER DOOR P0053					
39	9161.111	MAGNET FOR FLOAT SUPERAUTOM.					

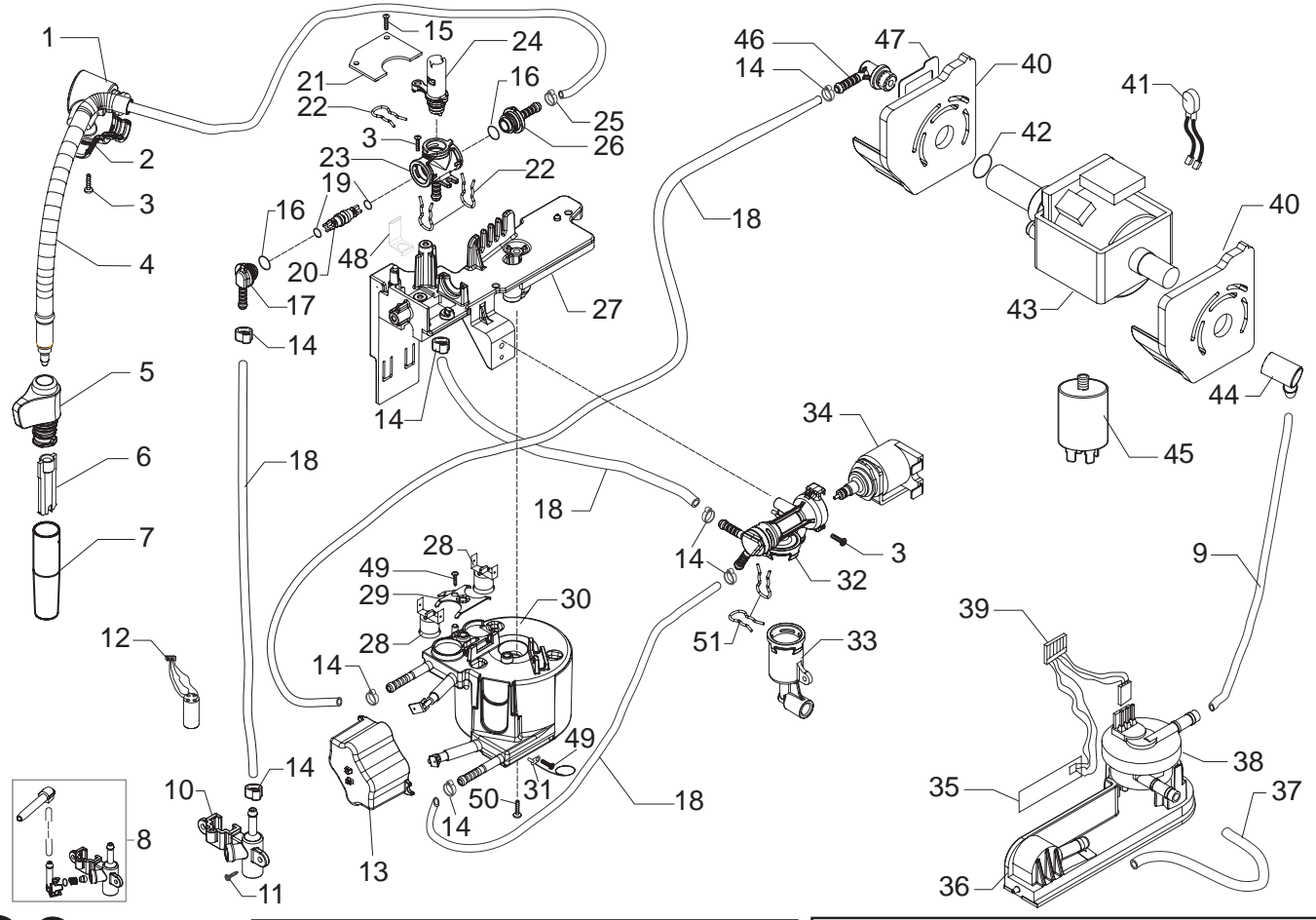


Saeco SUP032OR
INTERNATIONAL GROUP

CE Cod. 1000223-240-1383-1532-1533
1534-1535-1536-1537-1538-1539

POS	CODE	DESCRIPTION	NOTE
01	11007378	CHR/PLAT.CREAM ADJUSTM.KNOB V2 P124 ASSY	
02	11007420	INTERNAL CONNECT.V2 FOR COFFEE DISPENS.	
03	11002110	AMBRA COFFEE DISPENSER LENS P0053	
04	11004208	CHROMED FRONT COFFEE DISPENSER COVER	
05	11002111	BLACK CAP COFFEE DISPEN.HEAD BODY P0053	
06	11002049	BLACK COFFEE DISPENSER BODY P0053	
07	11004119	CHROMED REAR COFFEE DISPENSER COVER	
08	11004582	TITANIO FRONT PANEL P0053/A S/SCREEN	
	11005515	SPECCHIATO FRONT PANEL P0053/A S/SCREEN	
09	11004100	CHROMED HEIGHT REGULATION NUT P0049	
10	11001320	BLACK GEAR Z=19 FOR P0049	
11	11002064	BLACK BUTTON FOR ALLARMS P0053/A	
12	11002063	BLACK BUTTON FOR WATER P0053/A	
13	11002061	BLACK SUPPORT FOR RING NUT P0053	
14	11002066	BLACK COFFEE BUTTON SPACER P0053/A	
15	11001354	BLACK COFFEE BUTTON P0049/B	
16	11001355	BLACK COFFEE DOSE BUTTON P0049/B	
17	11002067	BLACK COFFEE DOSE BUTTON SPACER P0053/A	
18	11002062	BLACK SUPPORT FOR BUTTONS P0053/A	
19	11005689	TRANSPAR.INSERT FOR WATER BUTTON P0053	
20	20000650	KIT SPARES CPU P0053/A+FAUCET BOARD 3SEN	WITH PA.N°21 TA.3
	11004846	UP TO S/N 9006SA40285803 AS.CPU+SW V1 P0053/A	
	11007380	FROM S/N 9006SA40285804 UP TO S/N 9007SA40444510 AS.CPU+SW V2 P0053/A	
		FROM S/N. 9007SA40444511 TO EXCL. FROM 9007SA40455858 TO 9007SA40456968)	
21	11002065	TRANSPARENT CAP LED COVER P0053/A	
22	129912702	SCREW PT TORX 3X10 WN 1411 GALVANIZ	
23	11002112	BLACK BROW SUPPORT P0053	
24	149198700	SUPPORT CREAM ADJUSTMENT SHAFT	
25	140326661	OR METRIC 0040-20 IN EPDM	
26	126772518	SPRING FOR CREAM ADJUSTMENT SHAFT	
27	140640200	CREAM ADJUSTMENT SHAFT	
28	11000290	BLACK COFFEE DISPENSER TUBE P124	
29	12000070	OR METRIC 0060-15 IN SILICONE	
30	9011.144	FORK FOR TUBE D.4	
31	11001766	TEFLON TUBE 2X4 L=125 MM ASSY	
32	140328059	OR 2015 IN SILICONE PTFE/FDA	
33	12000450	SCREW TORX T10 3,5X12 UNI9786 GALVANIZED	
34	11002130	FAST LOCK CONNECTOR FOR EROGATOR P0053	

POS	CODE	DESCRIPTION	NOTE
35	11001337	BLACK TUBE TEFLON INSERT P0049	
36	11001304	BLACK DRIP TRAY GUIDE LID P0049	
37	11004358	TITANIO DRIP TRAY SUPPORT PROTECT.P0049	
38	11001758	PIN WITH BLACK INSERT ASSY.P0049	
39	11001364	MOVE DRIP TRAY SPRING P0049	
40	11001335	BLACK PIN INSERT FOR DRIP TRAY P0049	
41	11002033	BLACK DRIP TRAY GUIDE P0053	
42	11004092	CARBONA DRIP TRAY SUPPORT P0053	
43	11004095	SPECCHIATO GRATE FOR DRIP TRAY P0053	
44	11004093	CARBONA DRIP TRAY P0053	
45	11004185	AMBRA FLOAT FOR DRIP TRAY P0049	
46	11002068	SPRING FOR BUTTONS P0053/A	

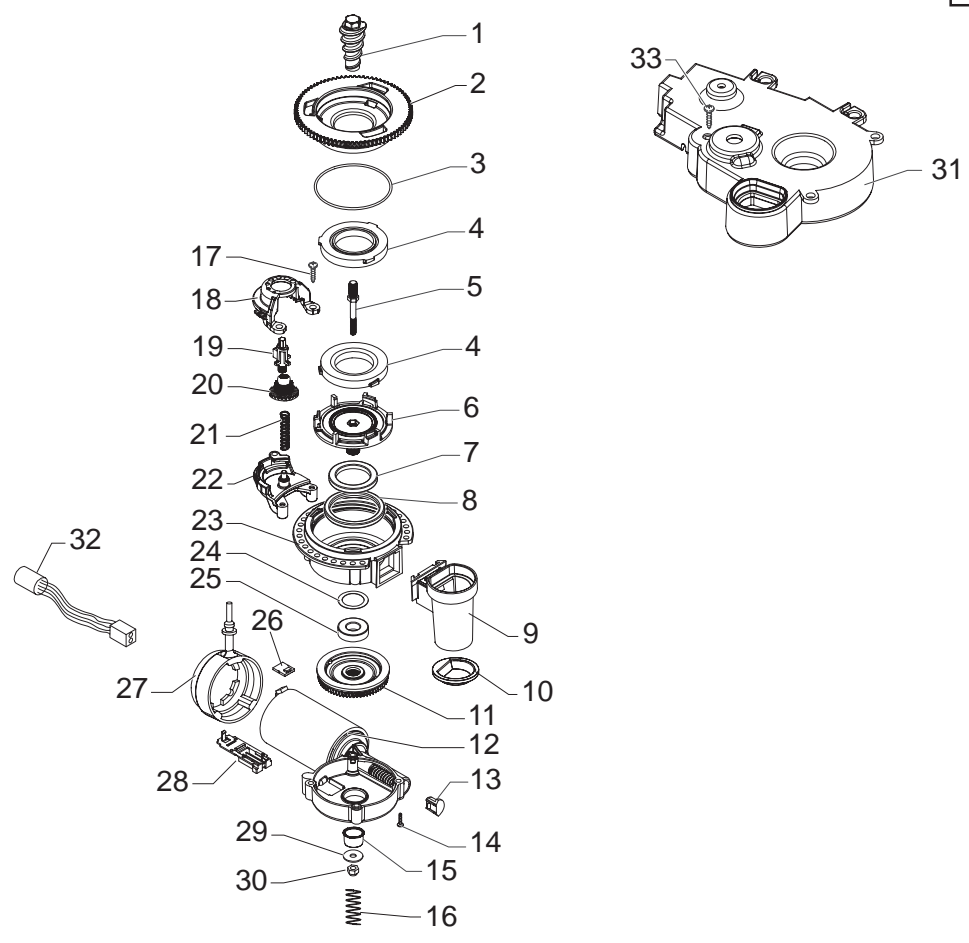


Saeco SUP032OR
INTERNATIONAL GROUP

CE Cod. 1000223-240-1383-1532-1533
1534-1535-1536-1537-1538-1539

POS	CODE	DESCRIPTION	NOTE
01	11004196	CHROMED UPPER STEAM TUBE COVER P0049	
02	11004197	CHROMED LOWER STEAM TUBE COVER P0049	
03	129912202	SCREW TCB TORX T10 3X12 UNI 9786 ZN	
04	11003122	STEAM TUBE P0049 ASSY.	
05	11001625	STEAM TUBE HANDGRIP P0049	
06	11001620	PANNARELLO INTERNAL TUBE P0049	
07	11001621	STAINLESS STEEL COVER PANNARELLO P0049	
08		PARTICULAR NOT AVAILABLE	
09	149360200	UP TO S/N. 9007SA40333704	SEE PART. N°10
10	11007421	SILICONE TUBE 5X8 70SR IN ROLL BLACK CONNECTOR FOR P0054	
11	12000450	FROM S/N. 9007SA40333705	
12	11000465	SCREW TORX T10 3,5X12 UNI9786 GALVANIZED	
13	11005284	4POLE CONNECTOR FOR P0054	
14	12000892	BLACKBOILER CONNECT. COVER P0049/P0053	
15	129912702	OETIKER CLAMP D=9,5 16700004	
16	12000042	SCREW PT TORX 3X10 WN 1411 GALVANIZ	
17	11001544	OR 108 IN VITON FDA 70 SH	
18	11001544	FAUCET CONNECTOR P0049	
19	16000380	5X8,9 SILICONE TUBE IN ROLL	
20	12000541	OR 2012 IN VITON FDA 70 SH	
21	11004134	BRASS FAUCET SHAFT P0049	
22	20000650	KIT SPARES CPU P0053/A+FAUCET BOARD 3SEN.	WITH PA.N°20 TA.2
23	11007569	UP TO S/N 9006SA40285803	
24	11001499	TAP ELECTRONIC CARD G0053 ASSY.	
25	11004625	FROM S/N 9006SA40285804	
26	11004135	FORK SPRING FOR FAUCET P0049	
27	NF11.052	TEA/BRASS FAUCET CASING P0049	
28	11001546	PLAST/BRASS FAUCET SHAFT P0049 ASSY.	
29	11001332	OETIKER CLIP	
30	189428600	FAUCET STRAIGHT CONNECTOR P0049	
31	11001751	SUPPORT FOR BOILER-FAUCET-VALVE P0049	
32	11001750	THERMOSTAT 175° 1NT-08L-5125	
33	11005608	THERMOSTATES SPRING FOR BOILER	
34	11005609	ALUM.BOILER/V3 1300W ASSY.	230V
35	190800100	ALUM.BOILER/V3 1300W ASSY.	120V
36	20000591	ALUM.BOILER/V3 1300W ASSY.	100V
37	20000592	TEMPERATURE SENSOR NTC ULL L=280MM	
38	20000590	BLOWDOWN VALVE CASING P0049 ASSY.	
39	20000680	BLOWDOWN VALVE COIL P0049 ASSY.	230V
40	20000681	BLOWDOWN VALVE COIL P0049 ASSY.	120V
41	20000920	BLOWDOWN VALVE COIL P0049 ASSY.	100V
42	11000651	BLOWDOWN VALVE COIL P0049 ASSY	220V-60H

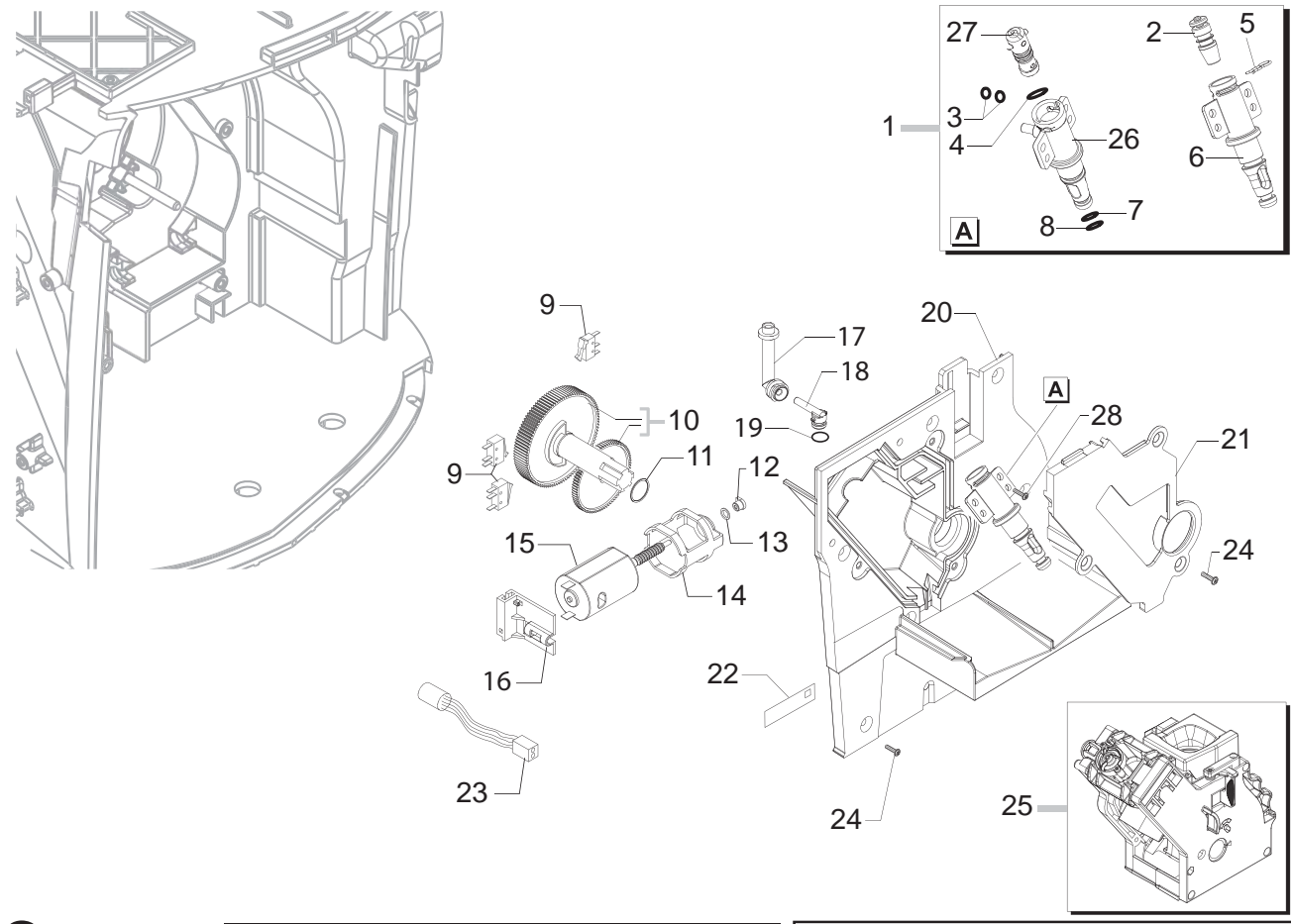
POS	CODE	DESCRIPTION	NOTE
36	11003670	BLACK TURBINE SUPPORT/V2 P0049	
37	JS01.022	SILICONE TUBE 5X10 60 SHORE IN ROLL	
38	12000781	TURBINE D=1,2 932-8521/90 ASSY.	
39	11001790	6POLES CONNECT. LEVEL+FLOWMETER P0049	230V
40	11005648	6 POLES CONN.LEVEL+FLOWMETER P0049 UL	100-120V
41	11001365	BLACK PUMP SUPPORT P0049	
42	11001778	2POLES CONNECTOR PUMP P0049	230V
43	11005668	2POLES CONNECTOR PUMP P0049 UL	100-120V
44	140321961	OR 2031 IN TERMOIL	
45	12000140	ULKA PUMP EP5/S GW	230V-50HZ
46	12000142	ULKA PUMP EAP5/S	120V-60HZ
47	12000130	ULKA PUMP EP5/S GW	100V-50/60HZ
48	12000167	ULKA PUMP EP5/S GW	240V-50HZ
49	12000182	ULKA PUMP EP5/S GW	220V-60HZ
50	147920150	90° CONNECTOR PUMP INLET	
51	12000005	ANTIDISTURB FILTER 10A FNC 1005474103P	230V
52	12000007	ANTIDISTURB FILTER 16A FNC 1610474472P	100-120V
53	11001054	90°CONNECTOR PUMP OUTLET P0049/B	
54	11004776	STEEL BRACKET PUMP SUPPORT P0049	
55	11002957	FAUCET SPRING P0049	
56	129573202	SCREW TCB PH/TT 4X8 UNI 8112 ZNP	
57	129932502	GALVANIZDE SELF DRILLING SCREW 5X30	
58	11005096	FORK SPRING FOR VALVE P0049	
59	11008698	TEA/BRASS FAUCET P0049-P0053 ASSY.	WITH PART. N°16-17-19-20-22-23-24-26
60	11001543	BLOWDOWN VALVE P0049 230V ASSY.	
61	11005604	BLOWDOWN VALVE P0049 120V ASSY.	
62	11005751	BLOWDOWN VALVE P0049 100V ASSY.	
63	11009021	BLOWDOWN VALVE P0049 220V-60HZ ASSY.	WITH PART. N°32-33-34-51
64	11008027	ALUM.BOILER V2 P0053 230V ASSY.	COMPLETE
65	11008028	ALUM.BOILER V2 P0053 120V ASSY.	COMPLETE
66	11008029	ALUM.BOILER V2 P0053 100V ASSY.	COMPLETE
67	11009131	ALUM.BOILER V2 P0053 220V-60HZ ASSY.	COMPLETE



Saeco SUP032OR
INTERNATIONAL GROUP

CE Cod. 1000223-240-1383-1532-1533
1534-1535-1536-1537-1538-1539

POS	CODE	DESCRIPTION	NOTE	POS	CODE	DESCRIPTION	NOTE
01	9141.001	SCREW OF INCREMENT					
02	149198250	UPPER GRINDER SUPPORT COFFEEGRINDER					
03	140328960	NBR FDA OR METRIC 0530-15					
04	146520100	BAKED CLAY KLAGER GRINDER 48X28					
05	127473603	STEEL PIN M4-M6 FOR INCREMENT SCREW					
06	149198350	LOWER GRINDER SUPPORT COFFEEGRINDER					
07	123030300	AXIAL BEARING EKKO 342.35252					
08	140360500	FELT RING 45,4X39,4X4					
09	222870250	GROUND COFFEE OUTLET CONVEYOR ASSY.					
10	145854462	GROUND COFFEE CONT.SEAL LOWER SMART1					
11	226000300	GEAR SX Z=38 FOR GRINDER MOTION ASSY.					
12	11000513	MOTOR COFFEEGRINDER/V3.1 DOMEL ASSY	230V				
	11000511	MOTOR COFFEEGRINDER/V3.1 DOMEL ASSY	120V				
	11000512	MOTOR COFFEEGRINDER/V3.1 DOMEL ASSY	100V				
13	149214800	CAP FOR WORM SCREW MC/V3 CENTRING					
14	129661702	PANELVIT TCB SCREW 3,5X25 D.7505 ZN					
15	11002873	INSULATOR BUSH FOR GRINDER MOTOR P124					
16	11000597	COFFEE GRINDER SUPPORT SPRING P124					
17	129660102	PANELVIT TCB SCREW 3,5X18 D.7505 Z					
18	11002508	UPPER GEAR SUPPORT COFFEEGRINDER P124					
19	11003446	BLACK INSERT FOR COFFEE GRINDER P0049					
20	11003784	COFFEE GRINDING ADJUSTMENT GEAR P0049					
21	11002572	GRINDER REGULATION SPRING P124					
22	11002613	LOWER GEAR SUPPORT COFFEEGRINDER P124					
23	142905450	UPPER BODY WITH COFFE.GROUND OUTLET					
24	128381800	CRINKLE WASHER 21,8X15,8X0,2					
25	123030200	RADIAL BEARING 61900.2RS1					
26	181540900	ELECTRONIC BOARD WITH SENSOR HAL506					
27	11001367	BLACK COFFEE GRINDER SUPPORT P0049					
28	149199050	SENSOR SUPPORT FOR COFF.GRIND.MOTOR					
29	128381902	GALVAN.FLAT WASH.DI=4,3 DE=14 SP=1,5					
30	123453102	SELF LOCK NUT M4 DIN 982 HIGH GALV.					
31	11001826	SOUNDPROOF .COVER FOR COFGRINDER P0053					
32	11003449	5POLES CONNECTOR MC SENSORS P0049	230V				
	11005658	5POLES CONNECTOR MC SENSORS P0049 UL	100-120V				
33	129661902	TCB SCREW 3,5X18 PLASTITE 45°					
	11001744	GENERAL MOTOR MC ASSY P0049 230V					
	11005606	GENERAL MOTOR MC P0049 120V ASSY.					
	11005607	GENERAL MOTOR MC P0049 100V ASSY.					



Saeco SUP032OR
INTERNATIONAL GROUP

CE Cod. 1000223-240-1383-1532-1533
1534-1535-1536-1537-1538-1539

POS	CODE	DESCRIPTION	NOTE	POS	CODE	DESCRIPTION	NOTE
01	11005113	PIN V2 FOR BOILER P049/B ASSY.					
02	11000692	NIKELED BRASS CAP FOR PIN BOILER P119					
		UP TO S/N 9007SA40008266					
03	140328059	OR 2015 IN SILICONE PTFE/FDA					
04	140324459	OR METRICO 0060-20 SILICON.PTFE/FDA					
05	9011.144	FORK FOR TUBE D.4					
		UP TO S/N 9007SA40008266					
06		PARTICULAR NOT AVAILABLE	SEE PART. N°01				
		UP TO S/N 9007SA40008266					
07	NM01.035	OR ORM 0090-20 SILICONE					
08	NM01.057	OR ORM 0050-20 SILICONE					
09	NE05.038	MICROSWITCH					
10	20000455	SPARES KIT GEARS FOR RATIOMOTOR P124					
		UP TO S/N 9007SA40444510					
	20000900	SPARES KIT GEARS FOR RATIOMOTOR V2					
		FROM S/N. 9007SA40444511					
		TO EXCL. FROM 9007SA40455858 TO 9007SA40456968)					
11	9161.132	MYLAR WASHER FOR RATIOMOTOR					
12	9121.046	SINTERED BUSH FOR MOTOR					
13	148380200	WASHER BAKELIZZATE D=5,5					
14	9121.044	ANTIVIBRATION FOR MOTOR					
15	11003037	MOTOR FOR RATIOMOTOR ASSY.					
16	11001331	BLACK MICROSWITCH SUPP. DUMP BOX P0049					
17	11004086	VALVE DESCARGING WATER 90° CONNECTOR					
18	11003648	COVER DESCARGING WATER 90° CONNECTOR					
19	140325462	OR METRIC 0070-20 IN SILICONE					
20	11006337	BLACK COVER FOR MOUNTING PLATE P0049 AS.					
21	11001312	BLACK COVER FOR VAIN BOILER P0049					
22	11000651	WATER LEVEL SENSOR BOARD P124					
23	11003661	REED SENSOR MK3-1A66-BV16451					
24	129914102	SCREW K 35X12 WN 1423 GALVANIZED					
25	11002145	BLACK BREW UNIT 8GR. P124/SBS					
		SEE TAB. COD. EXP. E90042					
26	11003801	PIN V2 FOR BOILER P119					
		FROM S/N.9007SA40008267					
27	11003820	CAP V2 FOR PIN BOILER P119					
		FROM S/N.9007SA40008267					
28	129661902	TCB SCREW 3,5X18 PLASTITE 45°					