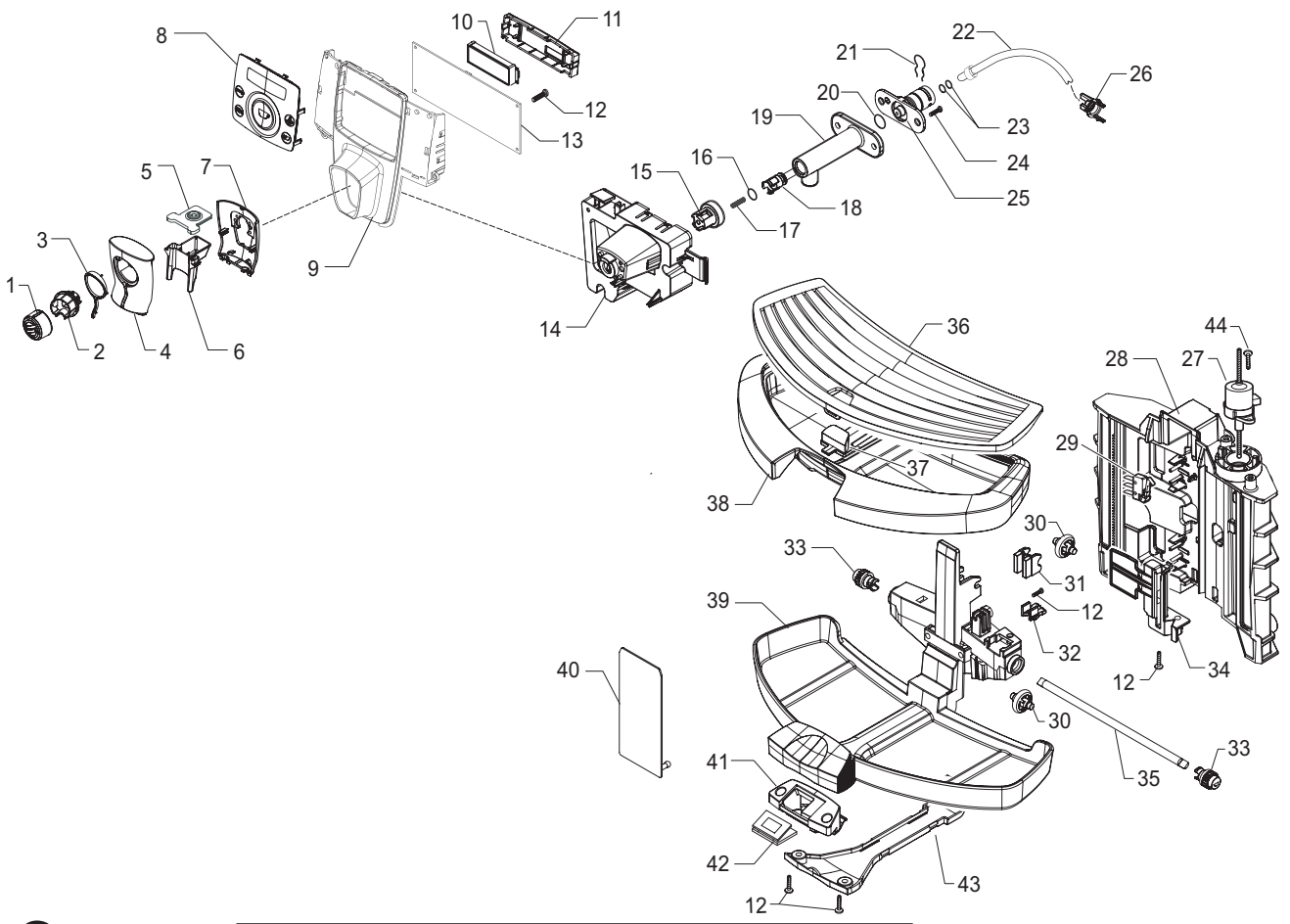


Saeco SUP032BR
INTERNATIONAL GROUP

CE Cod. 1000225-242-1550

POS	CODE	DESCRIPTION	NOTE	POS	CODE	DESCRIPTION	NOTE
01	11004087	SPECCHIATO WATER TANK OUTLET COVER P0053		41	11001362	SPRING FOR LOCK P0049	
02	11001668	NATURAL/GREY WATER CONTAINER LID P0053		42	11004085	TITANIO DOOR P0053	
03	11002017	TRANSPARENT WATER CONTAINER P0053 ASSY.		43	11003785	BLACK GRINDER ADJUSTMENT KEY P0049	
04	224640200	EXTERNAL FILTER FOR WATER CONTAINER ASSY	WITH PART. N°05	44	15000740	MANUAL INSTRUCTIONS SAECO P0053/C NL/PL	
05	140328461	EPDM OR METRIC 0190-10			15000741	MANUAL INSTRUCTIONS SAECO P0053/C D/I	
06	11003672	SPRING FOR WATER CONTAINER VALVE P0049			15000742	MANUAL INSTRUCTIONS SAECO P0053/C GB/F	
07	11003673	GREY WATER CONTAINER VALVE INSERT P0049			15000743	MANUAL INSTRUCTIONS SAECO P0053/C E/P	
08	11003671	TRANSP.VALVE FOR WATER CONTAINER P0049		45	223070200	ACC SAE AQUA PRIMA 1 UNIT	
09	11001298	BLACK LID FOR DUCKBILL VALVE		46	127390100	BRUSH FOR CLEANING	
10	13000141	UPPER TECHMATE INSERT FOR BOX P0053		47	183930650	PO.CABL.CH BLACK 3X1 H05VV-F L=1200	
11	13000140	LOWER TECHMATE INSERT FOR BOX P0053			183911050	POWER CABLE SCHUKO BLACK L=1200	
12	13000391	DISPLAY BOX V2 SAECO P0053			183921950	POWER CABLE SJT3 USA BLACK UL L=1200	
13	11004217	CHROMED WATER-STEAM KNOB P0053		48	11003154	BLACK REED SENSOR SUPPORT P0049	
14	129912702	SCREW PT TORX 3X10 WN 1411 GALVANIZ		49	0301.961	WATER HARDNESS TEST	
15	11004142	SILVER PLATE LOGO SAECO NEW P0049/P0053		50	146680850	BLACK COFFEE MEASURE SMART	
16	11004068	SPECCHIATO COVER WITH OPEN P0053		51	11004887	SILVER CUPWARMING LID P0053 ASSY.	230V 120V
17	11002096	TRANSP.LATE INFRAREDS PLATE P0053			11005723	SILVER CUPWARMING LID P0053 UL ASSY.	
18	11004922	BLACK PLATE WITH LOGO TALEA P053 RING PL		52	11004303	SILVER WARM CUPS FINGER PROTECTION P0053	
19	140321461	OR 2018 IN EPDM		53	140329461	EPDM OR 2137	
20	11003821	BLACK CAP FOR CONNECTIONS P0049/P0053		54	11005040	SPRING FOR ON-OFF BUTTON P0049	
21	11000223	BLACK WHEEL FOR CASING BOTTOM P124		55	1501.098	SILICONE GREASE CONFECTIONS	
22	11004059	TITANIO LEFT SIDE CASING P0053		56	11003889	2POLES CONNECTOR SENSOR REED DOOR P0049	
23	11001624	STEAM TUBE WASHER P0049					
24	NF11.084	FOLK SPRING					
25	11001360	PWR BOARD P0049/P0053	230V				
	11003968	PWR BOARD P0049/P0053	120V				
26	11002030	TRANSPAR.BEAN COFF.CONTAIN.LID ASS.P0053					
27	11003782	BLACK POWER BOARD PROTECTION P0053/B-C					
28	11001670	NATUR/GREY GROUND COFF.CONTAIN.LID P0053					
29	11001662	NATURAL/GREY BEAN CONTAINER P0053					
30	11002016	MOUNTING PLATE ASSY.WITH PIN P0053					
31	12000280	CUP SOCKET EN 60320 C 13					
32	11000592	SAIA 3292 GENERAL SWITCH FOR P124					
33	11004067	TITANIO RIGHT SIDE CASING P0053					
34	11004055	TITANIO ON-OFF BUTTON INSERT P0049					
35	11004207	CHROMED ON-OFF SWITCH BUTTON P0049					
36	11004083	TITANIO DRIP TRAY COFFEE UNIT P0053					
37	11003533	BLACK DUMP BOX P0049 ASSY.					
38	11001659	BLACK INSIDE COVER DOOR P0053					
39	9161.111	MAGNET FOR FLOAT SUPERAUTOM.					
40	11001340	BLACK DOOR PIN P0049					

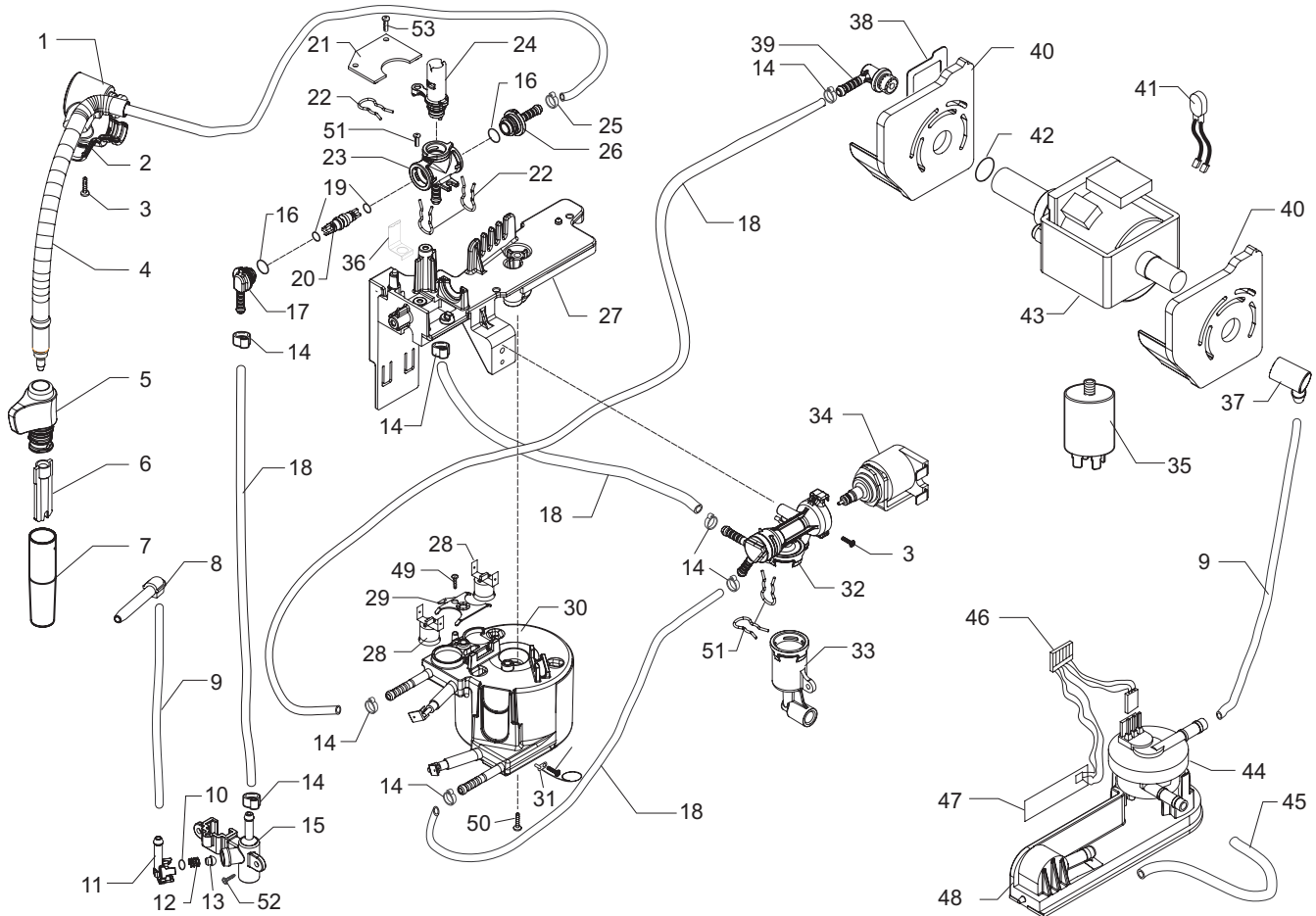


Saeco SUP032BR
INTERNATIONAL GROUP

CE Cod. 1000225-242-1550

POS	CODE	DESCRIPTION	NOTE
01	11003168	CHROM.PLAT.CREAM ADJUSTMENT KNOB P124 AS	
02	11000288	INTERNAL CONNECTOR FOR COFFEE DISPENSER	
03	11002110	AMBRA COFFEE DISPENSER LENS P0053	
04	11004208	CHROMED FRONT COFFEE DISPENSER COVER	
05	11002111	BLACK CAP COFFEE DISPEN.HEAD BODY P0053	
06	11002049	BLACK COFFEE DISPENSER BODY P0053	
07	11004119	CHROMED REAR COFFEE DISPENSER COVER	
08	11003223	SPECCH.DISPLAY FRONT PLATE P0053/C ASSY.	
09	11004098	SPECCHIATO FRONT PANEL SUPPORT P0053/C	
10	12000002	24 X 2 LCD DISPLAY	
11	11002102	BLACK DISPLAY SUPPORT P0053/C	
12	129912702	SCREW PT TORX 3X10 WN 1411 GALVANIZ	
13	20000652	KIT SPARES CPU P0053/C+FAUCET BOARD 3SEN	WITH PART.N°21 TAB.3
		UP TO S/N 9006SA40281741	
	11004849	AS.CPU+SW V1 P0053/C	
		FROM S/N 9006SA40281742	
14	11002112	BLACK BROW SUPPORT P0053	
15	149198700	SUPPORT CREAM ADJUSTMENT SHAFT	
16	140326661	OR METRIC 0040-20 IN EPDM	
17	126772518	SPRING FOR CREAM ADJUSTMENT SHAFT	
18	140640200	CREAM ADJUSTMENT SHAFT	
19	11000290	BLACK COFFEE DISPENSER TUBE P124	
20	12000070	OR METRIC 0060-15 IN SILICONE	
21	9011.144	FORK FOR TUBE D.4	
22	11001766	TEFLON TUBE 2X4 L=125 MM ASSY	
23	140328059	OR 2015 IN SILICONE PTFE/FDA	
24	12000450	SCREW TORX T10 3,5X12 UNI9786 GALVANIZED	
25	11002130	FAST LOCK CONNECTOR FOR EROGATOR P0053	
26	11001337	BLACK TUBE TEFLON INSERT P0049	
27	12000065	SAIA UCB MOTOR FOR P124 MOBILE TRAY	
28	11002204	BLACK DRIP TRAY GUIDE P0053	
29	11000662	MICROSWITCH DRIP TRAY P124 ASSY.	230V
	11004447	MICROSWITCH DRIP TRAY P124 UL ASSY.	120V
30	11000113	BLACK WHELL FOR DRIP TRAY SUPPORT P124	
31	11000224	INSERT FOR ADJUSTMENT TRAY WHEEL P124	
32	11000115	FIXING PLATE FOR FEEDING SCREW P124	
33	11000081	GEAR Z=17 FOR MOBILE TRAY SUPPORT P124	
34	11002293	BLACK LOWER DRIP TRAY PROT.SUPPORT P124	
35	11000586	MOBILE DRIP TRAY GEARS SHAFT P124	
36	11004095	SPECCHIATO GRATE FOR DRIP TRAY P0053	
37	11004185	AMBRA FLOAT FOR DRIP TRAY P0049	

POS	CODE	DESCRIPTION	NOTE
38	11004094	CARBONA DRIP TRAY P0053	
39	11004089	CARBONA DRIP TRAY SUPPORT P0053	
40	11003399	SPECCH. DRIP TRAY SUPPORT PROTECT.P0053	
41	11002184	BLACK SENSOR BOARD SUPPORT P0053/C-D	
42	11000585	MOBILE DRIP TRAY SENSOR BOARD P124	
43	11002181	BLACK COVER FOR SENSORS CABLES P0053C-D	
44	129911402	SCREW TCB TORX 3,5X8,5 BLAC.CLIPPED	



Saeco SUP032BR
INTERNATIONAL GROUP

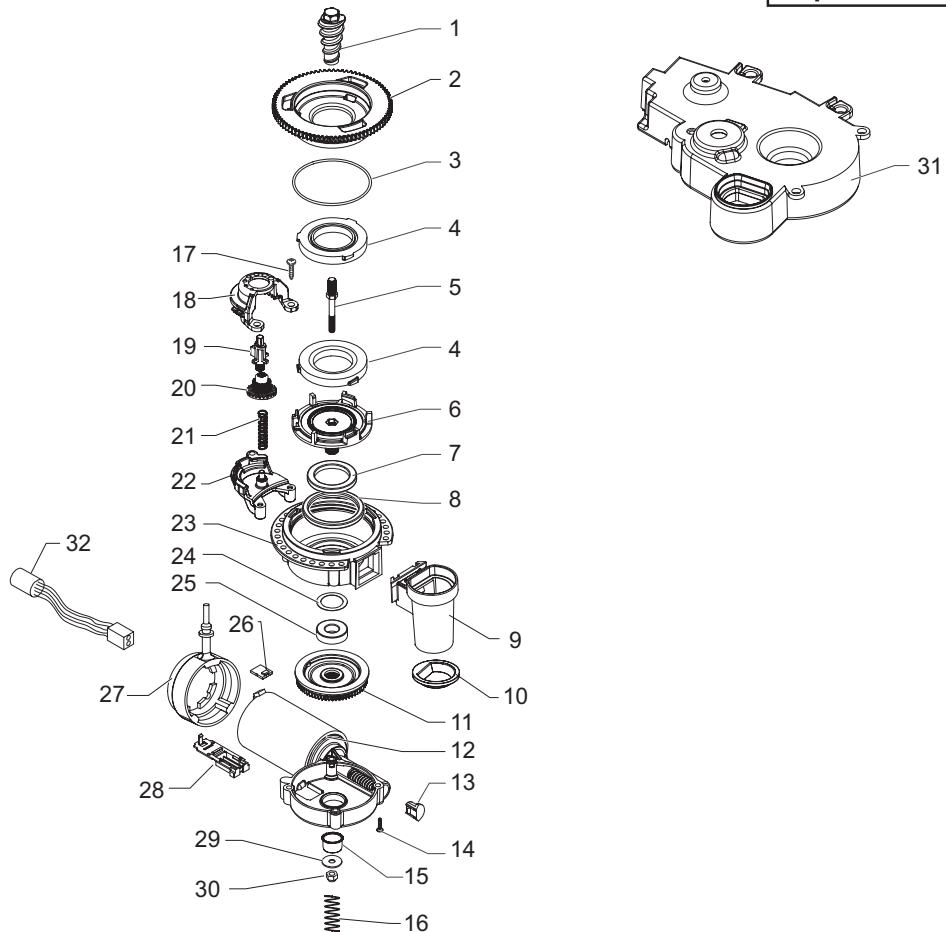


Cod. 1000225-242-1550

POS	CODE	DESCRIPTION	NOTE
01	11004196	CHROMED UPPER STEAM TUBE COVER P0049	
02	11004197	CHROMED LOWER STEAM TUBE COVER P0049	
03	129912202	SCREW TCB TORX T10 3X12 UNI 9786 ZN	
04	11003122	STEAM TUBE P0049 ASSY.	
05	11001625	STEAM TUBE HANDGRIP P0049	
06	11001620	PANNARELLO INTERNAL TUBE P0049	
07	11001621	STAINLESS STEEL COVER PANNARELLO P0049	
08	11001630	MILK ISLAND DESCARGING WATER CONNECTION	
09	149360200	SILICONE TUBE 5X8 70SR IN ROLL	
10	140321462	OR 2018 IN SILICONE	
11	11000460	BLACK CONNECTOR FOR VALVE P0054	
12	126772618	SPRING FOR CREAM ADJUSTMENT VALVE	
13	11000461	INSERT FOR SAFETY VALVE P0054	
14	12000361	OETIKER CLAMP D=9 16702491	
15	11000459	BLACK CONNECTOR FOR P0054	
16	12000042	OR 108 IN VITON FDA 70 SH	
17	11001544	FAUCET CONNECTOR P0049	
18	16000190	4,2X8,2 SILICON TUBE IN ROLL	
19	12000541	OR 2012 IN VITON FDA 70 SH	
20	11004134	BRASS FAUCET SHAFT P0049	
21	20000652	KIT SPARES CPU P0053/C+FAUCET BOARD 3SEN	WITH PART.N°13 TAB.2
		UP TO S/N 9006SA40281741	
	11004842	TAP ELECTRONIC CARD P0049/P0053-V1 5V	
		FROM TO 9006SA40281742	
22	11001499	FORK SPRING FOR FAUCET P0049	
23	11001545	FAUCET CASING P0049	
24	11004135	PLAST/BRASS FAUCET SHAFT P0049 ASSY.	
25	NF11.052	OETIKER CLIP	
26	11001546	FAUCET STRAIGHT CONNECTOR P0049	
27	11001332	SUPPORT FOR BOILER-FAUCET-VALVE P0049	
28	189428600	THERMOSTAT 175° 1NT-08L-5125	
29	11001751	THERMOSTATES SPRING FOR BOILER	
30	11001750	ALUM.BOILER/V3 1300W ASSY.	230V
	11005608	ALUM.BOILER/V3 1300W ASSY.	120V
31	190800100	TEMPERATURE SENSOR NTC UL L=280MM	
32	20000591	BLOWDOWN VALVE CASING P0049 ASSY.	
33	20000592	BLOWDOWN VALVE CONNECTOR P0049 ASSY.	
34	20000590	BLOWDOWN VALVE COIL P0049 230V ASSY.	230V
	20000680	BLOWDOWN VALVE COIL P0049 120V ASSY.	120V
35	12000005	ANTIDISTURB FILTER 10A FNC 1005474103P	230V
	12000007	ANTIDISTURB FILTER 16A FNC 1610474472P	120V

POS	CODE	DESCRIPTION	NOTE
36	11002957	FAUCET SPRING P0049	
37	147920150	90° CONNECTOR PUMP INLET	
38	11004776	STEEL BRACKET PUMP SUPPORT P0049	
39	11001054	90°CONNECTOR PUMP OUTLET P0049/B	
40	11001365	BLACK PUMP SUPPORT P0049	
41	11001778	2POLES CONNECTOR PUMP P0049	230V
	11005668	2POLES CONNECTOR PUMP P0049 UL	120V
42	140321961	OR 2031 IN TERMOIL	
43	12000140	ULKA PUMP EP5/S GW	230V-50HZ
	12000131	ULKA PUMP EP5/S	120V-60HZ
44	JS01.022	SILICONE TUBE 5X10 60 SHORE IN ROLL	
45	NV99.099	DIGMESA TURBINE FHKSC 1,2 ARNITE OC	
46	11001790	6POLES CONNECTOR LEVEL+FLOWMETER P0049	230V
	11005648	6 POLES CONNECT.LEVEL+FLOWMETER P0049 UL	120V
47	11000651	WATER LEVEL SENSOR BOARD P124	
48	11003670	BLACK TURBINE SUPPORT/V2 P0049	
49	129573202	SCREW TCB PH/TT 4X8 UNI 8112 ZNP	
50	129932502	GALVANIZDE SELF DRILLING SCREW 5X30	
51	11005096	FORK SPRING FOR VALVE P0049	
52	U143.016	screw TORX TCB 3,5X9,5 BLACK	
53	129912702	SCREW PT TORX 3X10 WN 1411 GALVANIZ	
	11001549	FAUCET P0049/B-P0053 ASSY.	WITH PART. N°16-17-19-20-22-23-24-26
	11001543	BLOWDOWN VALVE P0049 230V ASSY.	
	11005604	BLOWDOWN VALVE P0049 120V ASSY.	WITH PART. N°32-33-34-51
	11001806	ALUM.BOILER P0053 230V ASSY.	
	11005618	ALUM.BOILER P0053 120V ASSY.	

Saeco SUP032BR
INTERNATIONAL GROUP

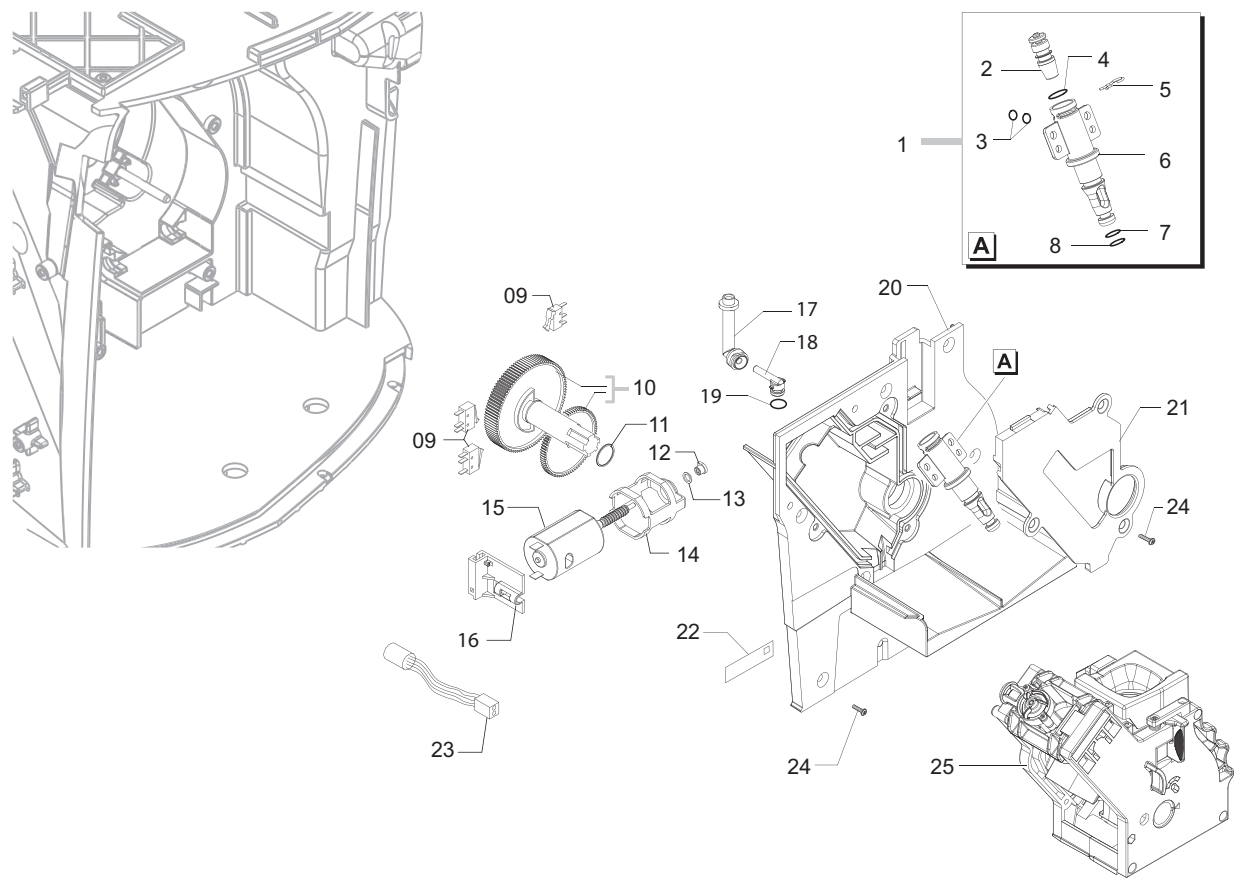


Saeco SUP032BR
INTERNATIONAL GROUP



Cod. 1000225-242-1550

POS	CODE	DESCRIPTION	NOTE	POS	CODE	DESCRIPTION	NOTE
01	9141.001	SCREW OF INCREMENT					
02	149198250	UPPER GRINDER SUPPORT COFFEEGRINDER					
03	140328960	NBR FDA OR METRIC 0530-15					
04	146520100	BAKED CLAY KLAGER GRINDER 48X28					
05	127473603	STEEL PIN M4-M6 FOR INCREMENT SCREW					
06	149198350	LOWER GRINDER SUPPORT COFFEEGRINDER					
07	123030300	AXIAL BEARING EKKO 342.35252					
08	140360500	FELT RING 45,4X39,4X4					
09	222870250	GROUND COFFEE OUTLET CONVEYOR ASSY.					
10	145854462	GROUND COFFEE CONT.SEAL LOWER SMART1					
11	226000300	GEAR SX Z=38 FOR GRINDER MOTION ASSY.					
12	11000513	MOTOR COFFEEGRINDER/V3.1 DOMEL ASSY	230V				
	11000511	MOTOR COFFEEGRINDER/V3.1 DOMEL ASSY	120V				
13	149214800	CAP FOR WORM SCREW MC/V3 CENTRING					
14	129661702	PANELVIT TCB SCREW 3,5X25 D.7505 ZN					
15	11002873	INSULATOR BUSH FOR GRINDER MOTOR P124					
16	11000597	COFFEE GRINDER SUPPORT SPRING P124					
17	129660102	PANELVIT TCB SCREW 3,5X18 D.7505 Z					
18	11002508	UPPER GEAR SUPPORT COFFEEGRINDER P124					
19	11003446	BLACK INSERT FOR COFFEE GRINDER P0049					
20	11003784	COFFEE GRINDING ADJUSTMENT GEAR P0049					
21	11002572	GRINDER REGULATION SPRING P124					
22	11002613	LOWER GEAR SUPPORT COFFEEGRINDER P124					
23	149205450	SWITCH+SOCKET POWER CABL.SUPP.SMART					
24	128381800	CRINKLE WASHER 21,8X15,8X0,2					
25	123030200	RADIAL BEARING 61900.2RS1					
26	181540900	ELECTRONIC BOARD WITH SENSOR HAL506					
27	11001367	BLACK COFFEE GRINDER SUPPORT P0049					
28	149199050	SENSOR SUPPORT FOR COFF.GRIND.MOTOR					
29	128381902	GALVAN.FLAT WASH.DI=4,3 DE=14 SP=1,5					
30	123453102	SELF LOCK NUT M4 DIN 982 HIGH GALV.					
31	11001826	SOUNDPROOFING COVER FOR COFGRINDER P0053					
32	11003449	5POLES CONNECTOR MC SENSORS P0049	230V				
	11005658	5POLES CONNECTOR MC SENSORS P0049 UL	120V				
	11001744	GENERAL MOTOR MC ASSY P0049 230V					
	11005606	GENERAL MOTOR MC P0049 120V ASSY.					



Saeco SUP032BR
INTERNATIONAL GROUP



Cod. 1000225-242-1550

POS	CODE	DESCRIPTION	NOTE	POS	CODE	DESCRIPTION	NOTE
01	11001991	PIN FOR BOILER P049/B ASSY.					
02	11000692	NIKELED BRASS CAP FOR PIN BOILER P119					
03	140328059	OR 2015 IN SILICONE PTFE/FDA					
04	140324459	OR METRICO 0060-20 SILICON.PTFE/FDA					
05	9011.144	FORK FOR TUBE D.4					
06	11003825	PIN FOR BOILER P119					
07	NM01.035	OR ORM 0090-20 SILICONE					
08	NM01.057	OR ORM 0050-20 SILICONE					
09	NE05.038	MICROSWITCH					
10	20000455	SPARES KIT GEARS FOR RATIOMOTOR P124					
11	9161.132	MYLAR WASHER FOR RATIOMOTOR					
12	9121.046	SINTERED BUSH FOR MOTOR					
13	148380200	WASHER BAKELIZZATE D=5,5					
14	9121.044	ANTIVIBRATION FOR MOTOR					
15	11005213	SME MOTOR FOR RATIOMOTOR ASSY.					
16	11001331	BLACK MICROSWITCH SUPPORT DUMP BOX P0049					
17	11004086	VALVE DESCARGING WATER 90° CONNECTOR					
18	11003648	COVER DESCARGING WATER 90° CONNECTOR					
19	140325462	OR METRIC 0070-20 IN SILICONE					
20	11001079	BLACK COVER FOR MOUNTING PLATE P0049					
21	11001312	BLACK COVER FOR VAIN BOILER P0049					
22	11000651	WATER LEVEL SENSOR BOARD P124					
23	11003899	10POL.CONNec.W/REED PLATE UNIT P0049 ASS	230V 120V				
	11003661	REED SENSOR MK3-1A66-BV16451					
24	129914102	SCREW K 35X12 WN 1423 GALVANIZED					
25	11002145	BLACK BREW UNIT 8GR. P124/SBS SEE TAB. COD. EXP. E90042					