

Saeco
INTERNATIONAL GROUP

SUP032NR



Cod. 1000224-241-1552-1553
1554-1555-1556-1557-1558-1559

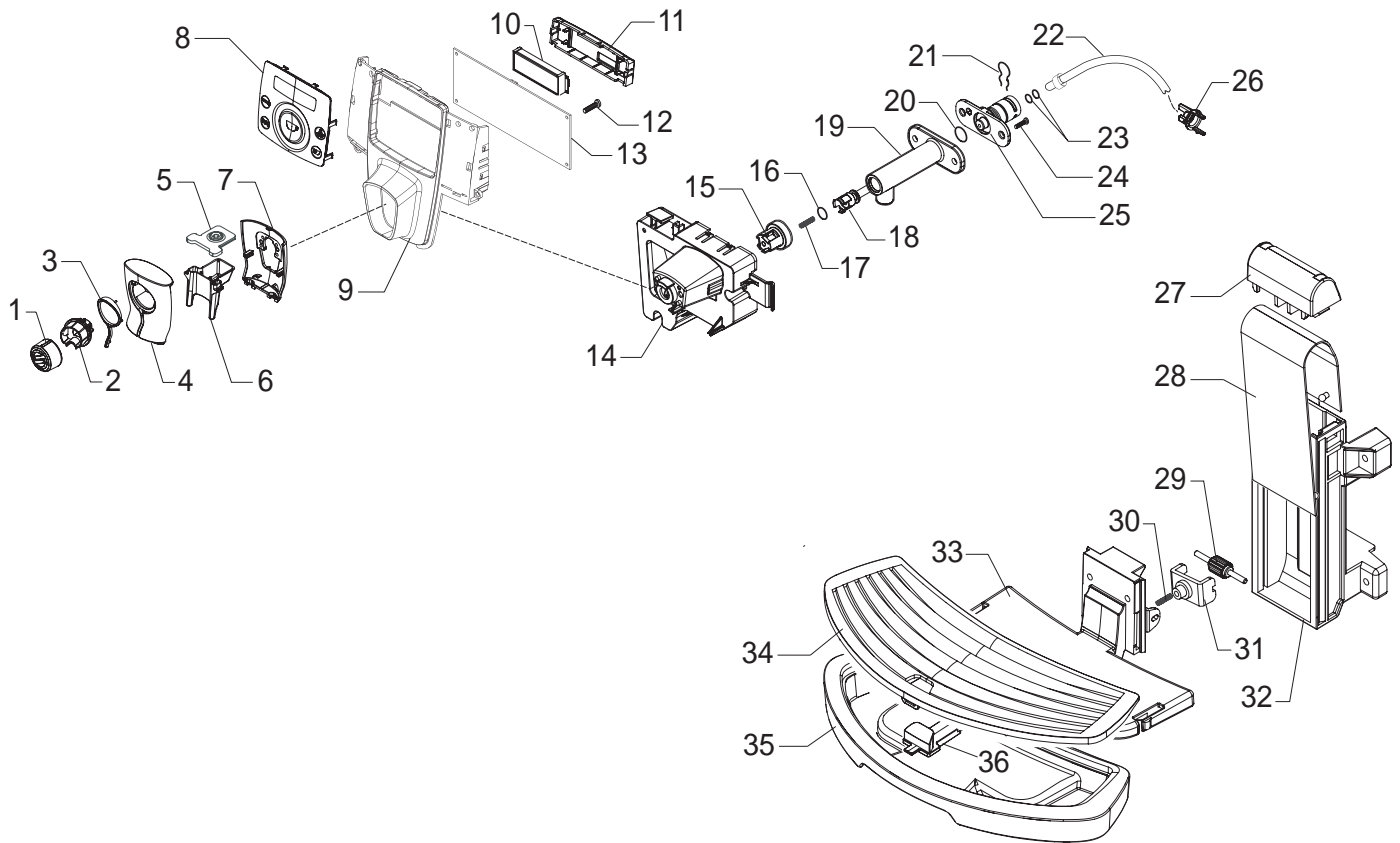
POS	CODE	DESCRIPTION	NOTE	POS	CODE	DESCRIPTION	NOTE
01	11004087	SPECCH. WATER TANK OUTLET COVER P0053		41	11001362	SPRING FOR LOCK P0049	
02	11001668	NATURAL/GREY WATER CONTAINER LID P0053		42	11004084	SPECCHIATO DOOR P0053	
03	11002017	TRANSPARENT WATER CONTAINER P0053 AS.		43	11003785	BLACK GRINDER ADJUSTMENT KEY P0049	
04	224640200	EXTERNAL FILTER FOR WATER CONTAINER AS	WITH PART. N°05	44	15001363	MANUAL INSTRUCTI.V2 SAECO P0053/B D/I	
05	140328461	EPDM OR METRIC 0190-10			15001364	MANUAL INSTRUCTI.V2 SAECO P0053/B E/P	
06	11003672	SPRING FOR WATER CONTAINER VALVE P0049			15001365	MANUAL INSTRUCTI.V2 SAECO P0053/B GB/F	
07	11003673	GREY WATER CONTAINER VALVE INSERT P0049			15001366	MANUAL INSTRUCTI.V2 SAECO P0053/B NL/PL	
08	11003671	TRANSP.VALVE FOR WATER CONTAINER P0049		45	21000961	ACC SAE BRITA WATER FILTER 1 UNIT EUR	
09	11001298	BLACK LID FOR DUCKBILL VALVE		46	127390100	BRUSH FOR CLEANING	
10	13000141	UPPER TECHMATE INSERT FOR BOX P0053		47	183930650	PO.CABL.CH BLACK 3X1 H05VV-F L=1200	
11	13000140	LOWER TECHMATE INSERT FOR BOX P0053			183911050	POWER CABLE SCHUKO BLACK L=1200	
12	13000391	DISPLAY BOX V2 SAECO P0053			183921950	POWER CABLE SJT3 USA BLACK UL L=1200	
13	11004057	CHROMED WATER-STEAM KNOB P0053			183940650	BLACK POWER CABLE AUST.3X1 H05VV F L=1200	
14	11005287	BLACK BUSH FOR STEAM KNOB			183980650	POWER CABL.JAPPON VCTF BLACK L=1200	
15	11004142	SILVER PLATE LOGO SAECO NEW P0049/P0053			11001985	BLACK POWER CABLE KOREA 3X1,25 L=1200	
16	11004081	TITANIO COVER WITHOUT OPEN P0053			11004245	BLACK POWER CABLE BRAZ. W/CONNECT.L=1200	
17	11002096	TRANSP.LATE INFRAREDS PLATE P0053			11004246	BLACK POWER CABLE TAIWAN HVCTF L=1200	
18	11004921	BLACK PLATE WITH LOGO TALEA P0053 RING			11004247	BLACK POWER CABLE RVV 3X1 CHINA L=1200	
19	140321461	OR 2018 IN EPDM		48	11003154	BLACK REED SENSOR SUPPORT P0049	
20	11003821	BLACK CAP FOR CONNECTIONS P0049/P0053		49	0301.961	WATER HARDNESS TEST	
21	11000223	BLACK WHEEL FOR CASING BOTTOM P124		50	146680850	BLACK COFFEE MEASURE SMART	
22	11004058	SPECCHIATO LEFT SIDE CASING P0053		51	1501.098	SILICONE GREASE CONFECTIONS	
23	11001624	STEAM TUBE WASHER P0049		52	11005040	SPRING FOR ON-OFF BUTTON P0049	
24	NF11.084	FOLK SPRING		53	11003889	2POLES CONNec. SENSOR REED DOOR P0049	
25	11001360	PWR BOARD P0049/P0053	230V	54	129912702	SCREW PT TORX 3X10 WN 1411 GALVANIZ	
	11003968	PWR BOARD P0049/P0053	100-120V	55	12000510	SCREW TORX T10 3.5X30 UNI9786 GALVANIZED	
26	11002030	TRANSPAR.BEAN COFF. CONTAIN.LID ASS.P0053					
27	11003782	BLACK POWER BOARD PROTECTION P0053/B-C					
28	11001670	NATUR/GREY GROUND COF. CONTAIN.LID P0053					
29	11001662	NATURAL/GREY BEAN CONTAINER P0053					
30	11002016	MOUNTING PLATE ASSY.WITH PIN P0053					
31	12000280	CUP SOCKET EN 60320 C 13					
32	11007060	GENERAL SWITCH FOR P124					
33	11004066	SPECCHIATO RIGHT SIDE CASING P0053					
34	11004072	SPECCHIATO ON-OFF BUTTON INSERT P0049					
35	11004056	CHROMED ON-OFF SWITCH BUTTON P0049					
36	11004082	SPECCHIATO DRIP TRAY COFFEE UNIT P0053					
37	11003533	BLACK DUMP BOX P0049 W/OUT S.GREEN ASSY.					
38	11001659	BLACK INSIDE COVER DOOR P0053					
39	9161.111	MAGNET FOR FLOAT SUPERAUTOM.					
40	11001340	BLACK DOOR PIN P0049					

Saeco
INTERNATIONAL GROUP

TAE LA RING

Rev. 03 - 12/11/07

TABLE 1/5

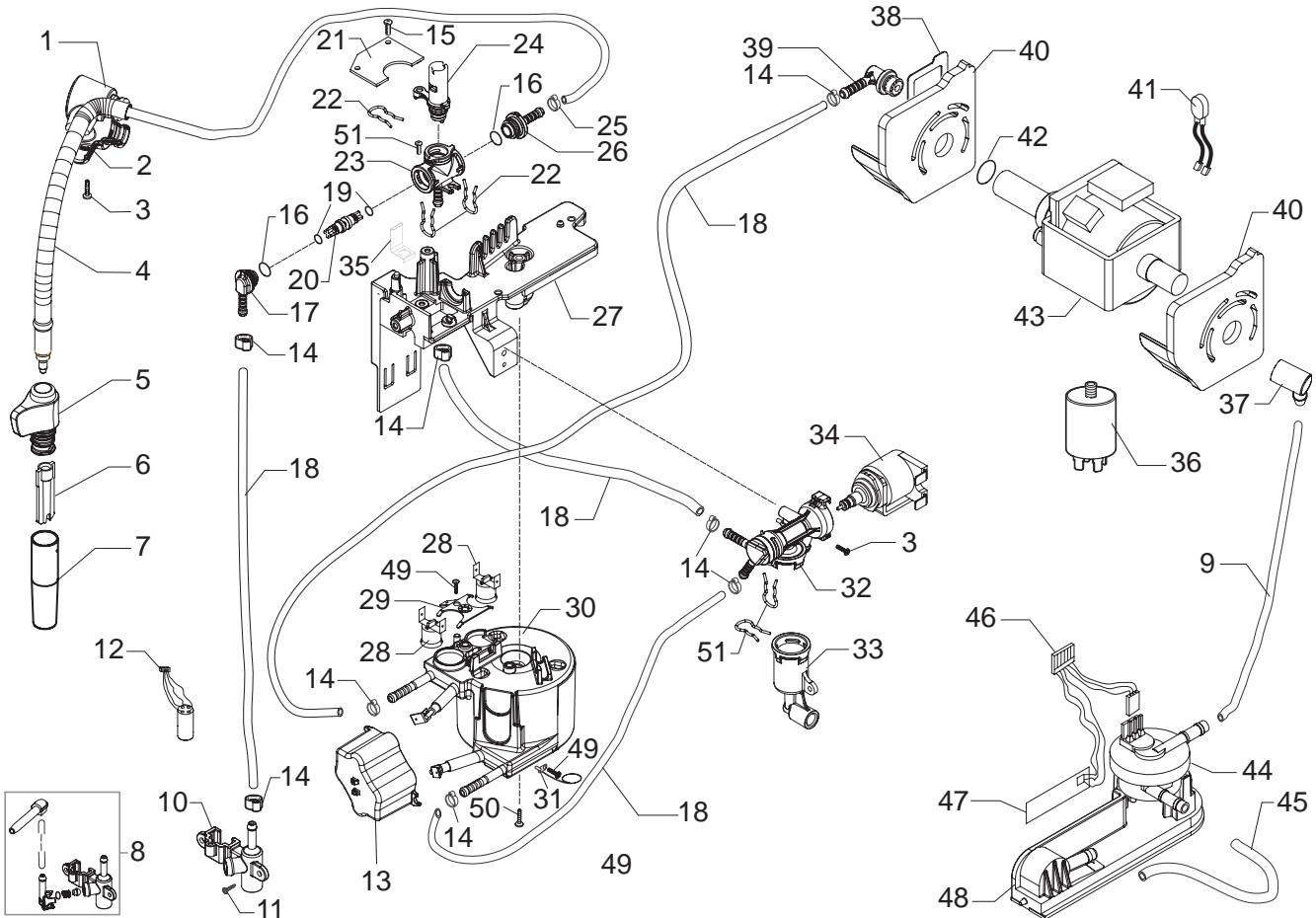


Saeco SUP032NR
INTERNATIONAL GROUP



Cod. 1000224-241-1552-1553
1554-1555-1556-1557-1558-1559

POS	CODE	DESCRIPTION	NOTE	POS	CODE	DESCRIPTION	NOTE
01	11007378	CHR/PLAT.CREAM ADJUSTM.KNOB V2 P124 ASS.					
02	11007420	INTERNAL CONN.V2 FOR COFFEE DISPENSER					
03	11002110	AMBRA COFFEE DISPENSER LENS P0053					
04	11004208	CHROMED FRONT COFFEE DISPENSER COVER					
05	11002111	BLACK CAP COFFEE DISPEN.HEAD BODY P0053					
06	11002049	BLACK COFFEE DISPENSER BODY P0053					
07	11004119	CHROMED REAR COFFEE DISPENSER COVER					
08	11003222	TITANIO DISPLAY FRONT PLATE P0053/B ASSY					
09	11004099	TITANIO FRONT PANEL SUPPORT P0053/C					
10	12000164	DISPLAY VL 1351 P0053/B AMBRA					
11	11002044	DISPLAY SUPPORT P0053/B					
12	129912702	SCREW PT TORX 3X10 WN 1411 GALVANIZ					
13	20000651	KIT SPAR. CPU P0053/B+FAUCET BOARD 3SEN.	WITH PAR.N°21 TA.3				
		UP TO S/N 90006SA40284869					
	11004912	AS.CPU+SW V1 P0053/B					
		FROM S/N9006SA40284870 UP TO S/N9007SA40310479					
	11008067	CPU+SW AS.V2 P0053/B					
		FROM S/N. 9007SA40310480					
14	11002112	BLACK BROW SUPPORT P0053					
15	149198700	SUPPORT CREAM ADJUSTMENT SHAFT					
16	140326661	OR METRIC 0040-20 IN EPDM					
17	126772518	SPRING FOR CREAM ADJUSTMENT SHAFT					
18	140640200	CREAM ADJUSTMENT SHAFT					
19	11000290	BLACK COFFEE DISPENSER TUBE P124					
20	12000070	OR METRIC 0060-15 IN SILICONE					
21	9011.144	FORK FOR TUBE D.4					
22	11001766	TEFLON TUBE 2X4 L=125 MM ASSY					
23	140328059	OR 2015 IN SILICONE PTFE/FDA					
24	12000450	SCREW TORX T10 3,5X12 UNI9786 GALVANIZED					
25	11002130	FAST LOCK CONNECT. FOR EROGATOR P0053					
26	11001337	BLACK TUBE TEFLON INSERT P0049					
27	11001304	BLACK DRIP TRAY GUIDE LID P0049					
28	11004358	TITANIO DRIP TRAY SUPPORT PROTECT.P0049					
29	11001758	PIN WITH BLACK INSERT ASSY.P0049					
30	11001364	MOVE DRIP TRAY SPRING P0049					
31	11001335	BLACK PIN INSERT FOR DRIP TRAY P0049					
32	11002033	BLACK DRIP TRAY GUIDE P0053					
33	11004092	CARBONA DRIP TRAY SUPPORT P0053					
34	11004095	SPECCHIATO GRATE FOR DRIP TRAY P0053					
35	11004093	CARBONA DRIP TRAY P0053					
36	11004185	AMBRA FLOAT FOR DRIP TRAY P0049					

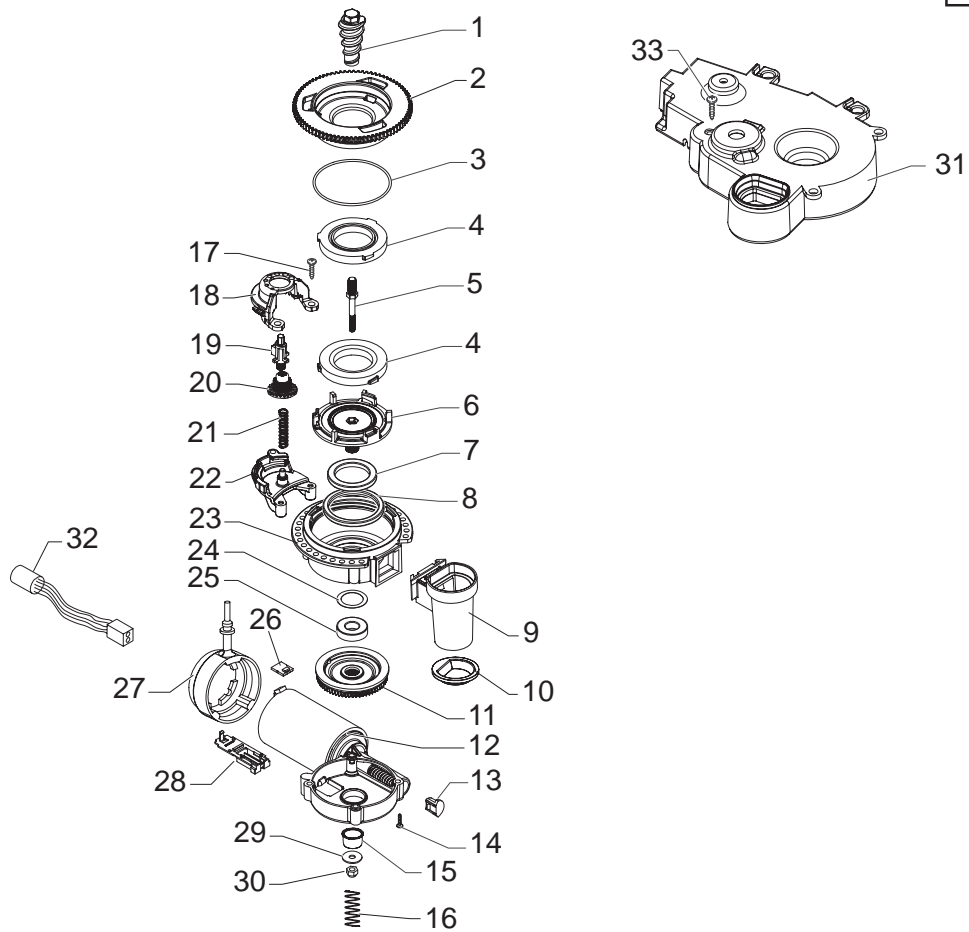


Saeco SUP032NR
INTERNATIONAL GROUP



Cod. 1000224-241-1552-1553
1554-1555-1556-1557-1558-1559

POS	CODE	DESCRIPTION	NOTE	POS	CODE	DESCRIPTION	NOTE
01	11004196	CHROMED UPPER STEAM TUBE COVER P0049		36	12000005	ANTIDISTURB FILTER 10A FNC 1005474103P	230V
02	11004197	CHROMED LOWER STEAM TUBE COVER P0049		37	12000007	ANTIDISTURB FILTER 16A FNC 1610474472P	100-120V
03	129912202	SCREW TCB TORX T10 3X12 UNI 9786 ZN		38	147920150	90° CONNECTOR PUMP INLET	
04	11003122	STEAM TUBE P0049 ASSY.		39	11004776	STEEL BRACKET PUMP SUPPORT P0049	
05	11001625	STEAM TUBE HANDGRIP P0049		40	11001054	90°CONNECTOR PUMP OUTLET P0049/B	
06	11001620	PANNARELLO INTERNAL TUBE P0049		41	11001365	BLACK PUMP SUPPORT P0049	
07	11001621	STAINLESS STEEL COVER PANNARELLO P0049		42	11001778	2POLES CONNECTOR PUMP P0049	230V
08		PARTICULAR NOT AVAILABLE	SEE PART. N°10	43	11005668	2POLES CONNECTOR PUMP P0049 UL	100-120V
09	149360200	UP TO S/N. 9007SA40333704		44	140321961	OR 2031 IN TERMOIL	
10	11007421	SILICONE TUBE 5X8 70SR IN ROLL		45	12000140	ULKA PUMP EP5/S GW	230V-50HZ
11	12000450	BLACK CONNECTOR FOR P0054		46	12000142	ULKA PUMP EAP5/S	120V-60HZ
12	11000465	FROM S/N. 9007SA40333705		47	12000130	ULKA PUMP EP5/S GW	100V-50/60HZ
13	11005284	SCREW TORX T10 3,5X12 UNI9786 GALVANIZED		48	12000182	ULKA PUMP EP5/S GW	220V-60HZ
14	12000892	4POLE CONNECTOR FOR P0054		49	12000781	TURBINE D=1,2 932-8521/90 ASSY.	
15	129912702	BLACKBOILER CONNECT. COVER P0049/P0053		50	JS01.022	SILICONE TUBE 5X10 60 SHORE IN ROLL	
16	12000042	OETIKER CLAMP D=9,5 16700004		51	11001790	6POLES CONNECT. LEVEL+FLOWMETER P0049	230V
17	11001544	SCREW PT TORX 3X10 WN 1411 GALVANIZ			11005648	6 POLES CONN. LEVEL+FLOWMETER P0049 UL	120V
18	16000380	OR 108 IN VITON FDA 70 SH		47	11000651	WATER LEVEL SENSOR BOARD P124	
19	12000541	FAUCET CONNECTOR P0049		48	11003670	BLACK TURBINE SUPPORT/V2 P0049	
20	11004134	5X8,9 SILICONE TUBE IN ROLL		49	129573202	SCREW TCB PH/TT 4X8 UNI 8112 ZNP	
21	20000651	OR 2012 IN VITON FDA 70 SH		50	129932502	GALVANIZDE SELF DRILLING SCREW 5X30	
		BRASS FAUCET SHAFT P0049		51	11005096	FORK SPRING FOR VALVE P0049	
		KIT SPARES CPU P0053/B+FAUCET BOARD 3SEN	WITH PAR.N°13 TA.2				
	11007569	UP TO S/N 90006SA40284869			11008698	TEA/BRASS FAUCET P0049-P0053 ASSY.	
		TAP ELECTRONIC CARD G0053 ASSY.				WITH PART. N°16-17-19-20-22-23-24-26	
		FROM S/N 9006SA40284870			11001543	BLOWDOWN VALVE P0049 230V ASSY.	
22	11001499	FORK SPRING FOR FAUCET P0049			11005604	BLOWDOWN VALVE P0049 120V ASSY.	
23	11004625	TEA/BRASS FAUCET CASING P0049			11005751	BLOWDOWN VALVE P0049 100V ASSY.	
24	11004135	PLAST/BRASS FAUCET SHAFT P0049 ASSY.			11009021	BLOWDOWN VALVE P0049 220V-60HZ ASSY.	
25	NF11.052	OETIKER CLIP				WITH PART. N°32-33-34-51	
26	11001546	FAUCET STRAIGHT CONNECTOR P0049			11008027	ALUM.BOILER V2 P0053 230V ASSY.	COMPLETE
27	11001332	SUPPORT FOR BOILER-FAUCET-VALVE P0049			11008028	ALUM.BOILER V2 P0053 120V ASSY.	COMPLETE
28	189428600	THERMOSTAT 175° 1NT-08L-5125			11008029	ALUM.BOILER V2 P0053 100V ASSY.	COMPLETE
29	11001751	THERMOSTATES SPRING FOR BOILER			11009131	ALUM.BOILER V2 P0053 220V-60HZ ASSY.	COMPLETE
30	11001750	ALUM.BOILER/V3 1300W ASSY.	230V				
31	11005608	ALUM.BOILER/V3 1300W ASSY.	120V				
32	11005609	ALUM.BOILER/V3 1300W ASSY.	100V				
33	190800100	TEMPERATURE SENSOR NTC ULL L=280MM					
34	20000591	BLOWDOWN VALVE CASING P0049 ASSY.					
35	20000592	BLOWDOWN VALVE CONNECTOR P0049 ASSY.					
	20000590	BLOWDOWN VALVE COIL P0049 ASSY.	230V				
	20000680	BLOWDOWN VALVE COIL P0049 ASSY.	120V				
	20000681	BLOWDOWN VALVE COIL P0049 ASSY.	100V				
	20000920	BLOWDOWN VALVE COIL P0049	220V-60HZ ASSY				
	11002957	FAUCET SPRING P0049					

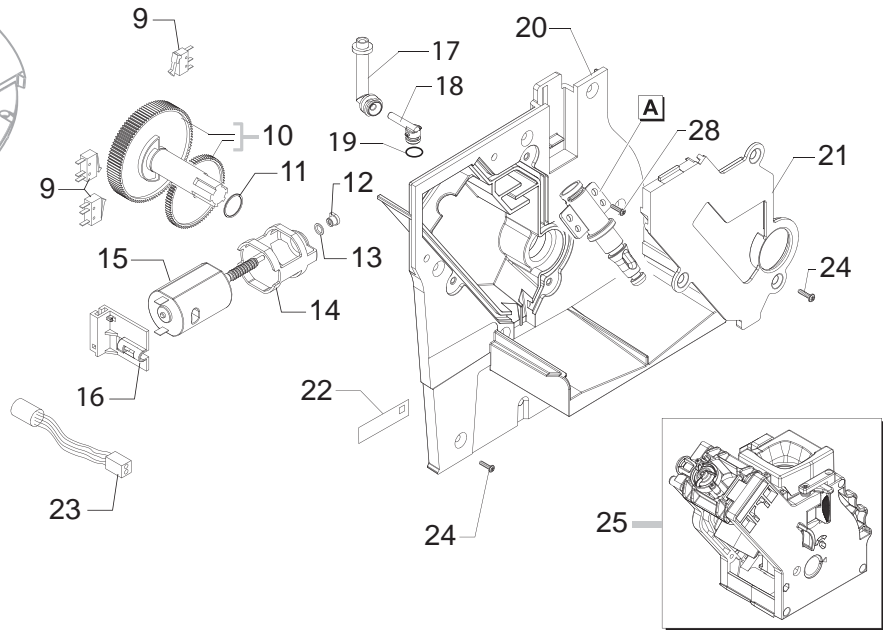
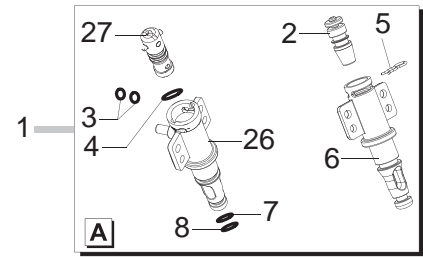
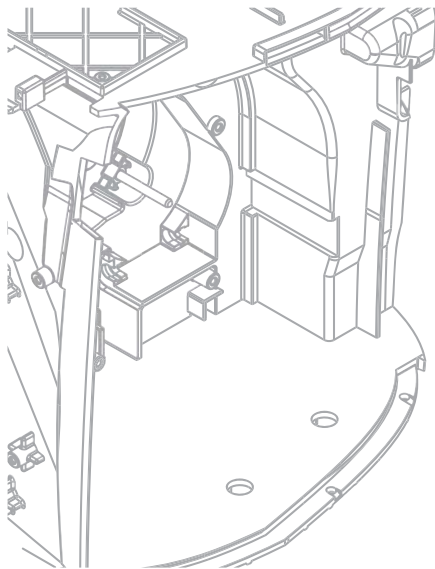


Saeco SUP032NR
INTERNATIONAL GROUP



Cod. 1000224-241-1552-1553
1554-1555-1556-1557-1558-1559

POS	CODE	DESCRIPTION	NOTE	POS	CODE	DESCRIPTION	NOTE
01	9141.001	SCREW OF INCREMENT					
02	149198250	UPPER GRINDER SUPPORT COFFEEGRINDER					
03	140328960	NBR FDA OR METRIC 0530-15					
04	146520100	BAKED CLAY KLAGER GRINDER 48X28					
05	127473603	STEEL PIN M4-M6 FOR INCREMENT SCREW					
06	149198350	LOWER GRINDER SUPPORT COFFEEGRINDER					
07	123030300	AXIAL BEARING EKKO 342.35252					
08	140360500	FELT RING 45,4X39,4X4					
09	222870250	GROUND COFFEE OUTLET CONVEYOR ASSY.					
10	145854462	GROUND COFFEE CONT.SEAL LOWER SMART1					
11	226000300	GEAR SX Z=38 FOR GRINDER MOTION ASSY.					
12	11000513	MOTOR COFFEEGRINDER/V3.1 DOMEL ASSY	230V				
	11000511	MOTOR COFFEEGRINDER/V3.1 DOMEL ASSY	120V				
	11000512	MOTOR COFFEEGRINDER/V3.1 DOMEL ASSY	100V				
13	149214800	CAP FOR WORM SCREW MCV3 CENTRING					
14	129661702	PANELVIT TCB SCREW 3,5X25 D.7505 ZN					
15	11002873	INSULATOR BUSH FOR GRINDER MOTOR P124					
16	11000597	COFFEE GRINDER SUPPORT SPRING P124					
17	129660102	PANELVIT TCB SCREW 3,5X18 D.7505 Z					
18	11002508	UPPER GEAR SUPPORT COFFEEGRINDER P124					
19	11003446	BLACK INSERT FOR COFFEE GRINDER P0049					
20	11003784	COFFEE GRINDING ADJUSTMENT GEAR P0049					
21	11002572	GRINDER REGULATION SPRING P124					
22	11002613	LOWER GEAR SUPPORT COFFEEGRINDER P124					
23	142905450	UPPER BODY WITH COFFE.GROUND OUTLET					
24	128381800	CRINKLE WASHER 21,8X15,8X0,2					
25	123030200	RADIAL BEARING 61900.2RS1					
26	181540900	ELECTRONIC BOARD WITH SENSOR HAL506					
27	11001367	BLACK COFFEE GRINDER SUPPORT P0049					
28	149199050	SENSOR SUPPORT FOR COFF.GRIND.MOTOR					
29	128381902	GALVAN.FLAT WASH.DI=4,3 DE=14 SP=1,5					
30	123453102	SELF LOCK NUT M4 DIN 982 HIGH GALV.					
31	11001826	SOUNDPR. COVER FOR COFGRINDER P0053					
32	11003449	5POLES CONNECTOR MC SENSORS P0049	230V				
	11005658	5POLES CONNECTOR MC SENSORS P0049 UL	100-120V				
33	129661902	TCB SCREW 3,5X18 PLASTITE 45°					
	11007416	GENERAL MOTOR MC V2 P0049 230V ASSY.					
	11007417	GENERAL MOTOR MC V2 P0049 120V ASSY.					
	11007418	GENERAL MOTOR MC V2 P0049 100V ASSY.					



Saeco SUP032NR
INTERNATIONAL GROUP



Cod. 1000224-241-1552-1553
1554-1555-1556-1557-1558-1559

POS	CODE	DESCRIPTION	NOTE	POS	CODE	DESCRIPTION	NOTE
01	11005113	PIN V2 FOR BOILER P049/B ASSY.					
02	11000692	NIKELED BRASS CAP FOR PIN BOILER P119 UP TO S/N. 9007SA40012839					
03	140328059	OR 2015 IN SILICONE PTFE/FDA					
04	140324459	OR METRICO 0060-20 SILICON.PTFE/FDA					
05	9011.144	FORK FOR TUBE D.4 UP TO S/N. 9007SA40012839					
06		PARTICULARE NOT AVAILABLE UP TO S/N. 9007SA40012839	SEE PART. N°01				
07	NM01.035	OR ORM 0090-20 SILICONE					
08	NM01.057	OR ORM 0050-20 SILICONE					
09	NE05.038	MICROSWITCH					
10	20000455	SPARES KIT GEARS FOR RATIOMOTOR P124 UP TO S/N 9007SA40310479					
	20000900	SPARES KIT GEARS FOR RATIOMOTOR V2 FROM S/N 9007SA40310480					
11	9161.132	MYLAR WASHER FOR RATIOMOTOR					
12	9121.046	SINTERED BUSH FOR MOTOR					
13	148380200	WASHER BAKELIZZATE D=5,5					
14	9121.044	ANTIVIBRATION FOR MOTOR					
15	11003037	MOTOR FOR RATIOMOTOR ASSY.					
16	11001331	BLACK MICROSW. SUPPORT DUMP BOX P0049					
17	11004086	VALVE DESCARGING WATER 90° CONNECTOR					
18	11003648	COVER DESCARGING WATER 90° CONNECTOR OR METRIC 0070-20 IN SILICONE					
19	140325462	OR METRIC 0070-20 IN SILICONE					
20	11006337	BLACK COVER FOR MOUNTING PLATE P0049 AS.					
21	11001312	BLACK COVER FOR VAIN BOILER P0049					
22	11000651	WATER LEVEL SENSOR BOARD P124					
23	11003661	SENSORE REED MK3-1A66-BV16451	100-120V				
24	129914102	SCREW K 35X12 WN 1423 GALVANIZED					
25	11002145	BLACK BREW UNIT 8GR. P124/SBS SEE TAB. COD. EXP. E90042					
26	11003801	PIN V2 FOR BOILER P119 FROM S/N. 9007SA40012840					
27	11003820	CAP V2 FOR PIN BOILER P119 FROM S/N. 9007SA40012840					
28	129661902	TCB SCREW 3,5X18 PLASTITE 45°					