

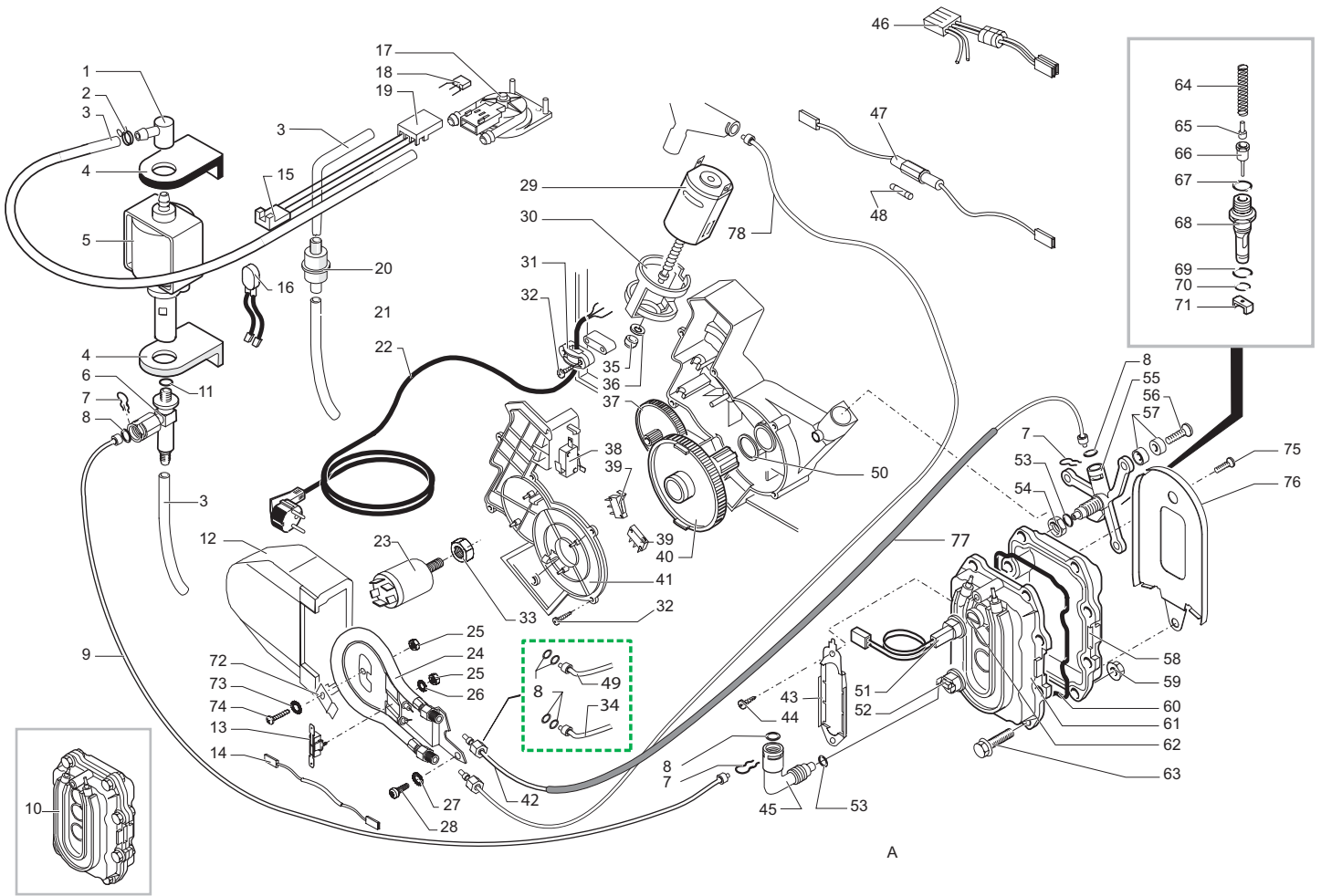
Saeco SUP 018 CR
INTERNATIONAL GROUP



Cod. 741433-39-43
Cod. 1000236

POS	CODE	DESCRIPTION	NOTE	POS	CODE	DESCRIPTION	NOTE
01	222820341	SILVER COVER M5000-COMTESSE		37	147756600	ELECTRONICS BOARD PROTECTION M5000	
	11000169	COVER M5000-COMTESSE/UL SILVER		38	127390100	BRUSH FOR CLEANING	
02	0701.031.150	SEAL COVER GREY		39	0311.017.050	BLACK SUPPORT FOR ELECTRONIC CARD M5000	
03	145842900	WATER CONTAIN.VALVE SEAL GACO DIM14		40	U140.004	PANELVIT TCB 3,0X12 DIN 7505 B GAL	
04	129535721	SCREW TSP3,5X9,5 DIN 7982 SS		41	181567458	ELECT.BOARD CA M5000-SUPVAP 230V	WITH ALUM. BOILER
05	0324.005.580	WATER CONT.LID M5000-COMTES.SILVER			181567455	TERM. BOARD FOR CA M5000-SUPVAP 120V	WITH ALUM. BOILER
06	0701.014.150	SEAL CONTAINER GREY			286474358	SPARES KIT ELEC.PARTS M5000/RS.230V	WITH AL.BO.WITH RES
07	0312.022	SEAL FOR VALVE CONTAINER			181554355	ELECTR.BOARD CA M5000-RAPSTEAM 120V	WITH AL.BO.WITH RES.
08	U143.007	SCREW TORX TCB 2,9X19 SS BUR		42	9161.220	SPRING FOR FUNCTION BUTTON	
09	222693880	TRANSP/GREY WATER CONTAINER M5000 ASSY.		43	0324.002.380	MET.BLACK FUNCTION BUTTON M5000-COMTES.	
	222694080	WATER CONTAINER AS.M5000 TRANS/GREY		44	NE03.029	ROLD SWITCH CM E1058	230V
10	140324362	OR METRIC 0060-30 IN SILICONE	J		186076255	UNIP. SWITCH ROLD 120V CM A1058	120V
11	126764718	SPRING FOR WATER CONTAINER VALVE		45	U140.009	PANELVIT TCB 3,0X16 DIN 7505 B GAL	
12	147660562	GREY WATER VALVE CONTAINER PISTON		46	0324.003.380	ON/OFF BUTTON M5000-COMT.MET.BLACK	
13	0311.A03.580	SILVER CASING M5000 + FEET ASSY.	WITH PART. N°15-17-19	47	224883441	FR.PAN.M5000 COMTES.SILV.S/SCR.SV	
	11000136	CASING AS.M5000/UL + FEET SILVER	WITH PART. N°15-17-19	48	0311.016.380	DOSE ADJUSTMENT KNOB M5000 METBLACK	
14	0311.004.580	SILVER GROUNDS CONTAINER M5000		49	145850100	ADH. SEAL FRONT FUSTEL.PLA. M5000	
15	9991.105	MAGNET D.9MM		50	13000030	UPPER INSERT POLYSTIR.BOX M5000	
16	0311.020	BRACKET FOR DOOR CLOSURE		51	13000031	LOWER INSERT POLYSTIR.BOX M5000	
17	147622850	BLACK FOOT		52	178505100	DISPLAY BOX SAECO M5000 CAFE'	
18	228993041	DOOR M5000 SILV.S/SCREEN CAF.CREMA			178505000	DISPLAY BOX SAECO M5000 VIENNA	
	228991641	DOOR M5000 SILVER S/SCR.VIEN.DELUX		53	165937700	INSTRUC.MANUAL NEUTRAL TYP SUP018CR	
	228995641	DOOR M5000 SILVER S/SCR.CAFE'GRANO+		54	0324.007.580	SUPPLEMEN.LID M5000-COMTESSE SILVER	
19	145894700	ROTATING RING RETAINING INSERT			11000170	SUPPLEMEN.LID M5000-COMTESSE/UL SILVER	
20	147715659	COFFEE DOSE ADJUST. KNOB M5000	X CA REGUL. DOSE	55	147755280	BEAN CONT. PROT. + DOS.ADJUST S500	120V
21	222711580	BEAN CONT.W/O SLOTS+DOS.ADJUST.M5000 ASS	VIENNA DE LUXE	56	224640200	EXTERNAL FILTER FOR WATER CONTAINER ASSY	WITH PART. N°57
	222710780	B.CONT.AS.W/SLOT W/O DOS ADJ. M500	CAFE' CREMA	57	140328461	EPDM OR METRIC 0190-10	
	142713780	BEAN CONT. W/SLOTS W/ DOS REG. S50	120V				
22	129517103	SCREW TCB3,5X38,1 DIN 7981 GALV					
23	129670202	PANE. TCB SCREW 3,5X16 TESTA D=8 Z					
24	0311.022.380	METAL/BLACK FIXED DISPENSING CHANNEL					
25	0311.011.380	METAL/BLACK MOBILE DISPENSING CHANNEL					
26	0311.012.380	DISPENSING SUPPORT METALLIZAT.BLACK					
27	147622150	BLACK FOOT FOR REVOLVING RING					
28	220380159	ROTATING RING ASS.GREY/BLACK FEET	WITH PART. N°27				
29	0324.004.580	COFFEE CONT.LID M5000-COMTES.SILVER					
30	9141.051.490	GRINDING ADJUSTMENT KNOB					
31	U109.029	SCREW AUT.TCB 3,5X32 DIN 7981 C					
32	9161.270	SEAL FOR COFFEE CONTAINER					
33	146001850	COFFEE DOSE ADJ.GEAR BLACK M5000	X CA REGUL. DOSE				
34	146000850	GEAR COFF. GRIND. ADJUSTMENT COMBI					
35	0311.010.380	GRATE M5000 METALIZED BLACK					
36	0311.005.580	SILVER DRIP TRAY M5000					

Saeco SUP 018 CR
INTERNATIONAL GROUP



Saeco SUP 018 CR
INTERNATIONAL GROUP

ALUMINUM BOILER
UP TO S/N. 9003SA40336785



Cod. 741433-39-43
Cod. 1000236

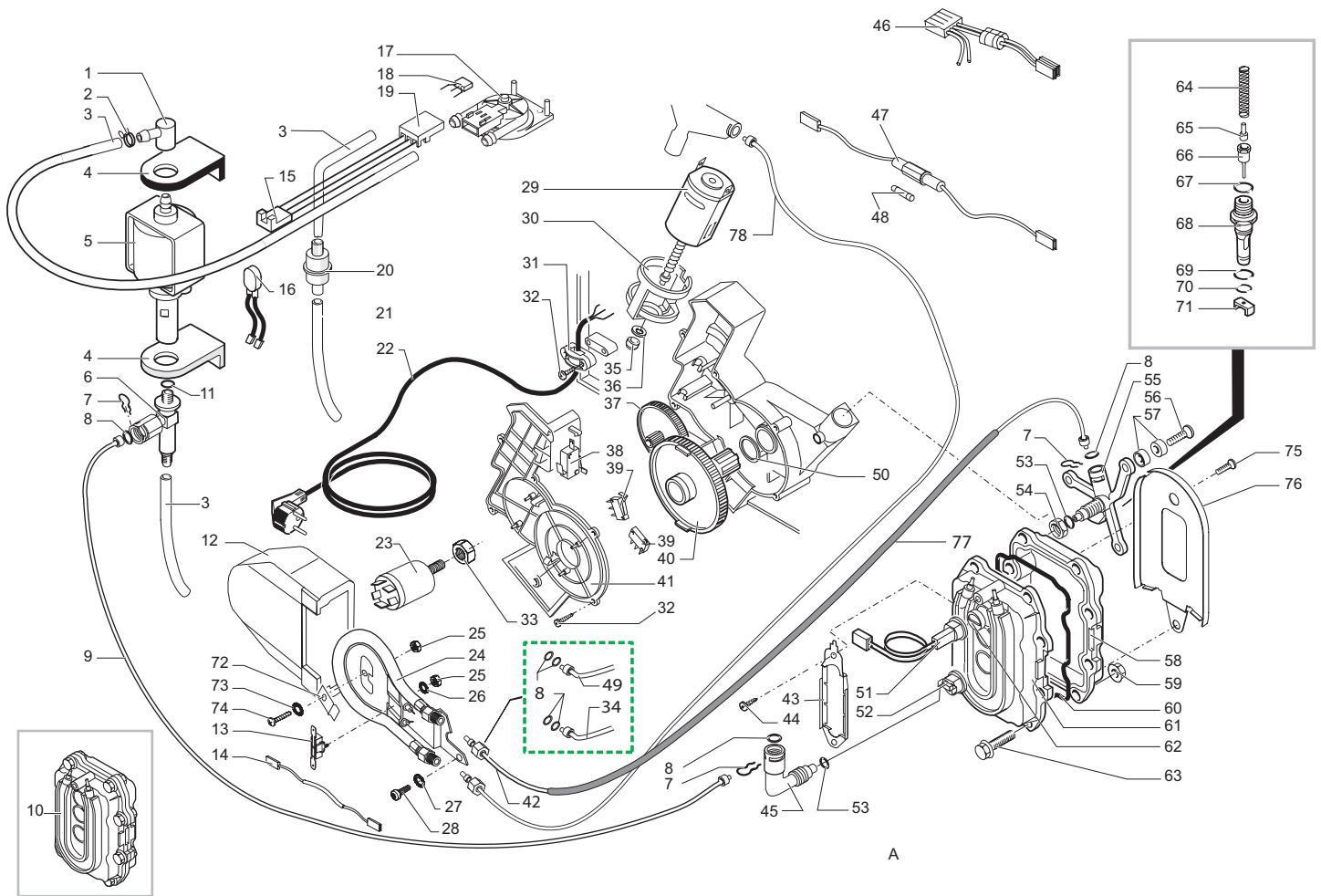
POS	CODE	DESCRIPTION	NOTE	POS	CODE	DESCRIPTION	NOTE
01	147920150	90°CONNECTOR PUMP INLET		24	288140458	HEATING-ELEMENT BLECKMAN ASSY.	230V-1000W
02	184320200	SPRING HOSE CLAMP D=9,5MM			288140455	HEATING-ELEMENT BLECKMAN ASSY.	120V-1000W
03	149360200	SILICONE TUBE 5X8 70SR IN ROLL			288140454	HEATING-ELEMENT BLECKMAN ASSY.	100V-1000W
04	149185850	EATON PUMP SUPPORT MAGIC 4002012		25	U302.003	NUT HEXAGONAL M4 UNI 5588	
05	12000140	ULKA PUMP EP5/S GW	230V-50HZ	26	128420102	ELASTIC WASHER UNI 1751 B4 GALV	
	12000131	ULKA PUMP EP5/S	120V-60HZ	27	128310504	WASHER UNI 8842 A5 BURN.	
	12000130	ULKA PUMP EP5/S GW	100V-50/60HZ	28	129575902	SCREW TAPT M5X16 DIN 7985 ZNP	
06	229451300	PUMP SAFETY VALVE D=8 ULKA PUMP		29	286891458	GENER.ASS.MOTOR 230V FOR RATIOMOTOR	WITH PART. N°30-46
07	9011.144	FORK FOR TUBE D.4			286891454	GENER.ASS.MOTOR 100V FOR RATIOMOTOR	WITH PART. N°30-46
08	140328059	OR 2015 IN SILICONE PTFE/FDA		30	9121.044	ANTIVIBRATION FOR MOTOR	
09	227871900	CONNECTOR AS. TEFLON 2X4 L=250 MM		31	148600600	CABLE CLAMP V0 MAGIC ESP COMBI UL	
10	286472858	SPARES KIT AN/BOIL+SENS.CAB.M5000/F	(I P E ARG)	32	129670202	PANE. TCB SCREW 3,5X16 TESTA D=8 Z	
	286473058	SPARES KIT AN/BOIL+SENS.AS.M5000V2F	OTHER COUNTRY	33	123453602	FLANGE NUT M8 TOOTHED BASE GALV.	
	286473055	SPARES KIT AN/BOIL+SENS.AS.M5000V2F	WITH PART. N°58-61	34	227872600	TEFLON TUBE 2X4 L=275 MM ASSY	
	286472854	SPARES KIT AN/BOIL+SENS.CAB.M5000/F	WITH PART. N°58-61	35	9121.046	SINTERED BUSH FOR MOTOR	
	140321961	OR 2031 IN TERMOIL		36	148380200	WASHER BAKELIZZATE D=5,5	
11	140321961	OR 2031 IN TERMOIL		37	9121.042	GEAR Z.12/90	
12	147755100	HEAT.ELEMENT PROT.BLECKMANN M5000		38	NE05.042	MICROSWITCH	
13	189428300	THERMOSTAT 175° INTERCONTR.161471002		39	NE05.038	MICROSWITCH	
14	183440800	CABLE 1 WIRE SILIC.BLACK THERM/FUSE 229°	230V	40	9121.068.150	GEAR Z=108 FOR MOUNTING PLATE M5000	
	183441062	CABLE 1WIRE SILICON.BLACK AWG18+TH/FUSE	120V	41	9161.200.920	TRANSPARENT LID FOR RATIOMOTOR M5000	
15	283542200	3 POLES CONNECTORS TURB.M5000 ASSY.		42	227875300	CONNECTOR AS.TEFLON 2X4 L=275 MM	
16	0311.807	YELLOW HARNESS KLIXON JP 13	230V		126836517	STEEL SPRING RETAIN.3 THE.BOIL. M5	
	289201000	THERMAL. PROTECT 120 C CABLE.125/3	120V	44	129575403	SCREW TAPT M5X10 DIN 7500C NICK	
17	286473300	-M-VDE TURBINE WITH SENSOR KIT	WITH PART. N°18	45	127914020	"BRASS 90 DEG FIT.1/8" GAS MASTER	
18		PARTICULAR NOT AVAILABLE	SEE PART. N°17	46		PARTICULAR NOT AVAILABLE	SEE PART. N°29
19	9161.018	BRACKET FOR TURBINE		47	183003662	1 STR+ SIL. CABLE BLUE 510 MM	230V
20	144650300	SUCTION FILTER GAUZE NET 500 (NEW			183361062	CABLE 1 WIRE SIL.BLUE AWG18 + FUSE	120V
21	JS01.022	SILICONE TUBE 5X10 60 SHORE IN ROLL		48	327002200	FUSE T6,3 AMP.5X20 RETARDED	230V
22	183910450	POWER CABLE SCHUKO BLACK L=1500			184950200	FUSE T15 AMP.DELAYED	120V
	183930250	POW.CABLE CH BLACK H05+3FAST.L=1500		49	227872500	TEFLON TUBE 2X4 L=530 MM ASSY	
	183921360	PO.CABLE SJT3C 16AWG USA GREY.5F.L=1700			9161.132	MYLAR WASHER FOR RATIOMOTOR	
	183940250	BLACK POWER CABLE AUSTR.H05+FAST.L=1500		50	286472258	SENSOR KIT FOR CA M/S 5000 V2	230V
23	184651100	ANTIDISTURB FILTER 0,47X2+1000Y2+0,5L		51	286472255	SENSOR KIT FOR CA M/S 5000 V2	120V
	184651500	ANTIDISTURB FILTER 16A FNC 1610474472A		52	189428200	THERMOSTAT 175° 1NT-08L-3794	
24	286474658	SPARES KIT BLECKMANN M5000	230V				
	286474655	UP TO S/N. 9003SA40299540					
	286474655	SPARES KIT BLECKMANN M5000	120V				
	286474654	UP TO S/N. 9003SA40299540					
	286474654	SPARES KIT BLECKMANN M5000	100V				
	286474654	UP TO S/N. 9003SA40299540					

Saeco SUP 018 CR
INTERNATIONAL GROUP

ALUMINUM BOILER
UP TO S/N. 9003SA40336785

Rev. 08 - 21/12/06

TAVOLA 2a/4



Saeco SUP 018 CR
INTERNATIONAL GROUP

ALUMINUM BOILER
UP TO S/N. 9003SA40336785



Cod. 741433-39-43
Cod. 1000236

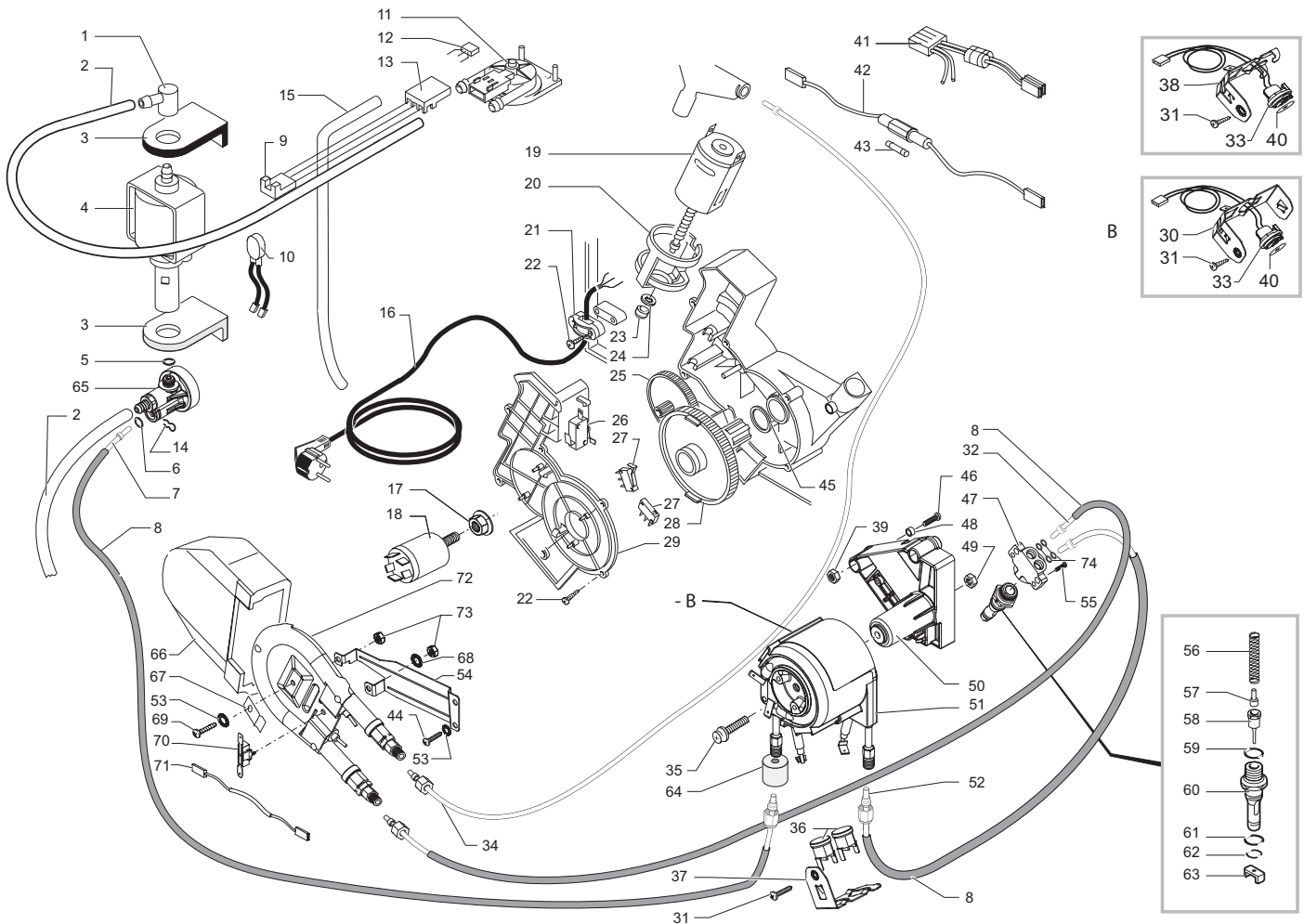
POS	CODE	DESCRIPTION	NOTE	POS	CODE	DESCRIPTION	NOTE
53	140321462	OR 2018 IN SILICONE					
54	123390420	NUT 1/8 GAS H=4.5 CH=13 BRASS					
55	9011.126	ALU.BOILER SUPPORT BRASS					
56	U044.017	SCREW TSPC M5,0X20 UNI 7688 GALV.					
57	9161.206	INSULATING SPACER FOR BOILER					
58		PARTICULAR NOT AVAILABLE	SEE PART. N°10				
59	123270102	NUT M6 FLANGED TOOTHED BASE GALV					
60	9011.129	BOILER SEAL					
	145854200	BOILER SEAL					
61		PARTICULAR NOT AVAILABLE	SEE PART. N°10				
62	11004424	ALUM.SPACER FOR PHILIPS SENSOR MAGIC					
63	U046.004	SCREW TEFZ M6,0X26 GALV.					
64	9011.132	SPRING FOR PIN					
65	227480203	BRASS/NIK.PIN FOR PISTON L=10					
66	227660103	BRASS PISTON L=20,9 ASSY.					
67	140320462	OR METRICO 0080-20 IN SILICONE					
68	9011.100	PEG FOR VALVE IN PLASTIC					
69	NM01.035	OR ORM 0090-20 SILICONE					
	140323161	OR METRIC 0090-20 IN TERMOIL	JAP				
70	NM01.057	OR ORM 0050-20 SILICONE					
	140324761	OR METRIC 0050-20 IN TERMOIL	JAP				
71	9011.099	M CURSOR FOR BOILER VALVE IN PLASTIC					
72	127535319	THERMAL FUSE FIXING PLATE					
73	128310404	WASHER UNI 8842 A4 BURNISHED					
74	129823802	TCB SCREW M4X8 UNI 7687 ZNP					
75	129740103	SCREW TSPC PH/SW 5X10 UNI 8113 NICK					
76	129024602	GUARD BRACKET HEAT ELEM.BOILER M500					
77	149361200	BLACK SILICON TUBE 7,5X9,3 IN ROLL					
78	227875700	CONNECTOR TEFLON 2X4 L=530 MM ASSY. DA MATR. 9003SA40299541					
	289433200	GEN TURB. AS.UNIFIED FOR M5000					
	289434800	GEN.TURB.AS.W/O FILTER UNIFIED M5000					

Saeco SUP 018 CR
INTERNATIONAL GROUP

ALUMINUM BOILER
UP TO S/N. 9003SA40336785

Rev. 08 - 21/12/06

TAVOLA 2b/4



Saeco SUP 018 CR
INTERNATIONAL GROUP

ALUMINUM BOILER WITH RESIST.
FROM S/N. 9003SA40336786



Cod. 741433-39-43
Cod. 1000236

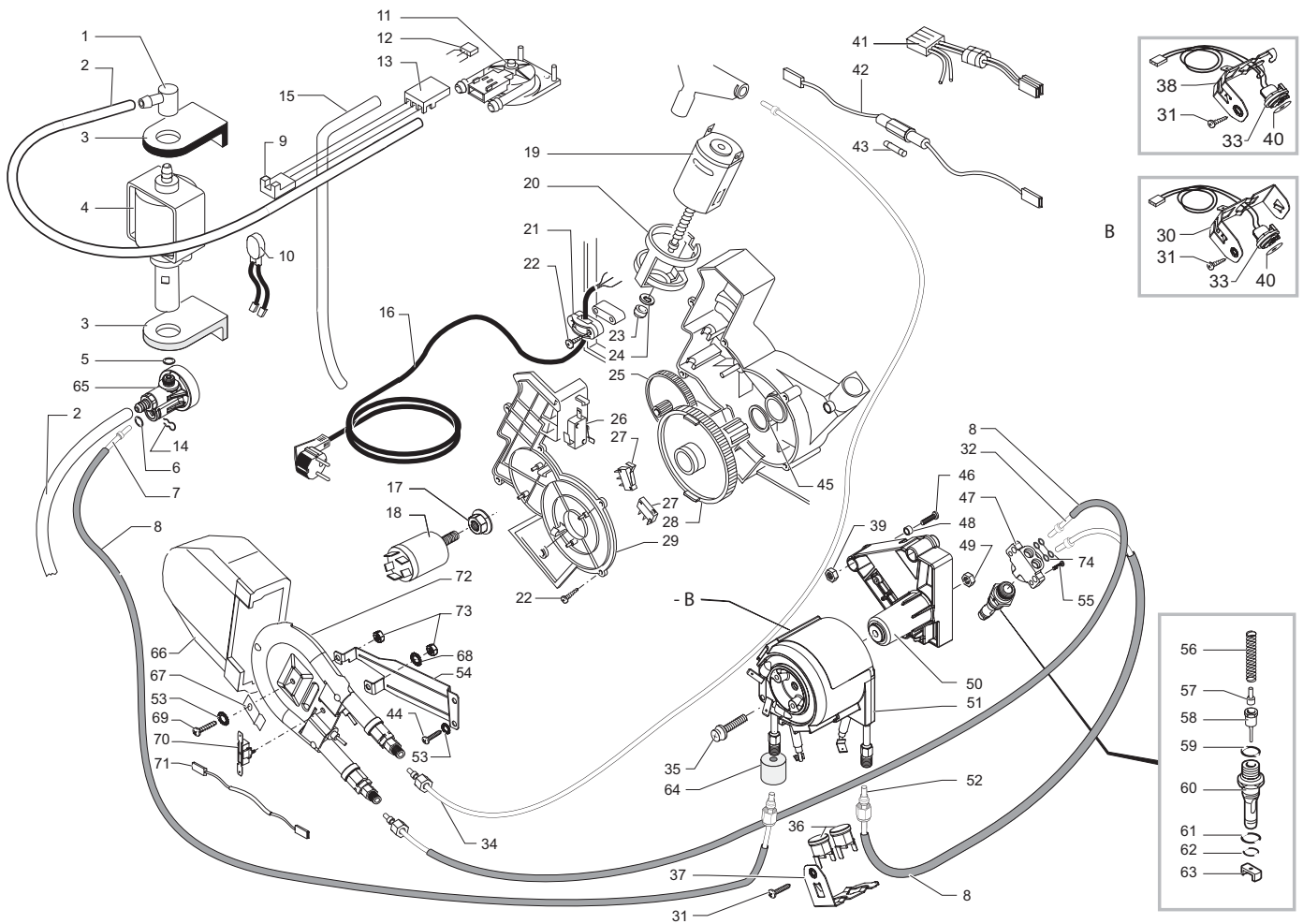
POS	CODE	DESCRIPTION	NOTE	POS	CODE	DESCRIPTION	NOTE
01	147920150	90°CONNECTOR PUMP INLET		31	129573202	SCREW TCB PH/TT 4X8 UNI 8112 ZNP	
02	149360200	SILICONE TUBE 5X8 70SR IN ROLL		32	227875300	CONNECTOR AS.TEFLON 2X4 L=275 MM	
03	149185850	EATON PUMP SUPPORT MAGIC 4002012		33	288582200	SENSOR ASS.FOR ALLUM.BOILER AS.	
04	12000140	ULKA PUMP EP5/S GW	230V-50HZ	34	11003556	CONNECTOR TEFLON 2X4 L=530 MM ASSY.	
	12000131	ULKA PUMP EP5/S	120V-60HZ	35	129932202	ROUND HEAD SCREW 10.9 M5X20 GALV	
	12000130	ULKA PUMP EP5/S GW	100V-50/60HZ	36	189428200	THERMOSTAT 175° 1NT-08L-3794	
05	140321961	OR 2031 IN TERMOIL		37	126838117	2 THERMOSTATS FIXING SPRING	
06	NM02.028	OR 2015 EPDM FDA		38	126838217	SENSOR FIXING SPRING	
07	227874900	CONNECTOR AS.TEFLON 2X4 L=250 MM		39	U310.003	NUT SELF LOCK.M5 UNI 7473	
08	149361200	BLACK SILICON TUBE 7,5X9,3 IN ROLL		40	145951600	ELECTRIC INSULATING DISK D=16	
09	283542200	3 POLES CONNECTORS TURB.M5000 ASSY.		41	PARTICULAR NOT AVAILABLE	SEE PART. N°19	
10	0311.807	YELLOW HARNESS KLIXON JP 13	230V	42	183003662	1 STR+ SIL. CABLE BLUE 510 MM	230V
	289201000	THERMAL. PROTECT 120°C CABLE.125/3	120V	43	183361062	CABLE 1 WIRE SIL.BLUE AWG18 + FUSE	100-120V
11	286473300	-M-VDE TURBINE WITH SENSOR KIT	WITH PART. N°12	44	327002200	FUSE T6,3 AMP.5X20 RETARDED	230V
12		PARTICULAR NOT AVAILABLE	SEE PART. N°11	45	184950200	FUSE T15 AMP.DELAYED	100-120V
13	9161.018	BRACKET FOR TURBINE		46	129573402	SCREW TAPT M4X10 DIN 7985 GALV	
14	9011.144	FORK FOR TUBE D.4		47	129932502	ALUM.BOILER WITH RESISTANCE	230V-1100W
15	JS01.022	SILICONE TUBE 5X10 60 SHORE IN ROLL		48	282058855	ALUM.BOILER WITH RESISTANCE	120V-275W
16	183910450	POWER CABLE SCHUKO BLACK L=1500		49	282058854	ALUM.BOILER WITH RESISTANCE	100V-1100W
	183930250	POW.CABLE CH BLACK H05+3FAST.L=1500		50	227876800	CONNECTOR TEFLON 2X4 L=235 MM ASSY.	
	183921360	PO.CABLE SJT3C 16AWG USA GREY.5F.L=1700		51	282058855	ALUM.BOILER WITH RESISTANCE	
	183940250	BLACK POWER CABLE AUSTR.H05+FAST.L=1500		52	128310404	WASHER UNI 8842 A4 BURNISHED	
	183922060	POWER CABLE SJT3C USA GREY 5F.L1590		53	129024802	GALV.BRACKET BOILER M5000 SUPPORT	
	183980550	POWER CABLE JAPPON VCTF BLACK L=1590 MM		54	129910103	HI -LO TC SCREW 3,5X15 RIF.910189	
	11002892	GREY POWER CABLE TAIWAN HVCTF L=1440		55	9011.132	SPRING FOR PIN	
17	123453602	FLANGE NUT M8 TOOTHED BASE GALV.		56	227480203	BRASS/NIK.PIN FOR PISTON L=10	
18	184651100	ANTIDISTURB FILTER 0,47X2+1000Y2+0,5L	230V	57	227660103	BRASS PISTON L=20.9 ASSY.	
	184651500	ANTIDISTURB FILTER 16A FNC 1610474472A	120V	58	140320459	OR METRICO 0080-20 SILICON.PTFE/FDA	
19	11004835	GEN.MOTOR FOR RATIONOMOTOR M5000 UL ASSY.	WITH PART. N°20-41				
20	9121.044	ANTIVIBRATION FOR MOTOR					
21	148600600	CABLE CLAMP V0 MAGIC ESP COMBI UL					
22	129670202	PANE. TCB SCREW 3,5X16 TESTA D=8 Z					
23	9121.046	SINTERED BUSH FOR MOTOR					
24	148380200	WASHER BAKELIZZATE D=5,5					
25	9121.042	GEAR Z.12/90					
26	NE05.042	MICROSWITCH					
27	NE05.038	MICROSWITCH					
28	9121.068.150	GEAR Z=108 FOR MOUNTING PLATE M5000					
29	9161.200.920	TRANSPARENT LID FOR RATIONOMOTOR M5000					
30	126838017	SENSOR FIXING SPRING					
		UP TO S/N. 9004SA40085113					

Saeco SUP 018 CR
INTERNATIONAL GROUP

ALUMINUM BOILER WITH RESIST.
FROM S/N. 9003SA40336786

Rev. 04 - 17/01/07

TAVOLA 3a/4



Saeco SUP 018 CR
INTERNATIONAL GROUP

**ALUMINUM BOILER WITH RESIST.
FROM S/N. 9003SA40336786**



**Cod. 741433-39-43
Cod. 1000236**

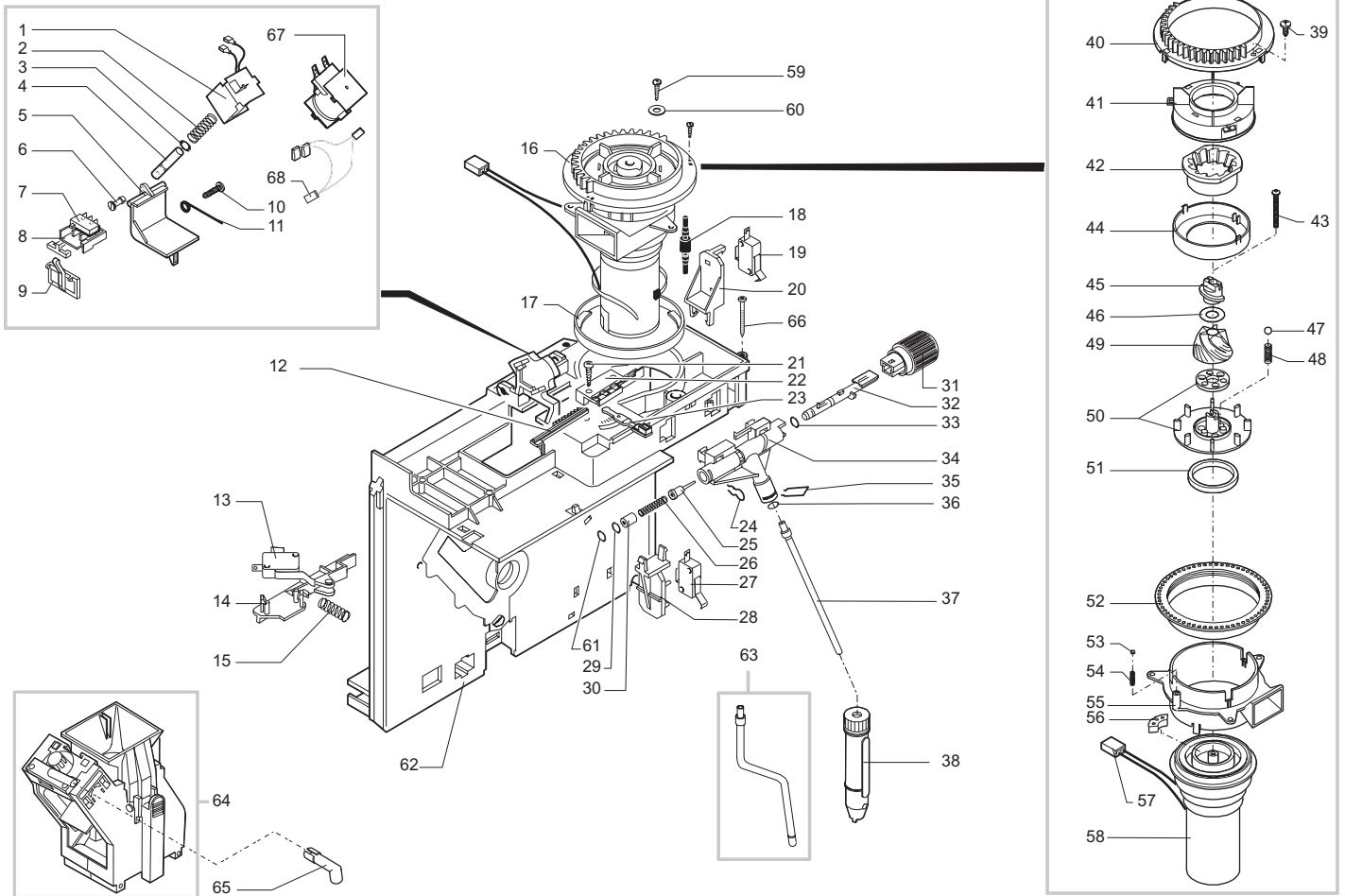
POS	CODE	DESCRIPTION	NOTE	POS	CODE	DESCRIPTION	NOTE
60	9011.100	PEG FOR VALVE IN PLASTIC					
61	NM01.035	OR ORM 0090-20 SILICONE					
62	NM01.057	OR ORM 0050-20 SILICONE					
63	9011.099	M CURSOR FOR BOILER VALVE IN PLASTIC					
64	147756562	PROTECTION FOR FOLK SPRING TUBE D=4					
65	229452100	COMPENSATION AND SAFETY VALVE 16BAR ASSY					
66	147755100	HEAT.ELEMENT PROT.BLECKMANN M5000					
67	127535319	THERMAL FUSE FIXING PLATE					
68	128420102	ELASTIC WASHER UNI 1751 B4 GALV					
69	129823802	TCB SCREW M4X8 UNI 7687 ZNP					
70	189428300	THERMOSTAT 175° INTERCONTR.161471002					
71	183440800	CABLE 1 WIRE SILIC.BLACK THERM/FUSE 229°					
72	288140458	HEATING-ELEMENT BLECKMAN ASSY.	230V-1000W				
	288140455	HEATING-ELEMENT BLECKMAN ASSY.	120V-1000W				
	288140454	HEATING-ELEMENT BLECKMAN ASSY.	100V-1000W				
73	U302.003	NUT HEXAGONAL M4 UNI 5588					
74	140328059	OR 2015 IN SILICON. PTFE/FDA					
	289433200	GEN TURB. AS.UNIFIED FOR M5000					
	289434800	GEN.TURB.AS.W/O FILTER UNIFIED M5000					
	282133558	ALUM.BOILER 230V AS.WITH RESISTANCE					
	282133555	ALUM.BOILER 120V AS.WITH RESISTANCE					
	282133554	ALUM.BOILER 100V AS.WITH RESISTANCE					

Saeco SUP 018 CR
INTERNATIONAL GROUP

**ALUMINUM BOILER WITH RESIST.
FROM S/N. 9003SA40336786**

Rev. 04 - 17/01/07

TAVOLA 3b/4



Saeco SUP 018 CR
INTERNATIONAL GROUP



Cod. 741433-39-43
Cod. 1000236

POS	CODE	DESCRIPTION	NOTE	POS	CODE	DESCRIPTION	NOTE
01	9129.A07.00A	COFFEE DOSER COIL ASS.230V UP TO S/N. 20024065687		40	148650250	SECTOR GEARGRIND ADJUSTMENT KNOB COMBI	
	283770755	V2 COFFEE DOSER COIL ASS.120V		41	149186150	BLACK UPPER GRINDER SUPPORT MAGIC	
02	126764818	SPRING ELECTROMAGN.BEAN DOSER MAGIC		42		PARTICULAR NOT AVAILABLE	SEE PART. N°49
03	U701.003	SNAP RING 7 UNI 7434		43	129931002	TORX SCREW T10 TCB 3,5X40 SX ZNG	
04	9161.041	DOSER ELECTROMAGNET CORE		44	142844550	UPPER GRINDER COVER COFFEE GRIND. MAGIC	
05	9161.074.150	DOSER DOOR GREY		45	147470763	INCREASE SCREW PIN COFFEE GRINDER MAGIC	
06	9161.076.150	DOSER DOOR PIN GREY		46	U201.002	PLAIN WASHER 10X16X0,2DIN 988 GAL	
07	NE05.017	MICROSWITCH		47	128610521	STAIL.STEEL AISI 304 SPHERE D=5,5MM	
08	149185959	BEAN DOSER MICRO SUPORT MAGIC		48	126765517	STEEL SPRING SPHERE D=5,5 MOTOR MAGIC	
09	148700559	COFFEE DOSER DOSE ADJ. SEL. GR MAG		49	226473500	KIT TECNCA GRINDERS	WITH PART. N°42
10	U140.004	PANELVIT TCB 3,0X12 DIN 7505 B GAL		50	149188750	CONICAL GRIND. SUPP. + RING MAGIC	
11	9161.048	SCRAPER ROD		51	140360200	FELT RING 40X34X5	
12	148740450	TOOTHED SLIDE FOR DOSE ADJUST GEAR		52	146570950	RING NUT FOR GRINDING ADJUSTMENT MAGIC	
13	186724100	MICROSWITCH SAIA X3M302K2KAM92AU		53	128610421	STAIL.STEEL AISI 304 SPHERE D=3,2MM	
14	9161.202.150	COMPENSATOR FOR GROUND'S MICRO		54	126770117	NEW SPRING SPHERE D=3,2 MOTOR MAGIG	
15	9161.221	SPRING GROUND.MICROSUPP.COMPENSA		55	149186350	GRINDER MOTOR SUPP.BLACK MAGIC	
16	286883758	GENER.MOTOR AS M5000 (STD/V2)	230V	56	140230400	SHOCK ABS .CONICAL GRINDER SUPP.MAGIC	
	286883755	GENER.MOTOR AS.M5000 (STD/V2)	120V	57	283544900	2POLES CONN.AS.COFF.GRIND.JP1 CA	230V
	286883754	GENER.MOTOR AS.M5000 (STD/V2)	100V		283542600	2 P.CONN.AS. COFF.GRIND.JP1 CA	120V
17	9141.052	COFFEEGRINDER REINFORCING RING		58	286851858	MOTOR AS.NEW MAGIC DE LUXE	230V
18	9991.103	ANTIVIBRATION FOR COFFEEGRINDER			286851855	MOTOR AS.NEW MAGIC DE LUXE	120V
19	NE05.043	MICROSWITCH			286851854	MOTOR AS.NEW MAGIC DE LUXE	100V
20	9161.207.150	SUPPORT FOR FAUCET MICRO		60	U207.004	PLAIN WASHER 4,3X16 UNI 6592 GAL	
21	129660902	PANELVIT TCB SCREW 3,5X12 D.7505 Z		61	140328161	OR D=3,85 X 1,90 IN EPDM	
	129670202	PANE. TCB SCREW 3,5X16 TESTA D=8 Z	X CA REGUL. DOSE	62	9161.249.150	MOUNTING PLATE ASSEMBL.GREY	
22	147571850	BLACK LEVER FIXING PLATE + DOSE ADJUSTM.	X CA REGUL. DOSE	63	229380908	CHROMED STAIN TUBE AS.L=125,88 S5000	
	147571059	GREY LEVER FIX.PLATE W/O DOSE ADJUSTM.		64	11004181	BLACK BREW UNIT NEW M5000	
23	9161.122.150	DOSE ADJUSTMENT LEVER GREY CLASSIC				SEE EXPL. COD. E90050	
24	9011.144	FORK FOR TUBE D.4				NOTE: FOR SINGLE PART. OF THE OLD GROUP	
25	227660103	BRASS PISTON L=20,9 ASSY.				COFFEE' GREY	
26	126765317	STEEL SPRING BOIL. PISTON MAG.9011		65	0311.023.150	SEE EXPL. COD. E90026	
27	186723600	MICROSWITCH SAIA X3M502K2KAM92AS		66	129661402	SLEEVE FOR DISPENSER	
28	9161.208.150	SUPPORT FOR DOOR MICRO		67	9129.A23.00A	SCREW PANELVIT TCB 3X38 DIN 7505 ZN	
29	NM02.028	OR 2015 EPDM FDA				WHOLE COIL M5000/S5000 230V	
30	9991.112	BUSH FOR FAUCET				FROM S/N. 20024065688	
31	227720953	STEAM KNOB M5000 MET BLACK S/SCREE		68	289202800	THERMAL PROTECTOR 100°C CAB.145/280	
32	9161.205	STEAM TAP SHAFT				FROM S/N. 20024065688	
33	140328561	OR D=4,18 X 1,90 IN TERMOIL					
34	9161.204.G	STEAM FAUCET					
35	126764018	SPRING D=1STEAM TUBE HOLDER JUN.					
36	140324461	OR METRIC 0060-20 IN TERMOIL					
37	9011.149	STEAM TUBE ASSY.					
38	147430150	PANNARELLO AS. BLACK PLASTIC					
39	129511803	SCREW TCB 2,9X6,4 DIN 7981 NICK					

Saeco SUP 018 CR
INTERNATIONAL GROUP