

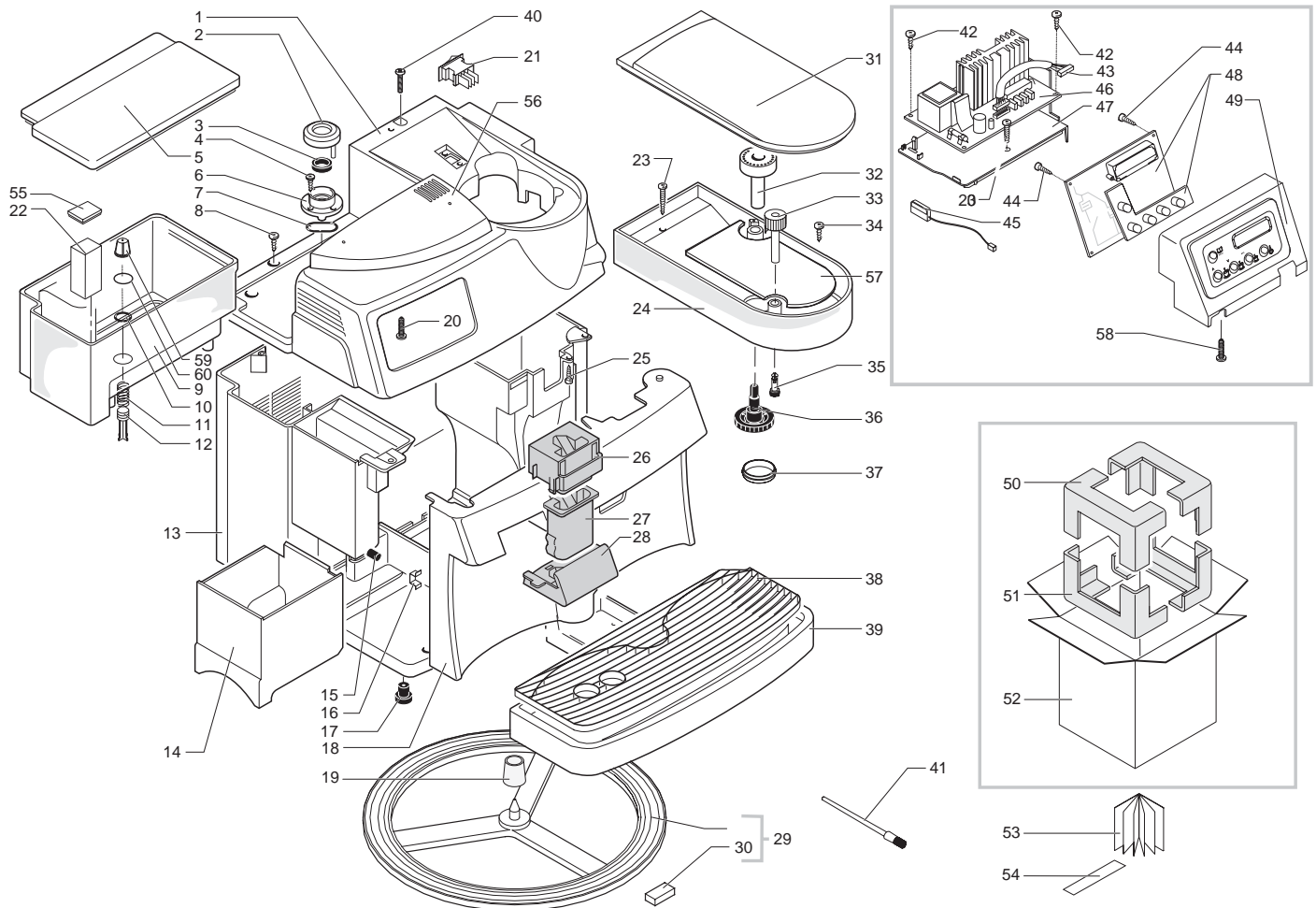
Saeco SUP 018 CDR
INTERNATIONAL GROUP

Cod. 741442-47-56-67

POS	CODICE	DESCRIZIONE	NOTE
01	222820341	SILVER COVER M5000-COMT.	
	222820358	MISTRAL/GREY COVER M5000-COMT.	
	222820375	ZIRCON COVER M5000-COMT.	
02	0701.031.150	SEAL COVER GREY	
03	145842900	WATER CONTAIN.VALVE SEAL GACO DIM14	
04	129535721	SCREW TSP TORX 10 3,5X9,5 SHEET SS	
05	0324.005.820	MISTRAL/GREY WATER CONT.LID M5000-COMT.	
	0324.005.250.A	ZIRCON WATER CONT.LID M5000-COMT.	
	0324.005.580	SILVER WATER CONT.LID M5000-COMT.	
	0324.005.380	MET/BLACK WATER CONT.LID M5000-COMT.	
06	0701.014.150	SEAL CONTAINER GREY	
07	0312.022	SEAL FOR VALVE CONTAINER	
08	U143.007	screw TORX TCB 2,9X19 SS BUR	
09	222694180	TRANSP/GREY WATER CONTAIN.M5000DIG ASSY.	
	222700680	TRANSP/GREY WATER CONTAINER M5000 ASSY.	
	140324362	OR METRIC 0060-30 IN SILICONE	
11	126764718	SPRING FOR WATER CONTAINER VALVE	
12	147660562	GREY WATER VALVE CONTAINER PISTON	
13	222480858	CASING AS.M5000-DIG.+FEET MIST/GREY	WITH PART. N°15-17-19
	222480875	CASING M5000-DIG.+ FEET ZIRCON ASSY.	WITH PART. N°15-17-19
	222480841	CASING ASS.M5000-DIG.+ FEET SILVER	WITH PART. N°15-17-19
14	0311.004.820	MISTRAL/GREY DUMP BOX M5000	
	0311.004.250.A	ZIRCON DUMP BOX M5000	
	0311.004.580	SILVER DUMP BOX M5000	
15	9991.105	MAGNET D=9 MM	
16	0311.020	BRACKET FOR DOOR CLOSURE	
17	147622850	BLACK EPDM FOOT	
18	228993258	MISTRAL/GREY DOOR S/SCR.CAFE' NOVA M5000	
	228993275	ZIRCON DOOR S/SCR.CAFE' NOVA M5000	
	228993158	MISTRAL/GREY DOOR S/S.VIENNA DIGIT M5000	
	228994186	CHROM.DOOR S/SCR.CAF.NOVA L.IM.EDIT.M5000	
	228993241	SILVER DOOR S/SCR.CAFE' NOVA M5000	
	228995441	SILVER DOOR S/SCR.NOVA ACCENTO M5000	
19	145894700	ROTATING RING RETAINING INSERT	
20	129670202	TCB PANELVIT SCREW 3,5X16 TESTA D=8 ZNP	
21	NE03.028	SWITCH B1031C1181000W	
22	9161.112.150	LEVEL FLOAT GREY	
23	129517103	SCREW TCB3,5X38,1 DIN 7981 GALV	
24	142713680	GREY BEAN CONTAINER M5000	
	142713780	GREY BEAN CONTAINER M5000	
25	129660902	PANELVIT TCB SCREW 3,5X12 D.7505 Z	

POS	CODICE	DESCRIZIONE	NOTE
26	0311.022.380	METAL/BLACK FIXED DISPENSING CHANNEL	
27	0311.011.380	METAL/BLACK MOBILE DISPENSING CHANNEL	
28	0311.012.820	MISTR/GREY COFF.DISPENSER SUPPORT M5000	
28	0311.012.380	MET/BLACK COFFEE DISPENSER SUPPORT M5000	
29	0301.057.150	ROTATING RING WITH GREY FEET	
30	9991.096	ADHESIVE FOOT 8X15X3,2	
31	0324.004.820	MISTR/GREY BEAN COF.CONT.LID M5000-COMT.	
	0324.004.250.A	ZIRCON BEAN COFFEE CONT.LID M5000-COMT.	
	0324.004.580	SILVER BEAN COFFEE CONT.LID M5000-COMT.	
	0324.004.380	MET/BLACK BEAN COFF.CONT.LID M5000-COMT.	
32	9141.051.490	GREY COFFEE GRINDING ADJUSTM.KNOB M5000	
33	147715659	GRY COFFEE DOSE ADJUSTM.KNOB S/SCR.M5000	
34	U109.029	screw AUT.TCB 3,5X32 DIN 7981 C	
35	146001850	BLACK COFFEE DOSE ADJUSTMENT GEAR M5000	
36	146000850	GEAR COFF. GRIND. ADJUSTMENT COMBI	
37	9161.270	SEAL FOR COFFEE CONTAINER	
38	0311.010.380	MET/BLACK GRATE M5000	
39	0311.005.820	MISTRAL/GREY DRIP TRAY M5000	
	0311.005.250.A	ZIRCON DRIP TRAY M5000	
	0311.005.580	SILVER DRIP TRAY M5000	
	0311.005.380	METAL/BLACK DRIP TRAY M5000	
	229631288	CHROMED DRIP TRAY M5000	
40	U140.009	PANELVIT TCB 3,0X16 DIN 7505 B GAL	
41	127390100	BRUSH FOR CLEANING	
42	U140.004	PANELVIT TCB 3,0X12 DIN 7505 B GAL	
43	282000700	CON.AS.13P.13KRKR-6SL100IE W/SHEATH	
44	129660302	PANELVIT TCB SCREW 3X10 DIN 7505 Z	
45	0301.811	CONNECTOR 2 POLES LEVEL ASSY.	
	0317.829	CONNECTOR 2 POLES LEVEL UL ASSY.	
46	181558958	PWR BOARD M5000-DIG.RS 230V	WITH ALUM. BOILER
	181558955	PWR BOARD M5000-DIG.RS 120V	WITH ALUM. BOILER
	181555258	PWR BOARD M5000-DIG.RS 230V	WITH AL.BO.WITH RES.
	181555255	PWR BOARD M5000-DIG.RS 120V	WITH AL.BO.WITH RES.
47	149193350	BLACK POWER ELECT.CARD SUPPORT M5000 DIG	
48	281561800	TOUCH PANEL EL.BOARD M5000VIEN.D.SV	WITH ALUM. BOILER
	281564500	TOUCH PANEL EL.BOARD M5000VIEN.D.SV	WITH AL.BO.WITH RES.
49	224883558	FRO.PAN.AS.M5000-VIEN.DIG.SV/M/GREY	
	224883575	ZIRCON FR.PANEL M5000-VIEN.DIG.SV ASSY.	
	224883541	FRO.PAN.AS.M5000-VIEN.DIG.SV/SILVER	
50	13000030	PS-E UPPER BOX INSERT M5000	
51	13000031	PS-E LOWER BOX INSERT M5000	

Saeco SUP 018 CDR
INTERNATIONAL GROUP

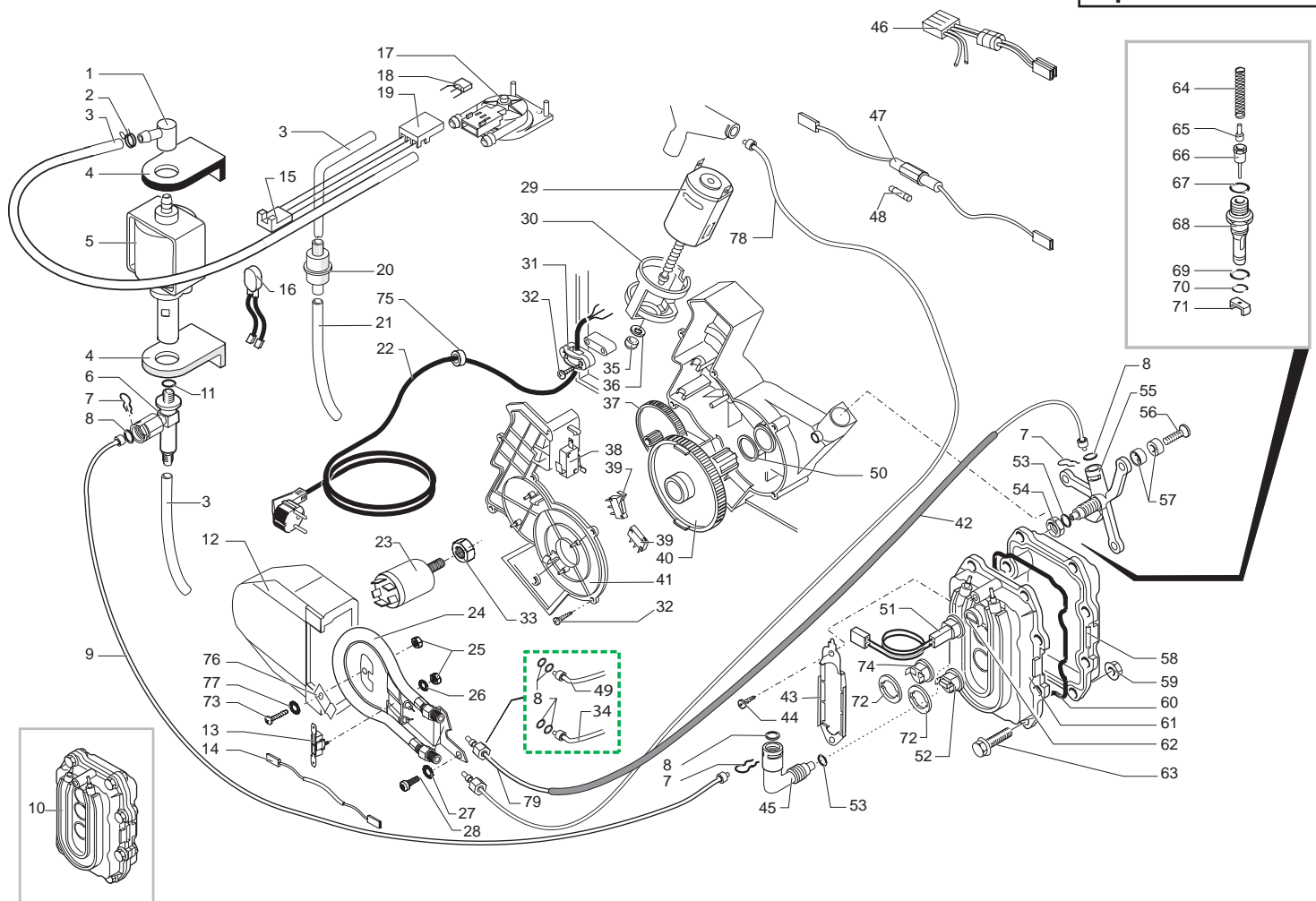


Saeco SUP 018 CDR
INTERNATIONAL GROUP

CE Cod. 741442-47-56-67

POS	CODICE	DESCRIZIONE	NOTE	POS	CODICE	DESCRIZIONE	NOTE
52	178505100	DISPLAY BOX SAECO CAFE' M5000					
	178505000	DISPLAY BOX M5000 SAECO VIENNA					
53	165937800	INSTR.MANUAL NEUTRAL TYP SUP 018DR					
54	0301.961	STICKER FOR WATER HARDNESS TEST					
55	149214359	BLACK CAP FOR FLOATING SPACE LAV.					
56	0324.007.820	MISTRAL/GREY SUPPLEMEN.LID M5000-COMT.					
	0324.007.250.A	ZIRCON SUPPLEMEN.LID M5000-COMT.					
	0324.007.580	SILVER SUPPLEMEN.LID M5000-COMT.					
57	147755280	BEAN CONT. PROT. + DOS ADJUST S500					
58	129533202	SCREW TSPTORX T10 3,5X9,5 D7982 NI					
59	224640200	EXTERNAL FILTER FOR WATER CONTAINER ASSY	WITH PART. N°60				
60	140328461	EPDM OR METRIC 0190-10					

Saeco SUP 018 CDR
INTERNATIONAL GROUP



Saeco SUP 018 CDR
INTERNATIONAL GROUP

ALUMINUM BOILER
UP TO S/N. 9004SA40016419



Cod. 741442-47-56-67

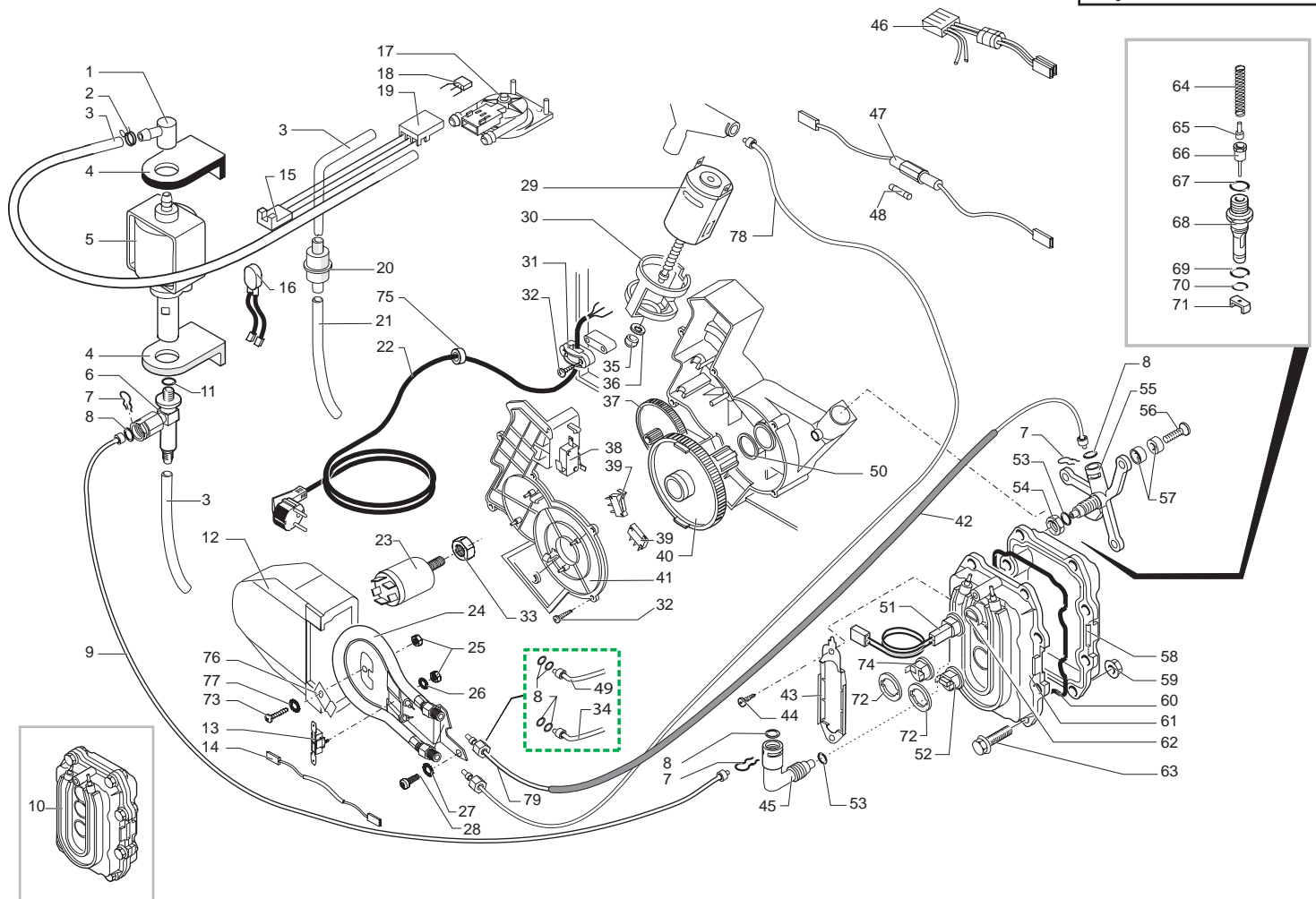
POS	CODICE	DESCRIZIONE	NOTE	POS	CODICE	DESCRIZIONE	NOTE
01	147920150	90°CONNECTOR PUMP INLET		27	128310504	WASHER UNI 8842 A5 BURN.	
02	184320200	SPRING HOSE CLAMP D=9,5MM		28	129575902	SCREW TAPT M5X16 DIN 7985 ZNP	
03	149360200	SILICONE TUBE 5X8 70SR IN ROLL		29	286891358	GEN.MOTOR FOR RATIOMOTOR M/S 5000 ASSY.	
04	149185850	EATON PUMP SUPPORT MAGIC 4002012			286891355	GEN.MOTOR FOR RATIOMOTOR M/S5000 UL ASSY	
05	12000140	ULKA PUMP EP5/S GW 230V-50HZ		30	9121.044	ANTIVIBRATION FOR MOTOR	
	12000131	ULKA PUMP EP5/S 120V-60HZ		31	148600600	CABLE CLAMP V0 MAGIC ESP COMBI UL	
06	229451300	PUMP SAFETY VALVE D=8 ULKA PUMP		32	129670202	PANE. TCB SCREW 3,5X16 TESTA D=8 Z	
07	9011.144	FORK FOR TUBE D.4		33	123453602	FLANGE NUT M8 TOOTHED BASE GALV.	
08	140328059	OR 2015 IN SILICONE PTFE/FDA		34	227872600	TEFLON TUBE 2X4 L=275 MM ASSY	
09	227871900	CONNECTOR AS. TEFLON 2X4 L=250 MM				UP TO S/N. 9003SA40340775	
10	282058158	AN/ALU.BOIL.AS.230V M5000 V2.1/F SP	WITH PART. N°58-61	35	9121.046	SINTERED BUSH FOR MOTOR	
	282058155	AN/ALU.BOIL.AS.120V M5000 V2.1/F SP	WITH PART. N°58-61	36	148380200	WASHER BAKELIZZATE D=5,5	
11	140321961	OR 2031 IN TERMOIL		37	9121.042	GEAR Z.12/90	
12	147755100	HEAT.ELEMENT PROT.BLECKMANN M5000		38	NE05.042	MICROSWITCH	
13	189428300	THERMOSTAT 175° INTERCONTR.161471002		39	NE05.038	MICROSWITCH	
14	183440800	CABLE 1 WIRE SILIC.BLACK THERM/FUSE 229°		40	9121.068.150	GEAR Z=108 FOR MOUNTING PLATE M5000	
	183441062	CABLE 1WIRE SILICON.BLACK AWG18+TH/FUSE		41	9161.200.920	TRANSPARENT LID FOR RATIOMOTOR M5000	
15	283542200	3 POLES CONNECTORS TURB.M5000 ASSY.		42	149361200	BLACK SILICON TUBE 7,5X9,3 IN ROLL	
16	0311.807	YELLOW HARNESS KLIXON JP 13		43	126836517	STEEL SPRING RETAIN.3 THE.BOIL. M5	
	289201000	THERMAL. PROTECT 120 C CABLE.125/3		44	129575403	SCREW TAPT M5X10 DIN 7500C NICK	
17	286473300	-M-VDE TURBINE WITH SENSOR KIT	WITH PART. N°18	45	127914020	*BRASS 90 DEG FIT.1/8" GAS MASTER	
18		PARTICULAR NOT AVAILABLE	SEE PART. N°17	46		PARTICULAR NOT AVAILABLE	SEE PART. N°26
19	9161.018	BRACKET FOR TURBINE		47	183003662	1 STR+ SIL. CABLE BLUE 510 MM	230V
20	144650300	SUCTION FILTER GAUZE NET 500 (NEW			183361262	CABLE 1 WIRE SIL.BLUE AWG18 +FUSE.	120V
21	JS01.022	SILICONE TUBE 5X10 60 SHORE IN ROLL		48	327002200	FUSE T6,3 AMP.5X20 RETARDED	230V
22	183910450	POWER CABLE SCHUKO BLACK L=1500			184950200	FUSE T15 AMP.DELAYED	120V
	183930250	POW.CABLE CH BLACK H05+3FAST.L=1500		49	227873100	TEFLON TUBE 2X4 L=420 MM ASSY	
	183921360	PO.CABLE SJT3C 16AWG USA GREY.5F.L=1700				UP TO S/N. 9003SA40340775	
	183921350	POW.CABLE SJT3C 16AWG USA BLA.5F.L1700		50	9161.132	MYLAR WASHER FOR RATIOMOTOR	
23	184651100	ANTIDISTURB FILTER 0,47X2+1000Y2+0,5L		51	288581958	SENSOR WITH/OUT RESIS.M5000 230V ASSY.	
	NE13.023	EICHHOFF FILTER 16A			288581955	SENSOR WITH/OUT RESIS.M5000 120V ASSY.	
24	286474658	SPARES KIT BLECKMANN M5000	230V	52	189428200	THERMOSTAT 175° 1NT-08L-3794	
	286474655	SPARES KIT BLECKMANN M5000	120V	53	140321462	OR 2018 IN SILICONE	
	288140458	HEATING-ELEMENT BLECKMAN ASSY.	230V-1000W	54	123390420	NUT 1/8 GAS H=4.5 CH=13 BRASS	
	288140455	HEATING-ELEMENT BLECKMAN ASSY.	120V-1000W	55	9011.126	ALU.BOILER SUPPORT BRASS	
25	U302.003	NUT HEXAGONAL M4 UNI 5588		56	U044.017	SCREWTSPC M5,0X20 UNI 7688 GALV.	
26	128420102	ELASTIC WASHER UNI 1751 B4 GALV		57	9161.206	INSULATING SPACER FOR BOILER	
				58		PARTICULAR NOT AVAILABLE	SEE PART. N°10
				59	123270102	NUT M6 FLANGED TOOTHED BASE GALV	
				60	9011.129	BOILER SEAL	
				61		PARTICULAR NOT AVAILABLE	SEE PART. N°10

Saeco SUP 018 CDR
INTERNATIONAL GROUP

ALUMINUM BOILER
UP TO S/N. 9004SA40016419

Rev. 07 - 07/05/10

TAVOLA 2a/4



Saeco SUP 018 CDR
INTERNATIONAL GROUP

ALUMINUM BOILER
UP TO S/N. 9004SA40016419



Cod. 741442-47-56-67

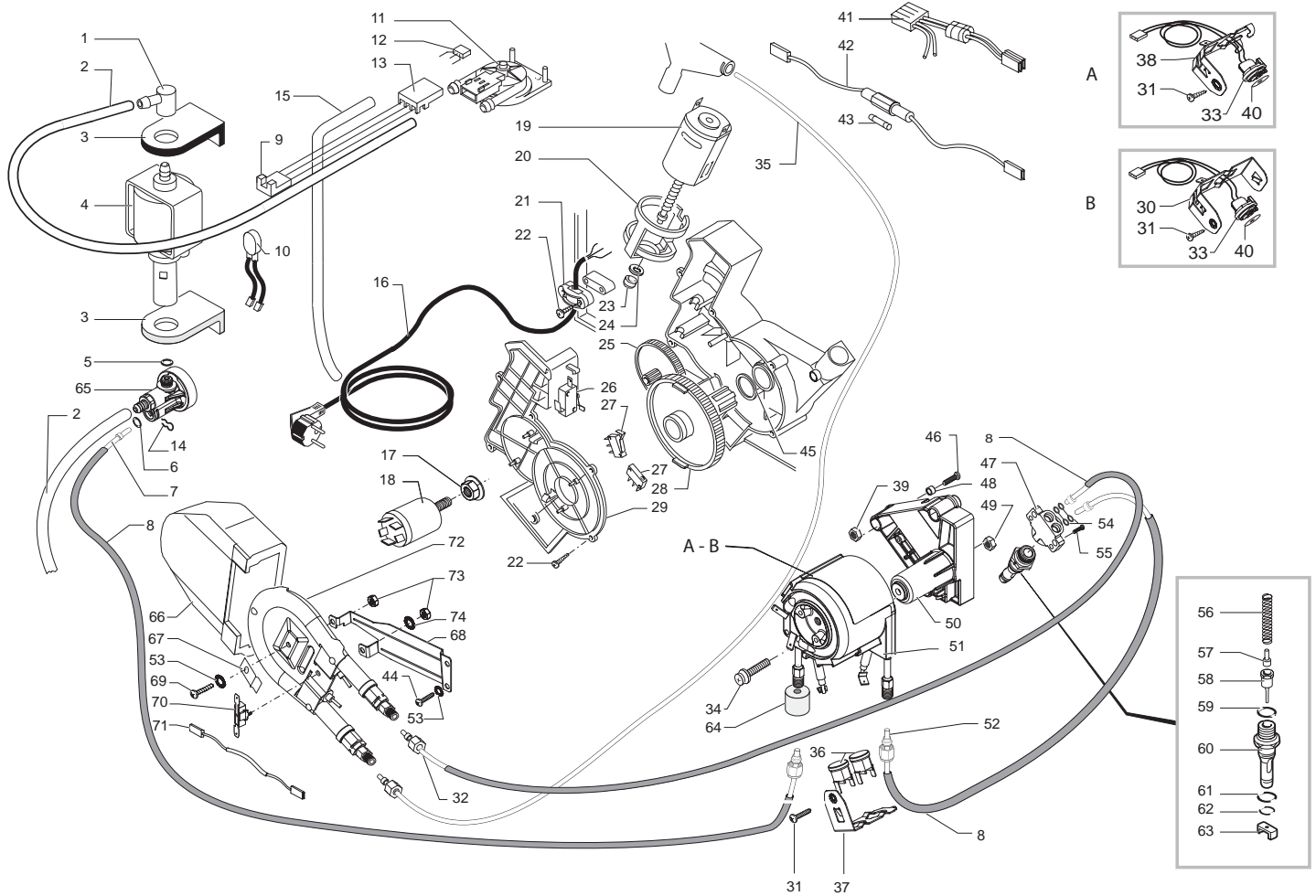
POS	CODICE	DESCRIZIONE	NOTE	POS	CODICE	DESCRIZIONE	NOTE
62	11004424	ALUM.SPACER FOR PHILIPS SENSOR MAGIC					
63	U046.004	SCREW TEFZ M6,0X26 GALV.					
64	9011.132	SPRING FOR PIN					
65	11009013	TEA/BRASS PIN FOR PISTON L=10					
66	11009019	TEA/BRASS PISTON L=20,9 ASSY.					
67	140320462	OR METRICO 0080-20 IN SILICONE					
68	9011.100	PEG FOR VALVE IN PLASTIC					
69	NM01.035	OR ORM 0090-20 SILICONE					
70	NM01.057	OR ORM 0050-20 SILICONE					
71	9011.099	M CURSOR FOR BOILER VALVE IN PLASTIC					
72	9991.085	THERMOSTAT FIXING WASHER					
73	129823802	TCB SCREW M4X8 UNI 7687 ZNP					
74	NE09.021	THERMOSTAT 150°NC FASTON 90°					
75	NL06.002	VOGT TOROID					
76	127535319	THERMAL FUSE FIXING PLATE					
77	128310404	WASHER UNI 8842 A4 BURNISHED					
78	227875600	CONNECTOR AS.TEFLON 2X4 L=420 MM FROM S/N. 9003SA40340776					
79	227875300	CONNECTOR AS.TEFLON 2X4 L=275 MM FROM S/N. 9003SA40340776					
	289434800	GEN.TURB.AS.W/O FILTER UNIFIED M5000					

Saeco SUP 018 CDR
INTERNATIONAL GROUP

ALUMINUM BOILER
UP TO S/N. 9004SA40016419

Rev. 07 - 07/05/10

TAVOLA 2b/4



Saeco SUP 018 CDR
INTERNATIONAL GROUP

ALUM. BOILER WITH RESIST.
FROM S/N. 9004SA40016420



Cod. 741442-47-56-67

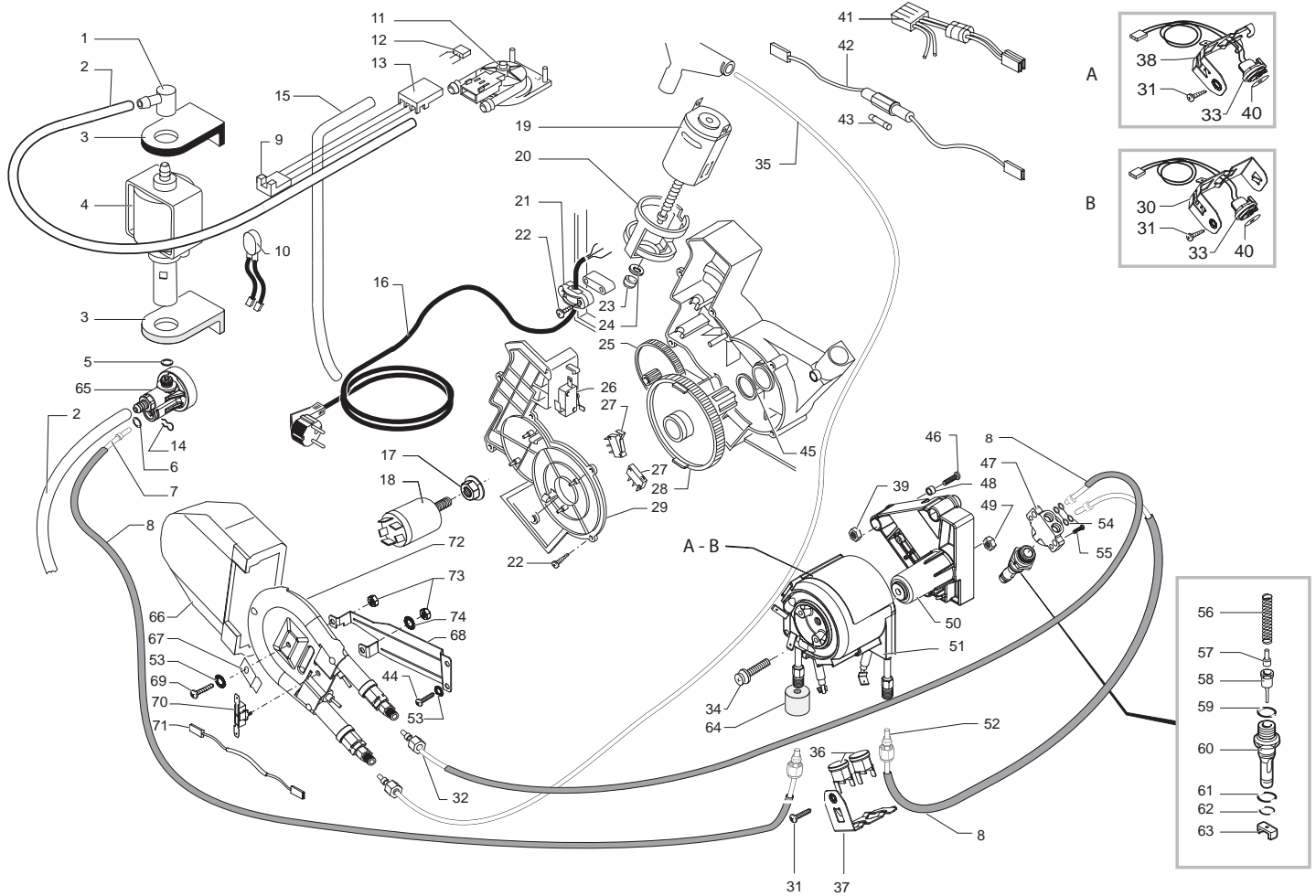
POS	CODICE	DESCRIZIONE	NOTE	POS	CODICE	DESCRIZIONE	NOTE
01	147920150	90°CONNECTOR PUMP INLET		31	129573202	SCREW TCB PH/TT 4X8 UNI 8112 ZNP	
02	149360200	SILICONE TUBE 5X8 70SR IN ROLL		32	227875300	CONNECTOR AS.TEFLON 2X4 L=275 MM	
03	149185850	EATON PUMP SUPPORT MAGIC 4002012		33	288582300	SENSOR ELECT.BOARD WITH CONNECTOR ASSY.	
04	12000140	ULKA PUMP EP5/S GW	230V-50HZ	34	129932202	ROUND HEAD SCREW 10.9 M5X20 GALV	
	12000131	ULKA PUMP EP5/S	120V-60HZ	35	227875600	CONNECTOR AS.TEFLON 2X4 L=420 MM	
05	140321961	OR 2031 IN TERMOIL		36	189428200	THERMOSTAT 175° 1NT-08L-3794	
06	NM02.028	OR 2015 EPDM FDA		37	126838117	2 THERMOSTATS FIXING SPRING	
07	227874900	CONNECTOR AS.TEFLON 2X4 L=250 MM		38	126838217	SENSOR FIXING SPRING	
08	149361200	BLACK SILICON TUBE 7.5X9.3 IN ROLL				FROM S/N. 9004SA40136416	
09	283542200	3 POLES CONNECTORS TURB.M5000 ASSY.		39	U310.003	NUT SELF LOCK.M5 UNI 7473	
10	0311.807	YELLOW HARNESS KLIXON JP 13	230V			UP TO S/N. 9005SA40278596	
	289201000	THERMAL. PROTECT 120 C CABLE.125/3	120V	40	145951600	ELECTRIC INSULATING DISK D=16	
11	286473300	-M-VDE TURBINE WITH SENSOR KIT	WITH PART. N°12	41		PARTICULAR NOT AVAILABLE	SEE PART. N°19
12		PARTICULAR NOT AVAILABLE	SEE PART. N°11	42	183003662	1 STR+ SIL. CABLE BLUE 510 MM	230V
13	9161.018	BRACKET FOR TURBINE			183361062	CABLE 1 WIRE SIL.BLUE AWG18 + FUSE	120V
14	9011.144	FORK FOR TUBE D.4		43	327002200	FUSE T6,3 AMP.5X20 RETARDED	230V
15	JS01.022	SILICONE TUBE 5X10 60 SHORE IN ROLL			184950200	FUSE T15 AMP.DELAYED	120V
16	183910450	POWER CABLE SCHUKO BLACK L=1500		44	129573402	SCREW TAPT M4X10 DIN 7985 GALV	
	183930250	POW.CABLE CH BLACK H05+3FAST.L=1500		45	9161.132	MYLAR WASHER FOR RATOMOTOR	
	183921360	PO.CABLE SJT3C 16AWG USA GREY.5F.L=1700		46	U044.020	SCREW TSP M5.0X30 UNI 7688 GALV.	
	183940250	BLACK POWER CABLE AUSTR.H05+FAST.L=1500				UP TO S/N. 9005SA40278596	
	183922060	POWER CABLE SJT3C USA GREY.5F.L1590			129932502	GALVANIZDE SELF DRILLING SCREW 5X30	
	183980550	POWER CABLE JAPPON VCTF BLACK L=1590 MM				FROM S/N. 9005SA40278597	
	183922050	POWER CABLE SJT3C USA BLAC.5F.L1590		47	147922700	BOILER SUPPORT CONNECTOR	
	183911150	BLACK POWER CABLE SCHUKO 3F.L=1750		48	9161.206	INSULATING SPACER FOR BOILER	
17	123453602	FLANGE NUT M8 TOOTHED BASE GALV.		49	123453902	SELF-LOCKI.NUT M5X0.8 DIN 980 CLA.8	
18	184651100	ANTIDISTURB FILTER 0,47X2+1000Y2+0,5L	230V	50	20000203	SPARES KIT SUPPORT BOILER M5000	
	184651500	ANTIDISTURB FILTER 16A FNC 1610474472A	120V			UP TO S/N. 9005SA40278596	
19	11003037	MOTOR FOR RATOMOTOR ASSY.			149197900	SUPPORT FOR ALLUMINIUM BOILER	
20	9121.044	ANTIVIBRATION FOR MOTOR				FROM S/N. 9005SA40278597	
21	148600600	CABLE CLAMP V0 MAGIC ESP COMBI UL		51	282058858	ALUM.BOILER WITH RESISTANCE	230V-1100W
22	129670202	PANE. TCB SCREW 3,5X16 TESTA D=8 Z			282058855	ALUM.BOILER WITH RESISTANCE	120V-275W
23	9121.046	SINTERED BUSH FOR MOTOR		52	227876800	CONNECTOR TEFLON 2X4 L=235 MM ASSY.	
24	148380200	WASHER BAKELIZZATE D=5,5		53	128310404	WASHER UNI 8842 A4 BURNISHED	
25	9121.042	GEAR Z.12/90		54	140328059	OR 2015 IN SILICONE PTFE/FDA	
26	NE05.042	MICROSWITCH		55	129910103	HI -LO TC SCREW 3,5X15 RIF.910189	
27	NE05.038	MICROSWITCH		56	9011.132	SPRING FOR PIN	
28	9121.068.150	GEAR Z=108 FOR MOUNTING PLATE M5000		57	11009013	TEA/BRASS PIN FOR PISTON L=10	
29	9161.200.920	TRANSPARENT LID FOR RATOMOTOR M5000		58	11009019	TEA/BRASS PISTON L=20,9 ASSY.	
30	126838017	SENSOR FIXING SPRING		59	140320459	OR METRICO 0080-20 SILICON.PTFE/FDA	
		UP TO S/N. 9004SA40136415		60	9011.100	PEG FOR VALVE IN PLASTIC	

Saeco SUP 018 CDR
INTERNATIONAL GROUP

ALUM. BOILER WITH RESIST.
FROM S/N. 9004SA40016420

Rev. 02 - 07/05/10

TAVOLA 3a/4



Saeco SUP 018 CDR
INTERNATIONAL GROUP

ALUM. BOILER WITH RESIST.
FROM S/N. 9004SA40016420



Cod. 741442-47-56-67

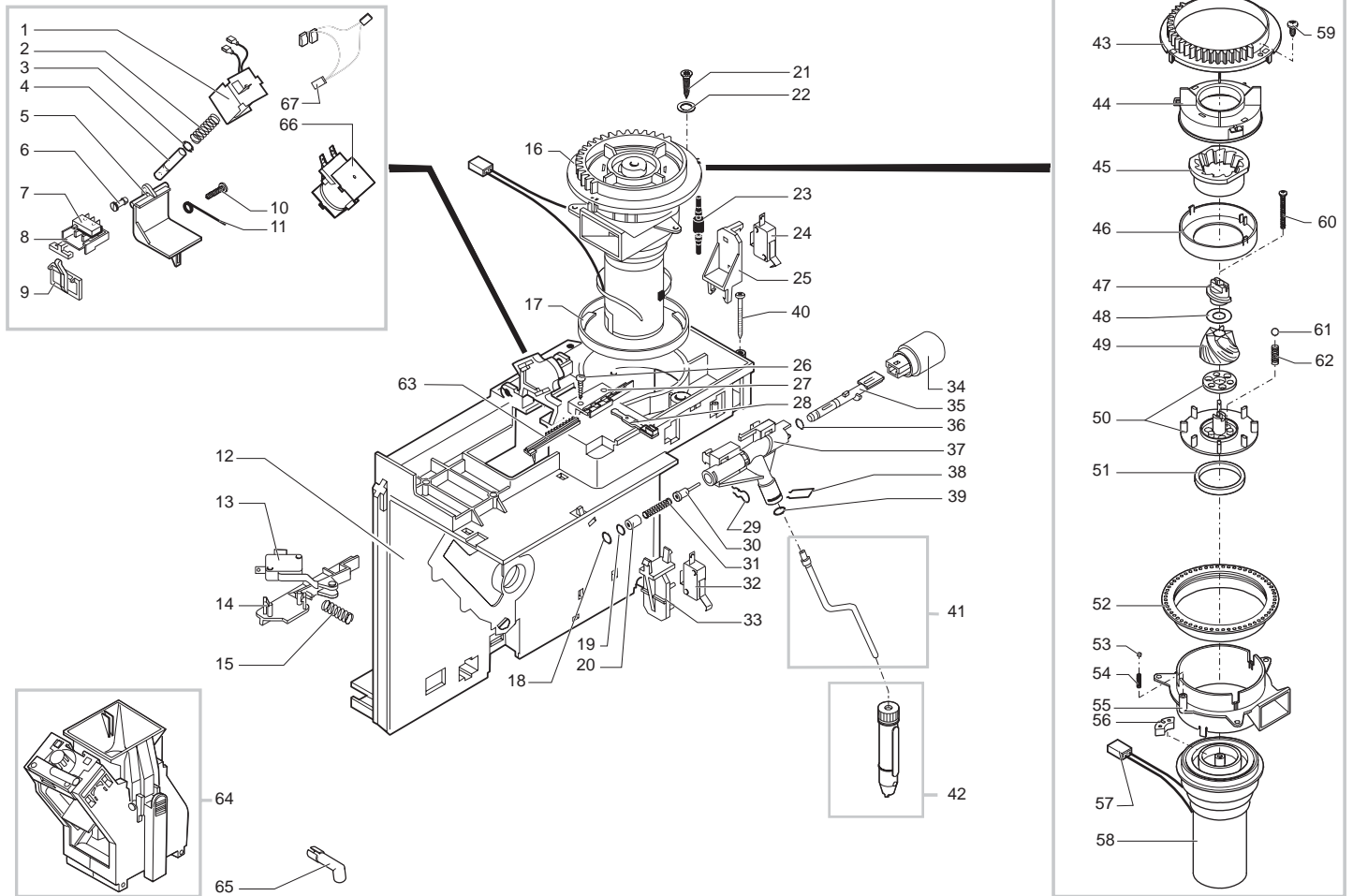
POS	CODICE	DESCRIZIONE	NOTE	POS	CODICE	DESCRIZIONE	NOTE
61	NM01.035	OR ORM 0090-20 SILICONE					
62	NM01.057	OR ORM 0050-20 SILICONE					
63	9011.099	M CURSOR FOR BOILER VALVE IN PLASTIC					
64	147756562	PROTECTION FOR FOLK SPRING TUBE D=4					
65	229452100	COMPENSATION AND SAFETY VALVE 16BAR ASSY					
66	147755100	HEAT.ELEMENT PROT.BLECKMANN M5000					
67	127535319	THERMAL FUSE FIXING PLATE					
68	129024802	GALV.BRACKET BOILER M5000 SUPPORT					
69	129823802	TCB SCREW M4X8 UNI 7687 ZNP					
70	189428300	THERMOSTAT 175° INTERCONTR.161471002					
71	183440800	CABLE 1 WIRE SILIC.BLACK THERM/FUSE 229°					
72	288140458	HEATING-ELEMENT BLECKMAN ASSY.	230V-1000W				
	288140455	HEATING-ELEMENT BLECKMAN ASSY.	120V-1000W				
73	U302.003	NUT HEXAGONAL M4 UNI 5588					
74	128420102	ELASTIC WASHER UNI 1751 B4 GALV					
	289434800	GEN.TURB.AS.W/O FILTER UNIFIED M5000					
	282135358	ALUM.BOILER 230V AS.WITH RESISTANCE					
	282135355	ALUM.BOILER 120V AS.WITH RESISTANCE					

Saeco SUP 018 CDR
INTERNATIONAL GROUP

ALUM. BOILER WITH RESIST.
FROM S/N. 9004SA40016420

Rev. 02 - 07/05/10

TAVOLA 3b/4



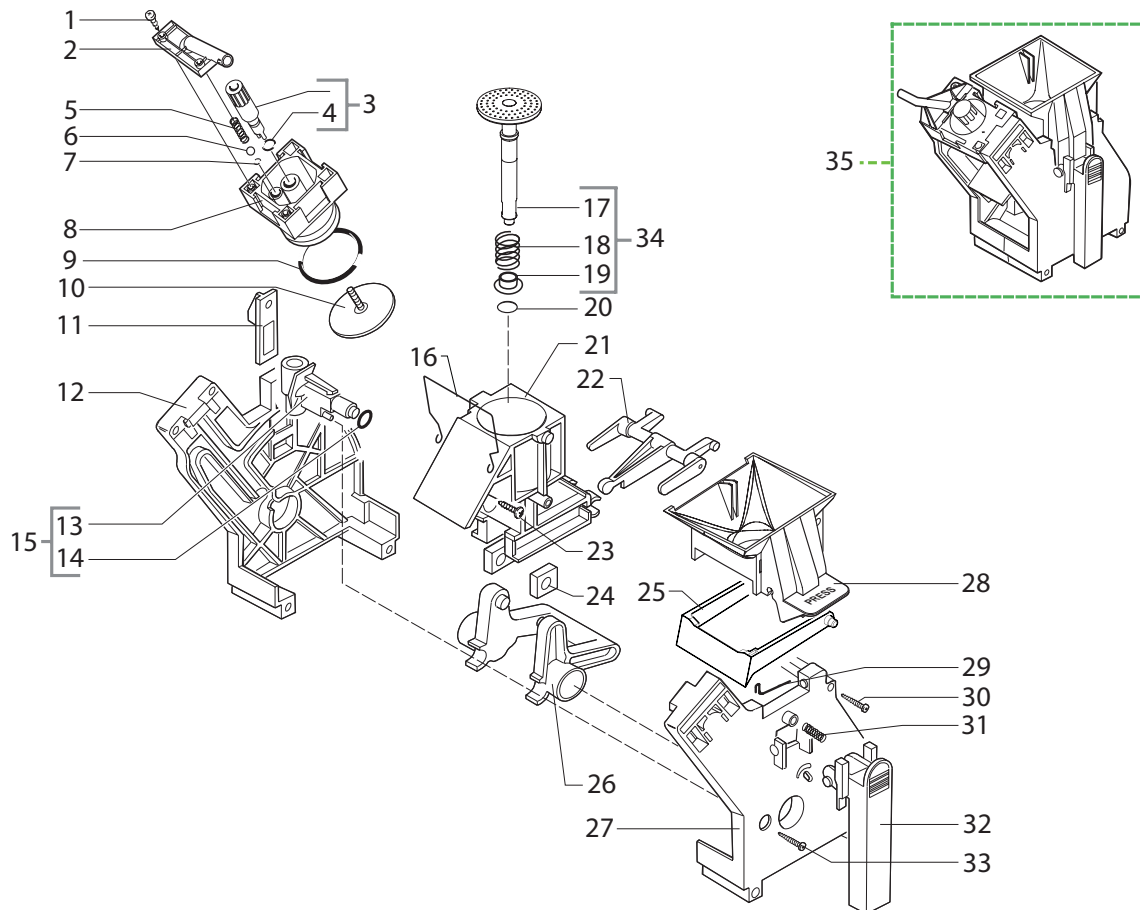
Saeco SUP 018 CDR
INTERNATIONAL GROUP

Cod. 741442-47-56-67

POS	CODICE	DESCRIZIONE	NOTE
01	9129.A07.00A	COFFEE DOSER COIL ASS. FROM S/N. 20024065687	230V
	283770755	V2 COFFEE DOSER COIL ASS.	120V
02	126764818	SPRING ELECTROM.BEAN DOSER MAGIC	
03	U701.003	SNAP RING 7 UNI 7434	
04	9161.041	DOSER ELECTROMAGNET CORE	
05	9161.074.150	DOSER DOOR GREY	
06	9161.076.150	DOSER DOOR PIN GREY	
07	NE05.017	MICROSWITCH	
08	149185959	BEAN DOSER MICRO SUPORT MAGIC	
09	148700559	COFFEE DOSER DOSE ADJ. SEL. GR MAG	
10	U140.004	PANELVIT TCB 3,0X12 DIN 7505 B GAL	
11	9161.048	SCRAPER ROD	
12	9161.249.150	MOUNTING PLATE ASSEMBL.GREY	
13	186724100	MICROSWITCH SAIA X3M302K2KAM92AU	
14	9161.202.150	COMPENSATOR FOR GROUNDS MICRO	
15	9161.221	SPRING GROUND.MICROSUPP.COMPENSA	
16	286883758	GENER.MOTOR AS. M5000 (STD/V2)	230V
	286883755	GENER.MOTOR AS. M5000 (STD/V2)	120V
17	9141.052	COFFEEGRINDER REINFORCING RING	
18	140328161	OR D=3,85 X 1,90 IN EPDM	
19	NM02.028	OR 2015 EPDM FDA	
20	11009011	TEA/BRASS BUSH FOR FAUCET	
21	129670202	PANE. TCB SCREW 3,5X16 TESTA D=8 Z	
22	U207.004	PLAIN WASHER 4,3X16 UNI 6592 GAL	
23	9991.103	ANTIVIBRATION FOR COFFEEGRINDER	
24	NE05.043	MICROSWITCH	
25	9161.207.150	SUPPORT FOR FAUCET MICRO	
26	129660902	PANELVIT TCB SCREW 3,5X12 D.7505 Z	
27	147571850	BLACK LEVER FIXING PLATE + DOSE ADJUSTM.	
28	9161.112.150	LEVEL FLOAT GREY	
29	9011.144	FORK FOR TUBE D.4	
30	11009019	TEA/BRASS PISTON L=20,9 ASSY.	
31	126765317	STEEL SPRING BOIL. PISTON MAG.9011	
32	186723600	MICROSWITCH SAIA X3M502K2KAM92AS	
33	9161.208.150	SUPPORT FOR DOOR MICRO	
34	227720953	STEAM KNOB M5000 MET BLACK S/SCREE	
35	9161.205	STEAM TAP SHAFT	
36	140328561	OR D=4,18 X 1,90 IN TERMOIL	
37	9161.204.G	STEAM FAUCET	
38	126764018	SPRING D=1STEAM TUBE HOLDER JUN.	

POS	CODICE	DESCRIZIONE	NOTE
39	140324461	OR METRIC 0060-20 IN TERMOIL	
40	129661502	SCREW PANELVIT TCB 3X38 DIN 7505 ZN	
41	229380908	CHROMED STEAM TUBE AS.L=125,88 S5000	
42	147430150	PANNARELLO AS. BLACK PLASTIC	
43	148650250	SECTOR GEARGRIND ADJUSTMENT KNOB COMBI	
44	149186150	BLACK UPPER GRINDER SUPPORT MAGIC	
45		PARTICULAR NOT AVAILABLE	SEE PART. N°49
46	142844550	UPPER GRINDER COVER COFFEE GRIND. MAGIC	
47	147470763	INCREASE SCREW PIN COFFEE GRINDER MAGIC	
48	U201.002	PLAIN WASHER 10X16X0,2DIN 988 GAL	
49	226473500	KIT TECNCA GRINDERS	WITH PART. N°45
50	149188750	CONICAL GRIND. SUPP. + RING MAGIC	
51	140360200	FELT RING 40X34X5	
52	146570950	RING NUT FOR GRINDING ADJUSTMENT MAGIC	
53	128610421	STAIL.STEEL AISI 304 SPHERE D=3,2MM	
54	126770117	NEW SPRING SPHERE D=3,2 MOTOR MAGIC	
55	149186350	GRINDER MOTOR SUP.BLACK MAGIC	
56	140230400	SHOCK ABS .CONICAL GRINDER SUPP.MAGIC	
57	283544900	2POLES CONN.AS.COF GRIN JP1 33MH CA	230V
	283542600	2 P.CONN.AS. COFF.GRINDJP1 CA	120V
58	286851858	MOTOR AS. NEW MAGIC DE LUXE	230V
	286851855	MOTOR AS. NEW MAGIC DE LUXE	120V
59	129511803	SCREW TCB 2,9X6,4 DIN 7981 NICK	
60	129931002	TORX SCREW T10 TCB 3,5X40 SX ZNG	
61	128610521	STAIL.STEEL AISI 304 SPHERE D=5,5MM	
62	126765517	STEEL SPRING SPHERE D=5,5 MOTOR MAGIC	
63	148740450	TOOTHED SLIDE FOR DOSE ADJUST GEAR	
64	11004181	BLACK BREW UNIT NEW M5000	
		SEE EXPL. COD .E90050 NEXT PAGES	
		NOTE: FOR SINGLE PART. OF THE OLD GROUP	
		COFFEE' GREY	
		SEE EXPL. COD. E90026 NEXT PAGES	
65	11006983	BLACK SLEEVE FOR COFFEE DISPENSER M5000	
66	9129.A23.00A	WHOLE COIL M5000/S5000 230V	
		FROM S/N. 20024065688	
67	289202800	THERMAL PROTECTOR 100°C CAB.145/280	
		FROM S/N. 20024065688	

Saeco SUP 018 CDR
INTERNATIONAL GROUP



Saeco® SUP 018



Cod. 11004181

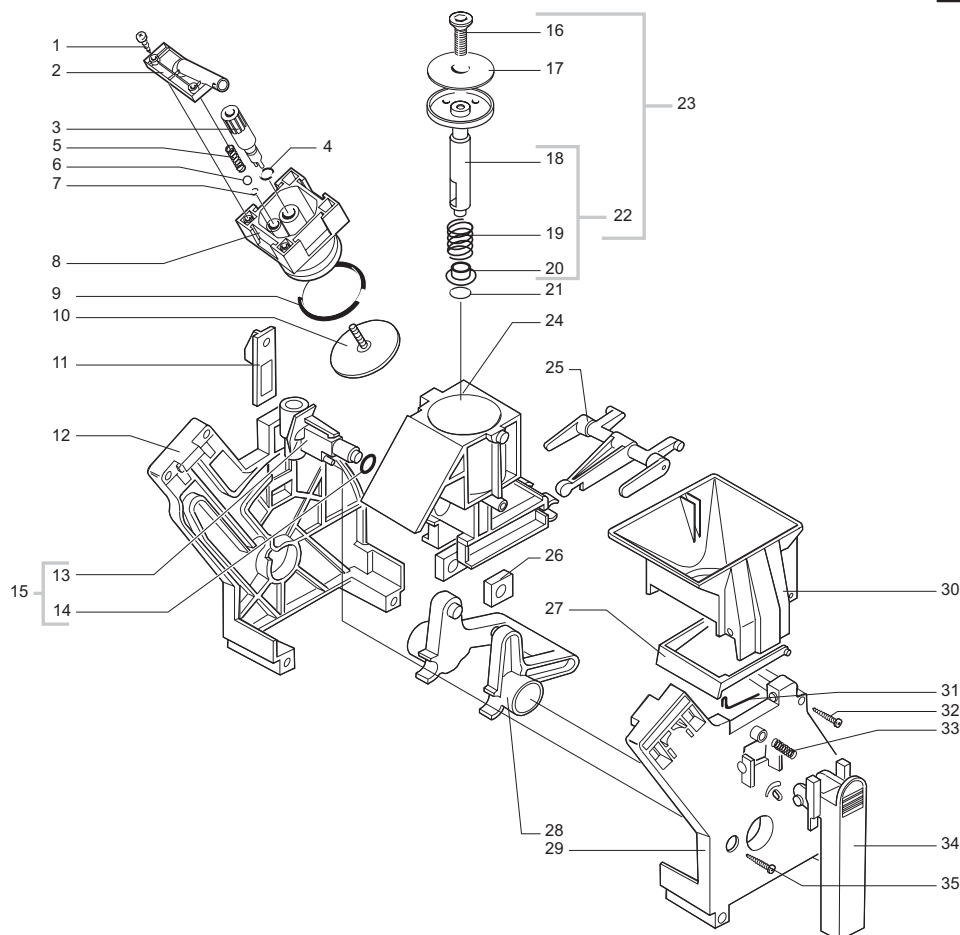
POS	CODICE	DESCRIZIONE	NOTE	POS	CODE	DESCRIPTION	NOTE
01	U140.019	PANELVIT TCB 3,0X16 DIN 7505 B INOX		01	U140.019	PANELVIT TCB 3,0X16 DIN 7505 B SS	
02	11003790	MANICOTTO USCITA CAF.GRUPPO M5000 NERO		02	11003790	BLACK COFFEE OUTLET SLEEVE	
03	227470150	AS.PERNO X DOCCIA COMPLETO NERO		03	227470150	PIN BLACK ASS.FOR PERCOLATOR	
04	NM02.006	OR R5 TERMOIL		04	NM02.006	OR R5 TERMOIL	
05	9161.222	MOLLA CONICA		05	9161.222	CONICAL SPRING	
06	9991.168	SFERA IN VETRO D.5 MM		06	9991.168	GLASS SPHERE D.5MM	
07	NM02.013	OR ORM 0080-15 TERMOIL		07	NM02.013	OR ORM 0080-15 TERMOIL	
08	11003796	CONTROPISTONE X GRUPPO CAFFE' NERO		08	11003796	BLACK COUNTERPISTON FOR COFFEE UNIT	
09	NM01.044	OR ORM 0320-40 SILICONE PTFE/FDA		09	NM01.044	OR ORM 0320-40 SILICONE PTFE/FDA	
10	9160.075	AS.DOCCIA DE=35,8 ELFO CVITE E DADO		10	9160.075	PERCOLATOR DE=35,8 ELFO ASSY.	
11	11004114	PIASTRINA X AGGANCIO GRUPPO CAFFE' NERO		11	11004114	BLACK PLATE FOR UNIT COUPLING	
12	11003792	PIASTRA POSTERIORE GRUPPO CAFFE' NERO		12	11003792	BLACK REAR PLATE FOR UNIT	
13	9161.064.050	MANICOTTO ENTRATA ACQUA NERO		13	9161.064.050	WATER INLET SLEEVE BLACK	
14	NM02.007	OR 2025 IN TERMOIL		14	NM02.007	OR 2025 IN TERMOIL	
15	20000440	GRUPPO RICAMBIO MANICOTTO NERO		15	20000440	BLACK SPARE SLEEVE UNIT	
16	11001556	MOLLA RASATORE H=49 X GRUPPO CAF.SMART		16	11001556	SPRING H=49 FOR COFFEE BREW UNIT SMART	
17	11003077	AS.PISTONE INTEGRALE GRUP.P124 8GR.NERO		17	11003077	BLACK INTEGRAL PISTON UNIT P124 8GR.ASS	
18	9161.198	MOLLA X PISTONE		18	9161.198	SPRING FOR PISTON	
19	9161.191	BOCCOLA X PISTONE NEUTRO		19	9161.191	BUSH FOR PISTON NEUTRAL	
20	NM02.018	OR METRICO 0090-25 IN TERMOIL		20	NM02.018	OR ORM 0090-25 TERMOIL	
21	11003075	AS.CONT.CAF.C/BOCC.SALD.GRUPP124 8G.NER	CON PART. N°20	21	11003075	COFF.CONT.WITH BEAR FOR BREW UNIT P124	WITH PART. N°20
22	11003078	BIELLA X GRUPPO P124 8GR.NERA		22	11003078	BLACK CONNECTING ROD FOR UNIT P124 8GR.	
23	129912521	VITE TCBR 3,5X14 PLAST.INOX		23	129912521	SCREW TCBR TORX 10 3,5X14 PLAST.SS	
24	9161.094.050	BLOCCHETTO FORATO X GRUPPO NERO		24	9161.094.050	DRILLED BLACK BLOCK FOR UNIT	
25	11004161	RASATORE X GRUPPO CAFFE' NERO		25	11004161	BLACK SCRAPER FOR COFFEE UNIT	
26	9161.066.050	ALBERO A GOMITO X GRUPPO NERO		26	9161.066.050	ELBOW SHAFT FOR UNIT BLACK	
27	11003793	PIASTRA ANTERIORE GRUPPO CAFFE' NERO		27	11003793	BLACK FRONT PLATE FOR UNIT	
28	11003795	TRAMOGGIA X GRUPPO CAFF.NERA SER.PRESS		28	11003795	BLACK HOPPER FOR PRESS UNIT	
29	9161.046	MOLLA X RASATORE GRUPPO		29	9161.046	SPRING FOR UNIT SCRAPER	
30	12000897	VITE TCB 3,5X20 PLAST.INOX		30	12000897	SCREW TCB TORX 10 3,5X20 PLAST.SS	
31	9161.045	MOLLA X IMPUGNATURA GRUPPO		31	9161.045	SPRING FOR UNIT HANDGRIP	
32	11003791	IMPUGNATURA X GRUPPO CAFFE' NERA		32	11003791	BLACK HANDGRIP FOR COFFEE UNIT	
33	12000550	VITE TCB 3X25 PLAST.INOX		33	12000550	SCREW TCB TORX 10 3X25 PLAST.SS	
34	11023086	AS.GEN.PISTONE INTEGR.GRUP.CAF.8GR.NER.		34	11023086	BLK 8GR.BREW UNIT NTEGR.PISTON GEN.ASSY.	
35	11004181	GRUPPO CAFFE' M5000 NEW NERO		35	11004181	BLACK BREW UNIT NEW M5000	

Saeco®

GRUPPO CAFFE' M5000 NEW NERO

Rev. 03 - 23/11/09

TAVOLA 1/1



**GRUPPO CAFFE' M5000
X C.A. NON SAECO (CON FORO) GRIGIO**



Cod. 225800559

POS	CODICE	DESCRIZIONE	NOTE	POS	CODE	DESCRIPTION	NOTE
01	U140.019	PANELVIT TCB 3,0X16 DIN 7505 B INOX		001	U140.019	PANELVIT TCB 3,0X16 DIN 7505 B SS	
02	0311.024.150	MANICOTTO USCITA CAF.GRUPPO M5000 GRIGIO		02	0311.024.150	GREY COFFEE OUTLET SLEEVE	
03	227470159	AS.PERNO X DOCCIA COMPLETO GRIGIO		03	227470159	PIN GREY ASS.FOR PERCOLATOR	
04	NM02.006	OR R5 TERMOIL		04	NM02.006	OR R5 TERMOIL	
05	9161.222	MOLLA CONICA		05	9161.222	CONICAL SPRING	
06	9991.168	SFERA IN VETRO D.5 MM		06	9991.168	GLASS SPHERE D.5MM	
07	NM02.013	OR ORM 0080-15 TERMOIL		07	NM02.013	OR ORM 0080-15 TERMOIL	
08	9161.193.150	CONTROPISTONE X GRUPPO CAFFE' GRIGIO		08	9161.193.150	GREY COUNTERPISTON FOR COFFEE UNIT	
09	NM01.044	OR ORM 0320-40 SILICONE PTFE/FDA		09	NM01.044	OR ORM 0320-40 SILICONE PTFE/FDA	
10	223740300	AS.DOCCIA DE=35,8 C/VITE E DADO		10	223740300	PERCOLATOR DE=35,8 ASSY.	
11	147572550	PIASTRINA X AGGANCIO GRUPPO CAFFE' NERO		11	147572550	BLACK PLATE FOR UNIT COFFE.COUPLING	
12	9161.070.150	PIASTRA POSTERIORE GRUPPO CAFFE' GRIGIO		12	9161.070.150	GREY REAR PLATE FOR UNIT	
13	9161.064.150	MANICOTTO ENTRATA ACQUA GRIGIO		13	9161.064.150	WATER INLET SLEEVE GREY	
14	NM02.007	OR 2025 TERMOIL		14	NM02.007	OR 2025 TERMOIL	
15	0301.R04.150	GRUPPO RICAMBIO MANICOTTO GRIGIO		15	0301.R04.150	SPARE SLEEVE UNIT GREY	
16	129852821	VITE TSP M3X14 UNI 7688 INOX		16	129852821	TSP SCREW M3X14 UNI 7688 SS	
17	9161.167	DOCCIA D.35,8		17	9161.167	PERCOLATOR D.35,8	
18	9161.211.050	PISTONE NUOVO NERO CON INSERTO		18	9161.211.050	NEW PISTON WITH INSERT BLACK	
19	9161.198	MOLLA X PISTONE		19	9161.198	SPRING FOR PISTON	
20	9161.191	BOCCOLA X PISTONE NEUTRO		20	9161.191	BUSH FOR PISTON NEUTRAL	
21	NM02.018	OR METRICO 0090-25 IN TERMOIL		21	NM02.018	OR ORM 0090-25 TERMOIL	
22	9161.210.050	PISTONE COMPLETO NERO X GRUPPO		22	9161.210.050	COMPLETE PISTON FOR UNIT GREY	
23	0301.R16.050	GRUPPO RICAMBIO PISTONE NUOVO NERO		23	0301.R16.050	SPARE PISTON UNIT NEW BLACK	
24	9161.195.150	CONTENITORE COMPL.X GRUPPO GRIGIO		24	9161.195.150	COMPLETE CONTAINER FOR UNIT GREY	
25	9161.065.150	BIELLA X GRUPPO GRIGIO		25	9161.065.150	CONNECTING ROD FOR UNIT GREY	
26	9161.094.050	BLOCCETTO FORATO X GRUPPO NERO		26	9161.094.050	DRILLED BLACK BLOCK FOR UNIT	
27	9161.060.150	RASATORE X GRUPPO CAFFE' GRIGIO		27	9161.060.150	GREY SCRAPER FOR COFFEE UNIT	
28	9161.066.150	ALBERO A GOMITO X GRUPPO GRIGIO		28	9161.066.150	ELBOW SHAFT FOR UNIT GREY	
29	9161.071.150	PIASTRA ANTERIORE GRUPPO CAFFE' GRIGIO		29	9161.071.150	GREY FRONT PLATE FOR UNIT	
30	9161.123.150	TRAMOGGIA X GRUPPO CAFF.GRIGIA SER.PRES.		30	9161.123.150	GREY HOPPER FOR PRESS UNIT	
31	9161.046	MOLLA X RASATORE GRUPPO		31	9161.046	SPRING FOR UNIT SCRAPER	
32	U109.026	VITE AUT.TCB 3,5X19 DIN 7981 C INOX		32	U109.026	SS.SCREW AUT.TCB 3,5X19 DIN 7981 C	
33	9161.045	MOLLA X IMPUGNATURA GRUPPO		33	9161.045	SPRING FOR UNIT HANDGRIP	
34	9161.069.150	IMPUGNATURA X GRUPPO CAFFE' GRIGIO		34	9161.069.150	GREY HANDGRIP FOR COFFEE UNIT	
35	U109.027	VITE AUT.TCB 2,9X19 DIN 7981 C INOX		35	U109.027	SS.SCREW AUT.TCB 2,9X19 DIN 7981 C	

**GRUPPO CAFFE' M5000
X C.A. NON SAECO (CON FORO) GRIGIO**

Rev. 03 - 17/01/07

TAVOLA 1/1