

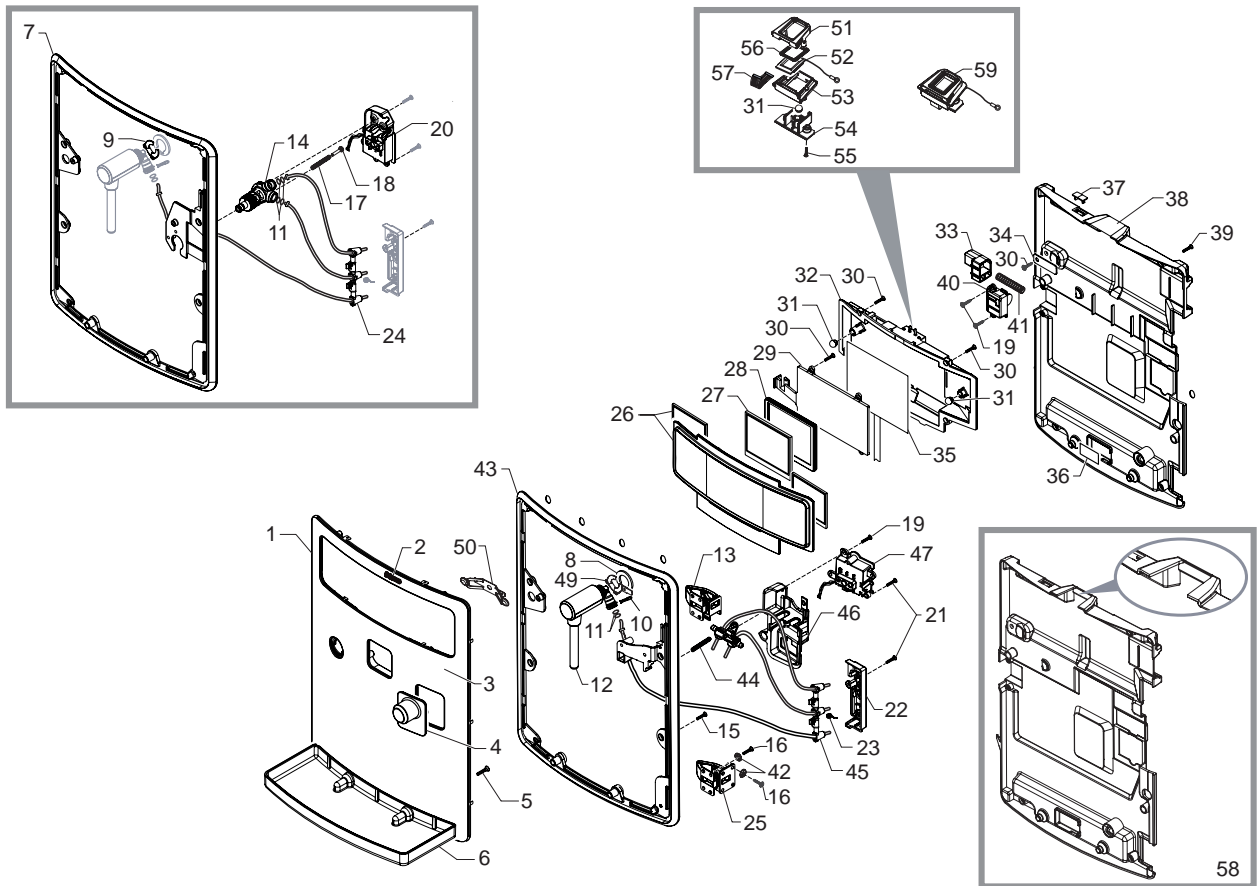
**Saeco** SUP038 - SUP038Z  
INTERNATIONAL GROUP



Cod.10003050-51-52-53-3250-51-52  
Cod.10003278-79-3314-3450-70-71

| POS | CODE      | DESCRIPTION  | NOTE |
|-----|-----------|--|------|
| 01  | 15002162  | MANUAL SAE V2 SUP038 MYB9/H D/I  |      |
|     | 15002163  | MANUAL SAE V2 SUP038 MYB9/H GB/F   |      |
|     | 15002164  | MANUAL SAE V2 SUP038 MYB9/H E/P  |      |
|     | 15002165  | MANUAL SAE V2 SUP038 MYB9/H NL/PL  |      |
|     | 15002166  | MANUAL SAE V2 SUP038 MYB9/H CHN  |      |
|     | 15001810  | MANUAL SAE SUP038Z MYB9/T D/I  | ID   |
|     | 15001811  | MANUAL SAE SUP038Z MYB9/T GB/F   | ID   |
|     | 15001812  | MANUAL SAE SUP038Z MYB9/T E/P  | ID   |
|     | 15001813  | MANUAL SAE SUP038Z MYB9/T NL/PL  | ID   |
| 02  | 146680850 | BLACK COFFEE MEASURE SMART   |      |
| 03  | 127390100 | BRUSH FOR CLEANING   |      |
| 04  | 11005044  | SAECO KLUBER TRIBOSTAR SIL 2 TUBE 5GR.   |      |
| 05  | 21001404  | ACC SAE BRITA WATER FILTER 1 UNIT EUR-ASIA   |      |
|     | 21001120  | ACC SAE BRITA WATER FILTER 1 UNIT AMERICA  |      |
| 06  | 0301.961  | STICKER FOR WATER HARDNESS TEST  |      |
| 07  | 183911050 | BLACK POWER CABLE SCHUKO L=1200  |      |
|     | 183930650 | PO.CABL.CH BLACK 3X1 H05VV-F L=1200  |      |
|     | 183921950 | POWER CABLE SJT3 USA BLACK UL L=1200   |      |
|     | 183940650 | BLACK POWER CABLE AUSTRALIA L=1200   |      |
|     | 11001985  | BLACK POWER CABLE KOREA 3X1 L=1200   |      |
|     | 11004246  | BLACK POWER CABLE TAIWAN HVCTF L=1200  |      |
|     | 11004247  | BLACK POWER CABLE RWV 3X1 CHINA L=1200   |      |
|     | 17800024  | BLACK POWER CABLE JAPPON VCTF L=1200   |      |
| 08  | 13001097  | BAND FOR LIFTING L=1800 H=300 MM MYB9  |      |
| 09  | 13000922  | PS-E RIGHT INSERT FOR BOX MYB9/H-P   |      |
| 10  | 13000921  | PS-E LEFT INSERT FOR BOX MYB9/H-P  |      |
| 11  | 13000920  | DISPLAY BOX MYB9/H SAECO XELSIS SS   |      |
|     | 13001110  | DISPLAY BOX MYB9/H SAECO XELSIS CLASS  |      |
|     | 13001112  | DISPLAY BOX MYB9/T SAE XELSIS ID SS  | ID   |
| 12  | 12000450  | SCREW TCBR TORX 10 3,5X12 PLAST.ZN-N   |      |
| 13  | 11013210  | SB/SS GROUND CONT.DOOR COVER MYB9 AS.  |      |
|     | 11023203  | SM/SS GROUND CONT.DOOR COVER S/SS MYB9 ASSY  | ID   |
| 14  | 11013148  | SB/SS WATER CONT.DOOR COVER MYB9 AS.   |      |
|     | 11013284  | BLACK WATER CONT.DOOR COVER MYB9 AS.   |      |
|     | 11013302  | WHITE WATER CONT.DOOR COVER MYB9 AS.   |      |
|     | 11023196  | SM/SS WATER CONTAIN.DOOR COVER MYB9 ASSY   | ID   |
| 15  | 11013167  | SB/SS LEFT SIDE PANEL MYB9/T-H ASSY.   |      |
|     | 11013272  | BLACK LEFT SIDE PANEL MYB9/T-H ASSY.   |      |
|     | 11013295  | WHITE LEFT SIDE PANEL MYB9/T-H ASSY.   |      |
|     | 11023192  | SM/SS LEFT SIDE PANEL MYB9/T-H ASSY.   | ID   |
| 16  | 11022426  | SS SPRING FOR WATER CONT. LEVER MYB9   |      |
| 17  | 12001263  | BLACK PUSH-PUSH MYB90  |      |
| 18  | 11022425  | YELLOW LEVER FOR WATER CONT.S/SC.MYB9  |      |
| 19  | 11012859  | SB/SS CUP WARMING LID MYB9   |      |
|     | 17000071  | UP TO S/N. 9010SA40026758<br>SB/SS CUP WARMING LID MYB9 ASSY.<br>FROM S/N.9010SA40026759 |      |

| POS | CODE          | DESCRIPTION                               | NOTE              |
|-----|---------------|---|-------------------|
| 19  | 11004244      | SM/SS CUP WARMING LID MYB9 ASSY.          | ID                |
| 20  | 11013149      | SB/SS BEAN CONTAIN.DOOR COVER MYB9 AS.    |                   |
|     | 11013287      | BLACK BEAN CONT.DOOR COVER MYB9 AS.       |                   |
|     | 11013304      | WHITE BEAN CONT.DOOR COVER MYB9 AS.       |                   |
|     | 11023198      | SM/SS BEAN CONTAIN.DOOR COVER MYB9 ASSY.  | ID                |
| 21  | 12001330      | TRANSPAR.ROUND ADHESIVE FOOT SJ-5382      |                   |
| 22  | 11022809      | SB/SS REAR COVER CASING INS.MYB9 ASSY.    |                   |
|     | 11022821      | BLACK REAR COVER CASING INS.MYB9 ASSY.    |                   |
|     | 11022820      | WHITE REAR COVER CASING INS.MYB9 ASSY.    |                   |
|     | 11023105      | SM/SS REAR COVER CASING INSERT MYB9 ASSY. | ID                |
| 23  | 17000205      | BLACK COVER CASING W/PROTECT.V2 MYB9/T-H  |                   |
| 24  | 11000651      | WATER LEVEL SENSOR BOARD P124             |                   |
| 25  | 11014017      | BLACK HORIZONTAL MOUNT. PLATE MYB9 AS     |                   |
| 26  | 11012018      | PWR BOARD MYB9                            | 230V<br>100V-120V |
|     | 11021342      | PWR BOARD MYB9                            |                   |
| 27  | 11012035      | BLACK PWR BOARD COVER MYB9                |                   |
| 28  | 11013065      | BLACK REAR PANEL WHIT LOGO SAECO MYB9     |                   |
| 29  | 11023304      | INSULATE SHEET PWR ELECT.BOARD MYB9       | (ONLY FOR 120V)   |
| 30  | 11013166      | SB/SS RIGHT SIDE PANEL MYB9/T-H ASSY.     |                   |
|     | 11013259      | BLACK RIGHT SIDE PANEL MYB9/T-H ASSY.     |                   |
|     | 11013293      | WHITE RIGHT SIDE PANEL MYB9/T-H ASSY.     |                   |
|     | 11023191      | SM/SS RIGHT SIDE PANEL MYB9/T-H ASSY.     | ID                |
| 31  | 11022805      | SB/SS FRONT COVER CASING INS.MYB9/H AS.   |                   |
|     | 11022807      | BLACK FRONT COVER CASING INS.MYB9/H AS.   |                   |
|     | 11022806      | WHITE FRONT COVER CASING INS.MYB9/H AS.   |                   |
| 32  | 11013170      | BLACK STEEL CASING MYB9 ASSY.             |                   |
| 33  | 11021769      | BLACK RIGID FOOT FIXING PIN MYB9          |                   |
| 34  | 11021829      | BLACK/WHITE RIGID FOOT MYB9               |                   |
| 35  | 11022527      | BLACK DUMP BOX PROTECTION MYB9            |                   |
| 36  | 11013595      | BLACK DUMP BOX MYB9 ASSY.                 |                   |
| 37  | 11022169      | BLK DRIP TRAY COFF.BREW UNIT COVER MYB9   |                   |
| 38  | 11012777      | BLACK DRIP TRAY COFFEE BREW UNIT MYB9     |                   |
| 39  | 11013128      | 40POLES FLAT CABLE BOARDS LINK MYB9 UL    |                   |
| 40  | 11013806      | BLACK FLAT-CABLE COVER MYB9               |                   |
| 41  | WGA4316031000 | ADESIVE HEATING-ELEMENT                   | 230V<br>100V-120V |
|     | 11000791      | ADESIVE HEATING-ELEMENT                   |                   |
| 42  | 11008844      | 2POLES CONN.SUPPLY CUPWARMING G0053UL     |                   |
| 43  | 17000007      | INSULATE SHEET COMPONENTS SUPPORT         | (ONLY FOR 120V)   |
| 44  | 13001231      | PS-E INSERT FOR BOX MYB9                  | (ONLY XELSIS)     |
| 45  | 11022804      | SM/SS FRONT COVER CASING INS.MYB9/T ASSY  | ID                |



**Saeco** SUP038 - SUP038Z  
INTERNATIONAL GROUP



Cod.10003050-51-52-53-3250-51-52  
Cod.10003278-79-3314-3450-70-71

| POS | CODE      | DESCRIPTION  | NOTE |
|-----|-----------|--|------|
| 01  | 11022728  | SB/SS FRONTAL PANEL MYB9 ASSY.<br><b>UP TO S/N.9009SA40298916</b>            |      |
|     | 11023318  | SB/SS FRONTAL PANEL V2 MYB9 ASSY.<br><b>FROM S/N.9009SA40298917</b>          |      |
|     | 11013277  | BLACK FRONT PANEL N/S/SCREEN MYB9 ASSY.<br><b>UP TO S/N.9009SA40298916</b>   |      |
|     | 11023522  | BLACK FRONTAL PANEL V2 S/SCREEN MYB9 ASSY.<br><b>FROM S/N.9009SA40298917</b> |      |
|     | 11013298  | WHITE FRONT PANEL N/S/SCREEN MYB9 ASSY.<br><b>UP TO S/N.9009SA40298916</b>   |      |
|     | 11023523  | WHITE FRONTAL PANEL V2 S/SCREEN MYB9 ASSY.<br><b>FROM S/N.9009SA40298917</b> |      |
|     | 11023319  | SM/SS FRONTAL PANEL V2 MYB9 ASSY.  | ID   |
| 02  | 11011406  | ADHES.SILVER PLATE LOGO SAECO P0057  |      |
| 03  | 11022725  | ADHES.SILVER PLATE LOGO XELSIS   |      |
| 04  | 11021449  | CHROM.CONNECTCAP FOR CARAFE MYB9 ASSY.<br><b>UP TO S/N.9009SA40298916</b>    |      |
|     | 11024247  | CHROMED CONN.CAP FOR CARAFE V2 MYB9 ASSY.<br><b>FROM S/N.9009SA40298917</b>  |      |
| 05  | 12001369  | SCREW TSP TORX 10 5X35 PLAST.SS  |      |
| 06  | 11012831  | BLACK DRIP TRAY SUPPORT MYB9/H-P   |      |
|     | 11022386  | BLACK DRIP TRAY SUPPORT MYB9/T   | ID   |
| 07  | 11013143  | CHROMED ZAMA FRONT FRAME MYB9<br><b>UP TO S/N.9009SA40298916</b>             |      |
| 08  | 11001624  | STEAM TUBE WASHER P0049  |      |
| 09  | NF11.084  | FOLK SPRING<br><b>UP TO S/N.9010SA40036480</b>                               |      |
| 10  | 9011.144  | SS FORK FOR TUBE D.4   |      |
| 11  | 140328059 | OR 2015 IN SILICONE PTFE/FDA<br><b>UP TO S/N.9009SA40298916</b>              |      |
| 12  | 11013244  | TF/CHROM.STEAM TUBE MYB9 ASSY.   |      |
| 13  | 11013215  | DOOR UPPER HINGE MYB9  |      |
| 14  | 11022860  | BLACK CONNECTOR V2 FOR CARAFE MYB9<br><b>UP TO S/N.9009SA40298916</b>        |      |
| 15  | 12001430  | SCREW TCB TORX 20 4X10 PLAST.SS  |      |
| 16  | 129573221 | SCREW TCB PH/TT 4X8 UNI 8112 SS  |      |
| 17  | 11022870  | STEEL SPRING FOR CARAFE CONNECT. MYB9<br><b>UP TO S/N.9009SA40298916</b>     |      |
| 18  | 11022853  | BRASS INSE. FOR SPRING CARAFE CON.MYB9<br><b>UP TO S/N.9009SA40298916</b>    |      |
| 19  | 12000450  | SCREW TCB TORX 10 3.5X12 PLAST.ZN-N  |      |
| 20  | 11014015  | BLK CARAFFE BOARD SUPPORT GEN.MYB9 ASSY.<br><b>UP TO S/N.9009SA40298916</b>  |      |
| 21  | 12001431  | SCREW TCB TORX 10 3X12 PLAST.SS  |      |
| 22  | 11013784  | BLACK TEFLON TUBES SUPP. COVER MYB9  |      |
| 23  | 11013785  | TEFLON TUBES SUPPORT SPRING MYB9   |      |
| 24  | 11021692  | PREFORMED TEFLON TUBES SUPPORT MYB9 ASSY<br><b>UP TO S/N.9009SA40298916</b>  |      |
| 25  | 11013216  | DOOR LOWER HINGE MYB9  |      |

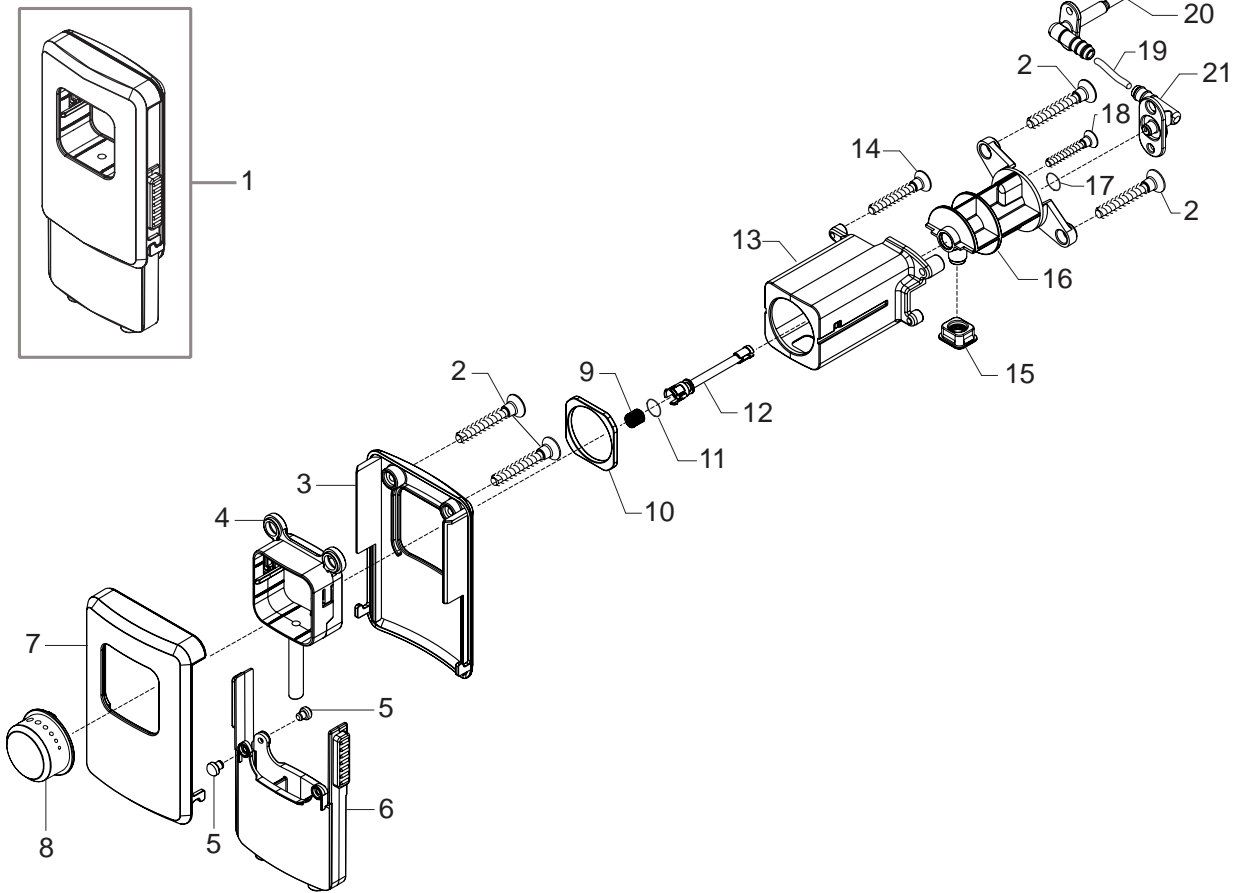
| POS | CODE      | DESCRIPTION  | NOTE               |
|-----|-----------|--|--------------------|
| 26  | 20006820  | KIT SPARES BLACK FRONT PANEL DISPLAY MYB9/T-H                                | COMPLETE           |
| 27  | 12001261  | DISPLAY 320x240 NO TOUCH BRIGHTN.+MYB9                                       |                    |
| 28  | 11013226  | BLACK DISPLAY SEAL MYB9/T-H  |                    |
| 29  | 11012889  | BLACK DISPLAY SUPPORT MYB9/T-H   |                    |
| 30  | 129913202 | SCREW TCB TORX 10 3X8 PLAST.ZN-B   |                    |
| 31  | 149450588 | 65SH SILICONE BOILER SEALING VALVE   |                    |
| 32  | 11012377  | BLACK CPU BOARD COVER MYB9/T-H<br><b>UP TO S/N.9009SA40298916</b>            |                    |
|     | 17000014  | BLACK CPU BOARD COVER V2 MYB9/T-H<br><b>FROM S/N.9009SA40298917</b>          |                    |
| 33  | 11014215  | BLACK BUTTON FOR DOOR RELEASE MYB9   |                    |
| 34  | 11021976  | GALV.PLATE FOR DOOR CLOSURE MYB9   |                    |
| 35  | 11013196  | CPU+SW MYB9/T-H ASSY.  |                    |
| 36  | 11000651  | WATER LEVEL SENSOR BOARD P124  |                    |
| 37  | 11001339  | TRANSPARENT INFRAREDS PLATE P0049  |                    |
| 38  | 11022583  | BLK INSIDE COVER FRON.PANEL S/SCR.MYB9/H<br><b>UP TO S/N.9009SA40298916</b>  |                    |
|     | 17000021  | BLK INSIDE COVER FRON.PANEL V2 S/S.MYB9/H<br><b>FROM S/N.9009SA40298917</b>  |                    |
| 39  | 129912521 | SCREW TCB TORX 10 3.5X14 PLAST.SS  |                    |
| 40  | 11014218  | BLACK COVER BUTT. FOR DOOR RELEA.MYB9  |                    |
| 41  | 11021747  | SPRING FOR DOOR RELEASE BUTTON MYB9  |                    |
| 42  | 128310402 | GALV.WASHER UNI 8842 A4  |                    |
| 43  | 11023393  | CHROMED ZAMA FRONT FRAME V2 MYB9<br><b>FROM S/N.9009SA40298917</b>           |                    |
| 44  | 17000006  | TWO WAY TEFLON TUBES SUPPORT SPRING MY<br><b>FROM S/N.9009SA40298917</b>     |                    |
| 45  | 11023352  | WHT PREFORM.TEFLON TUBES SUPP.MYB9 ASSY<br><b>FROM S/N.9009SA40298917</b>    |                    |
| 46  | 11023251  | BLACK DISPLAY INSERT V2 GMYB<br><b>FROM S/N.9009SA40298917</b>               |                    |
| 47  | 11023423  | BLK CARAFFE BOARD SUPP.GEN.V2 MYB9 ASSY.<br><b>FROM S/N.9009SA40298917</b>   |                    |
| 48  | 12001330  | TRANSPAR.ROUND ADHESIVE FOOT SJ-5382   |                    |
| 49  | 17000043  | FOLK SPRING MYB9 ASSY.<br><b>FROM S/N.9010SA40036481</b>                     |                    |
| 50  | 11006740  | BRONZE SPRING FOR FRONT CASING G0053<br><b>FROM S/N.9010SA40036481</b>       |                    |
| 51  | 11012830  | BLACK FINGER PRINT COVER MYB9/T  | ID                 |
| 52  |           | <b>PARTICULAR NOT AVAILABLE</b>  | ID (SEE PART.N°59) |
| 53  | 17000074  | BLK LOWER FINGERPRINT V2 SENSOR SEAL MYB9/T                                  | ID                 |
| 54  | 11013309  | BLACK FINGER PRINT SUPPORT MYB9/T  | ID                 |
| 55  | 129913702 | SCREW TCB TORX10 2.5X8 PLAST.ZN-B  | ID                 |
| 56  | 17000035  | BLACK V2 FINGERPRINT SENSOR SEAL MYB9/T                                      | ID                 |
| 57  |           | <b>PARTICULAR NOT AVAILABLE</b>  | ID (SEE PART.N°59) |
| 58  | 17000022  | BLK INSIDE COVER FRON.PANEL V2 S/S.MYB9/T                                    | ID                 |
| 59  | 20006871  | KIT SPARES FINGERPRINT SENSOR MYB9/T<br>WITH PART. N°31-51-52-53-54-55-56-57 | ID                 |

**Saeco**  
INTERNATIONAL GROUP

XELSIS - XELSIS ID

Rev. 03 - 03/05/10

TAVOLA 2/8

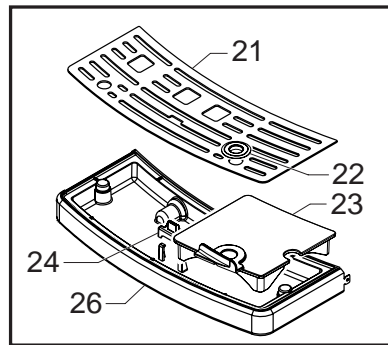
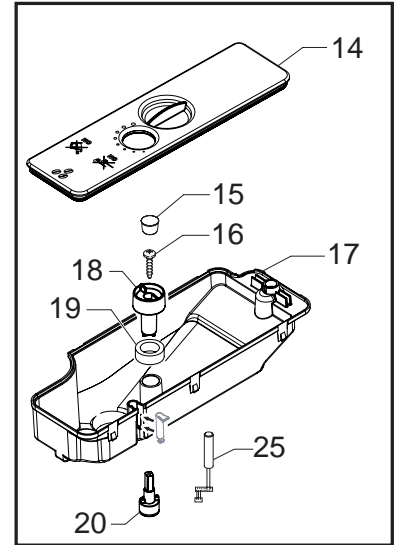
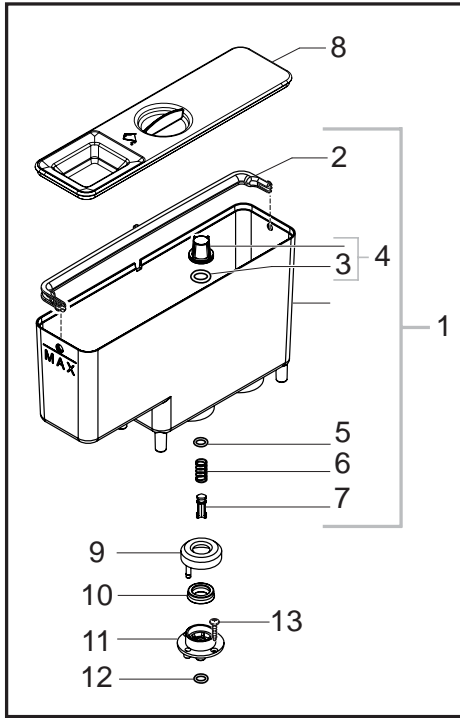


**Saeco** SUP038 - SUP038Z  
INTERNATIONAL GROUP



Cod.10003050-51-52-53-3250-51-52  
Cod.10003278-79-3314-3450-70-71

| POS | CODE      | DESCRIPTION  | NOTE | POS | CODE | DESCRIPTION | NOTE |
|-----|-----------|--|------|-----|------|-------------|------|
| 01  | 11013182  | CHROM.COFFEE DISPENSER MYB9 ASSY.<br>WITH PART. N° 02 - 03 - 04 - 05 - 06 - 07 |      |     |      |             |      |
| 02  | 129570721 | SCREW TCB TORX 10 M3X8 AUTOFORMING SS  |      |     |      |             |      |
| 03  | 11013001  | BLACK REAR COVER COFF. DISPENSER MYB9  |      |     |      |             |      |
| 04  | 11013003  | BLACK INNER BODY COFFEE DISPENS.MYB9   |      |     |      |             |      |
| 05  | 11013085  | WHITE COFFEE DISPENSER SLIDER MYB9   |      |     |      |             |      |
| 06  | 11013002  | BLACK COF.DISPENS. EXT.MOBILE PART MYB9  |      |     |      |             |      |
| 07  | 11013222  | CHROM.FRONT COFF. DISPENS. COVER MYB9  |      |     |      |             |      |
| 08  | 11022128  | CHROMED CREAM ADJUST.KNOB S/SCR.MYB9   |      |     |      |             |      |
| 09  | 126772518 | SS.SPRING FOR COF.CREAM ADJUSTM.SHAFT  |      |     |      |             |      |
| 10  | 11013324  | BLACK CREAM ADJUSTM. KNOB RING MYB9  |      |     |      |             |      |
| 11  | 140326661 | BLACK OR METRIC 0040-20 IN EPDM  |      |     |      |             |      |
| 12  | 140640200 | WHITE COFFEE CREAM ADJUSTMENT SHAFT  |      |     |      |             |      |
| 13  | 11013323  | CHROM.COFFEE DISPENSER SUPPORT MYB9  |      |     |      |             |      |
| 14  | 12000897  | SCREW TCB TORX 10 3,5X20 PLAST.SS  |      |     |      |             |      |
| 15  | 11013072  | BLACK SEAL FOR COFFEE DISPENSER MYB9   |      |     |      |             |      |
| 16  | 11013013  | BLACK COFFEE DISPENSER TUBE MYB9   |      |     |      |             |      |
| 17  | 12000070  | OR METRIC 0060-15 IN SILICONE  |      |     |      |             |      |
| 18  | 12000450  | SCREW TCB TORX 10 3,5X12 PLAST.ZN-N  |      |     |      |             |      |
| 19  | 149360200 | SILICONE TUBE 5X8 70SR IN ROLL   |      |     |      |             |      |
| 20  | 11013364  | BLACK DISPENSER COFF.INLET CONN.MYB9   |      |     |      |             |      |
| 21  | 11012926  | BLACK COFFEE DISPENSER CONNECT. MYB9   |      |     |      |             |      |

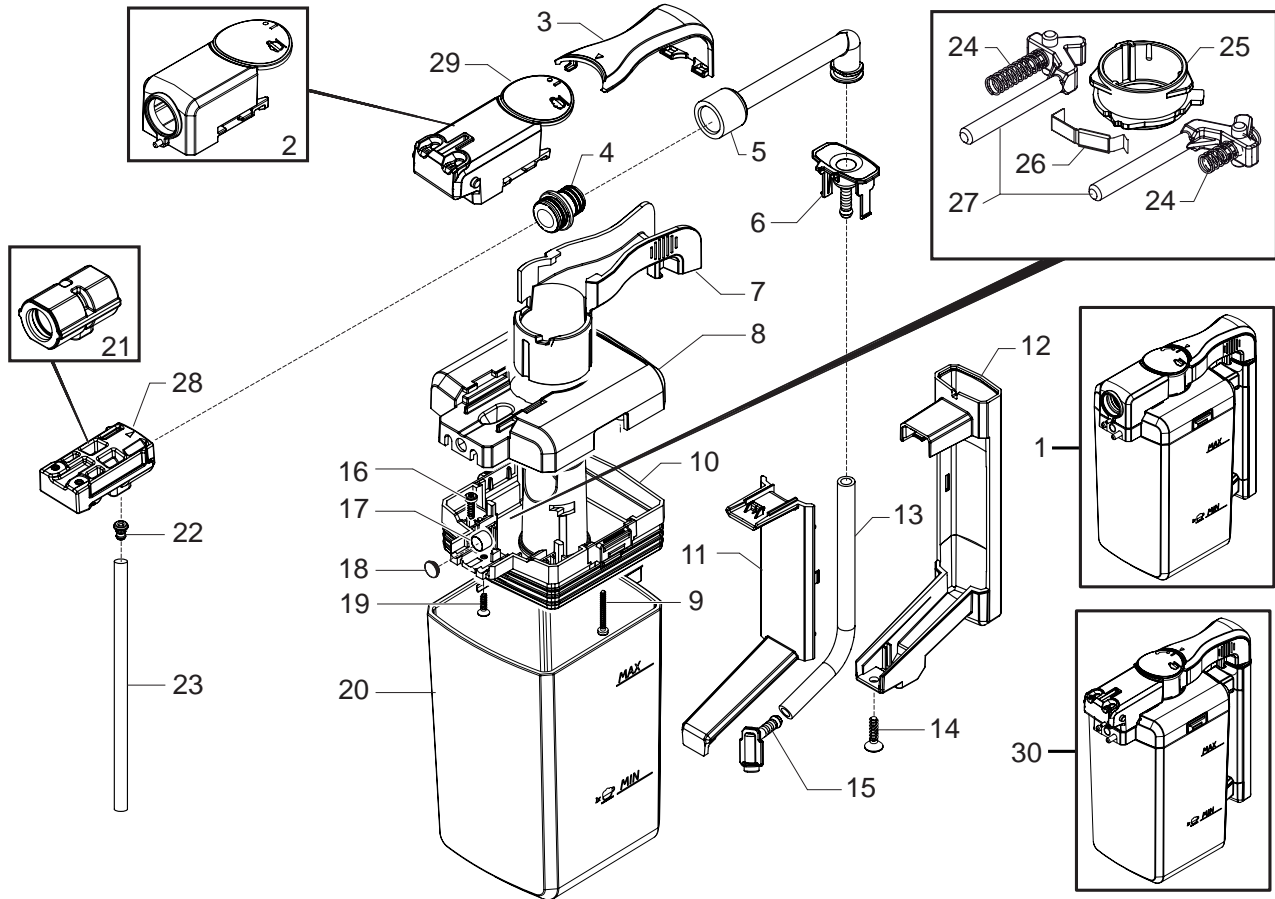


**Saeco** SUP038 - SUP038Z  
INTERNATIONAL GROUP



Cod.10003050-51-52-53-3250-51-52  
Cod.10003278-79-3314-3450-70-71

| POS | CODE         | DESCRIPTION                              | NOTE | POS | CODE | DESCRIPTION | NOTE |
|-----|--------------|--|------|-----|------|-------------|------|
| 01  | 11013212     | NATURAL/GREY WATER CONTAINER MYB9 AS.    |      |     |      |             |      |
| 02  | 11012738     | BLACK HANDLE WATER CONTAINER LID MYB9    |      |     |      |             |      |
| 03  | 140328461    | EPDM OR METRIC 0190-10                   |      |     |      |             |      |
| 04  | 224640200    | EXTERNAL FILTER FOR WATER CONTAIN. AS.   |      |     |      |             |      |
| 05  | 140324362    | OR METRIC 0060-30 IN SILICONE            |      |     |      |             |      |
| 06  | 126764718    | SPRING FOR WATER CONTAINER VALVE         |      |     |      |             |      |
| 07  | 147660562    | GREY WATER VALVE CONTAINER PISTON        |      |     |      |             |      |
| 08  | 11022127     | NAT/GREY WATER CONTAIN. LID S/SCR.MYB9   |      |     |      |             |      |
| 09  | 0701.031.150 | SEAL COVER GREY                          |      |     |      |             |      |
| 10  | 145842900    | WATER CONTAIN.VALVE SEAL GACO DIM14      |      |     |      |             |      |
| 11  | 0701.014.150 | SEAL CONTAINER GREY                      |      |     |      |             |      |
| 12  | 140320461    | OR ORM 0080-20 IN TERMOIL                |      |     |      |             |      |
| 13  | 129535721    | SCREW TSP TORX 10 3,5X9,5 SHEET SS       |      |     |      |             |      |
| 14  | 20006842     | SPARES KIT BEAN COFFEE CONT.LID V2 MYB9  |      |     |      |             |      |
|     | 17000202     | NAT/GREY BEAN COFF.CONT.LID V2 MYB9 ASSY |      |     |      |             |      |
|     |              | <b>FROM S/N.9010SA40120165</b>           |      |     |      |             |      |
|     |              | <b>FROM S/N.9010SA40120166</b>           |      |     |      |             |      |
| 15  | 149213059    | GREY CAP FOR KNOBS BEAN CONTAINER        |      |     |      |             |      |
| 16  | 129913902    | SCREW TCB TORX 10 3X12 PLAST.ZN-B        |      |     |      |             |      |
| 17  | 20006843     | SPARES KIT BEAN COFFEE CONTAINER V2 MYB9 |      |     |      |             |      |
|     | 17000194     | BLACK BEAN CONTAINER V2 MYB9             |      |     |      |             |      |
|     |              | <b>FROM S/N.9010SA40120165</b>           |      |     |      |             |      |
|     |              | <b>FROM S/N.9010SA40120166</b>           |      |     |      |             |      |
| 18  | 11012852     | BLACK GRIND.ADJUSTMENT KNOB MBY9         |      |     |      |             |      |
| 19  | 11022528     | WASHER FOR GRIND.ADJUSTM. KNOB MBY9      |      |     |      |             |      |
| 20  | 145897300    | INSERT GRINDING ADJUSTM.KNOB SMART       |      |     |      |             |      |
| 21  | 11022803     | SS DRIP TRAY GRATE V2 MYB9/H-P           |      |     |      |             |      |
|     | 11022385     | SS DRIP TRAY GRATE MYB9/T                | ID   |     |      |             |      |
| 22  | 17000147     | BLACK GRATE SEAL V3 MYB9/H-P             |      |     |      |             |      |
| 23  | 11022802     | BLACK DRIP TRAY COVER V2 MYB9/H-P        |      |     |      |             |      |
|     | 11022384     | BLACK DRIP TRAY COVER MYB9/T             | ID   |     |      |             |      |
| 24  | 11005388     | RED FLOAT FOR DRIP TRAY P124             |      |     |      |             |      |
|     | 17000001     | RED FLOAT FOR DRIP TRAY MDS              | ID   |     |      |             |      |
| 25  | 17800061     | POLES CONNECTOR MC SENSORS V2 MYB9 UL    |      |     |      |             |      |
| 26  | 11013214     | SB/SS-BLACK DRIP TRAY MYB9/H-P ASSY.     |      |     |      |             |      |
|     | 11013281     | BLACK/BLACK DRIP TRAY MYB9/H-P ASSY.     |      |     |      |             |      |
|     | 11013300     | WHITE/BLACK DRIP TRAY MYB9/H-P ASSY.     |      |     |      |             |      |
|     | 11022389     | SM/SS-BLACK DRIP TRAY MYB9/T ASSY.       | ID   |     |      |             |      |

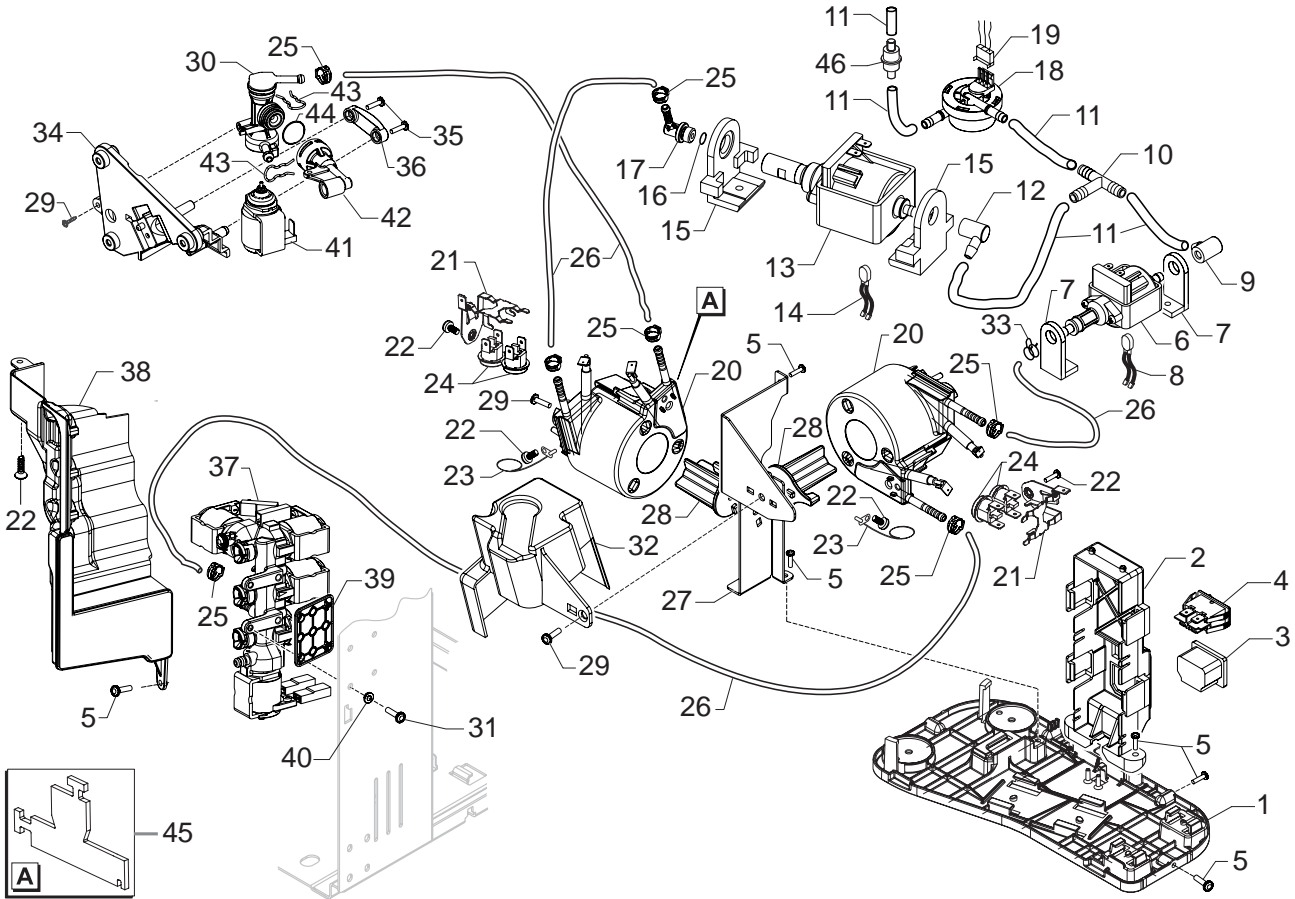


**Saeco** SUP038 - SUP038Z  
INTERNATIONAL GROUP



Cod.10003050-51-52-53-3250-51-52  
Cod.10003278-79-3314-3450-70-71

| POS | CODE      | DESCRIPTION   | NOTE | POS | CODE | DESCRIPTION | NOTE |
|-----|-----------|---|------|-----|------|-------------|------|
| 01  | 11012845  | TRANSPAR/BLACK GENERAL CARAFE MYB9 ASSY.<br><b>UP TO S/N.9009SA40298916</b> |      |     |      |             |      |
| 02  | 11021984  | CHROM.CARAFE CAPP.COVER S/SC.MYB9 ASSY.<br><b>UP TO S/N.9009SA40298916</b>  |      |     |      |             |      |
| 03  | 11022498  | CHR.UPPER CARAFE SUPP. V2 S/SCR.MYB9  |      |     |      |             |      |
| 04  | 11012812  | VENTURI TUBE FOR CAPPUCINATORE MYB9   |      |     |      |             |      |
| 05  | 11012678  | BLACK CARAFE MILK DISPENSER TUBE MYB9                                       |      |     |      |             |      |
| 06  | 11013163  | BLACK UPPER TUBE CARAFE CONNECT.MYB9  |      |     |      |             |      |
| 07  | 11022496  | CHROM.LOWER CARAFE SUPPORT V2 MYB9  |      |     |      |             |      |
| 08  | 11012816  | BLACK UPPER COVER PART CARAFE MYB9  |      |     |      |             |      |
| 09  | 12000550  | SCREW TCB TORX 10 3X25 PLAST.SS   |      |     |      |             |      |
| 10  | 11021893  | BLACK LOWER COV. PART CARAFE MYB9 AS.                                       |      |     |      |             |      |
| 11  | 11013466  | CHROMED REAR PART HILT CARAFE MYB9  |      |     |      |             |      |
| 12  | 11023158  | CHROMED FRONT PART HILT CARAFE V2 MYB9                                      |      |     |      |             |      |
| 13  | 149360200 | SILICONE TUBE 5X8 70SR IN ROLL  |      |     |      |             |      |
| 14  | 129911721 | SCREW TSP TORX 4X16 PLAST STEEL   |      |     |      |             |      |
| 15  | 11013164  | BLACK LOWER TUBE CARAFE CONNEC.MYB9   |      |     |      |             |      |
| 16  | 129910921 | SCREW TCB TORX 10 3X10 SS   |      |     |      |             |      |
| 17  | 9161.111  | MAGNET FOR FLOAT SUPERAUTOM.  |      |     |      |             |      |
| 18  | 11014016  | SS.INSERT FOR MAGNET MYB9   |      |     |      |             |      |
| 19  | 12000895  | SCREW TSP TORX 10 3X10 PLAST.SS   |      |     |      |             |      |
| 20  | 11024104  | TRANSP.CARAFE V3 S/SCREEN MYB9  |      |     |      |             |      |
| 21  | 11012677  | BLACK CARAFE CAPPUCINATORE CASING MYB<br><b>UP TO S/N.9009SA40298916</b>    |      |     |      |             |      |
| 22  | 11012813  | BLACK MILK TUBE CONNECTOR MYB9  |      |     |      |             |      |
| 23  | 149360400 | TRANSPARENT SILCONE TUBE 3,5X6 IN ROLL                                      |      |     |      |             |      |
| 24  | 11013765  | STEEL SPRING FOR CARAFE LEVER MYB9  |      |     |      |             |      |
| 25  | 11022522  | BLACK CAM FOR CARAFE LEVERS V2 MYB9   |      |     |      |             |      |
| 26  | 11013832  | CARAFE SPRING WITH INSERT MYB9 ASSY.  |      |     |      |             |      |
| 27  | 11012818  | BLACK LEVER FOR CARAFE CAM MYB9   |      |     |      |             |      |
| 28  | 11023232  | BLK CARAFE CAPPUCINATORE CASING V2 MYB<br><b>FROM S/N.9009SA40298917</b>    |      |     |      |             |      |
| 29  | 11023235  | CHR.CARAFE CAPP.COVER V2 S/SC.MYB9 ASSY.<br><b>FROM S/N.9009SA40298917</b>  |      |     |      |             |      |
| 30  | 11023236  | TRANSP/BLACK GENERAL CARAFE V3 MYB9 ASSY<br><b>FROM S/N.9009SA40298917</b>  |      |     |      |             |      |

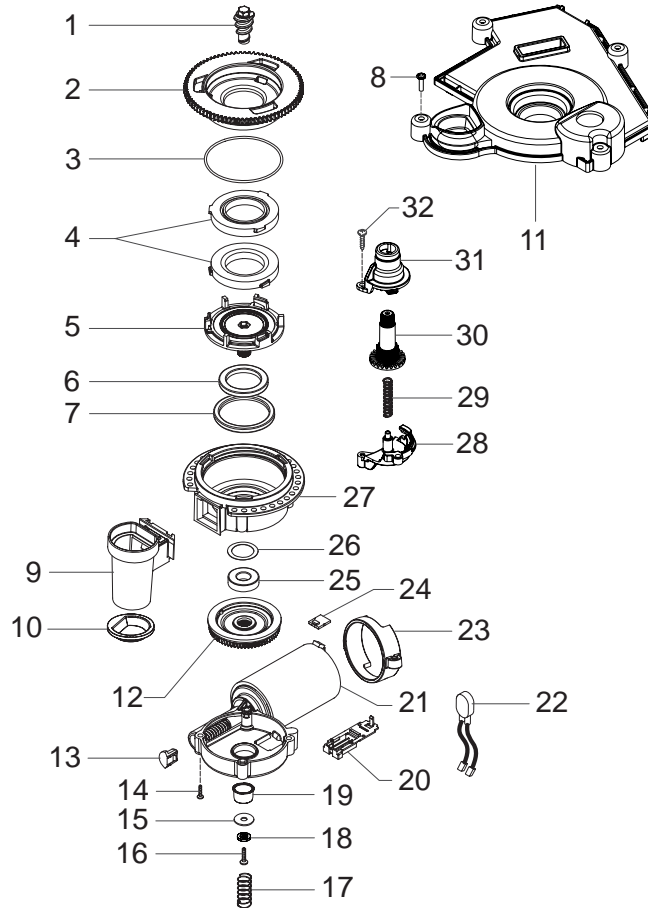


**Saeco** SUP038 - SUP038Z  
INTERNATIONAL GROUP



Cod.10003050-51-52-53-3250-51-52  
Cod.10003278-79-3314-3450-70-71

| POS | CODE      | DESCRIPTION                            | NOTE         | POS | CODE      | DESCRIPTION   | NOTE      |
|-----|-----------|--|--------------|-----|-----------|---|-----------|
| 01  | 11012205  | BLACK COMPONENTS SUPPORT MYB9          |              | 29  | 12001280  | SCREW TSP TORX 10 5X20 PLAST.ZN-B                                 |           |
| 02  | 11012412  | BLACK SOCKET-SWITCH SUPPORT MYB9       |              | 30  | 20006558  | BLOWDOWN VALVE CASING MYB9 ASSY.                                  |           |
|     | 11023406  | BLACK SOCKET-SWITCH SUPPORT MYB9 UL    |              | 31  | 129914302 | SCREW TORX M4X10 TESTA D=8X1,5 GALV                               |           |
| 03  | 12000280  | CUP SOCKET EN 60320 C 13               |              | 32  | 11022428  | BLK COFFEE BOILER INSULATIN. COVER MYB9                           |           |
| 04  | NE03.038  | BIPOLAR SWITCH FUSIT C1250AR           |              | 33  | 184320200 | SPRING HOSE CLAMP D=9,5MM   |           |
| 05  | 12000450  | SCREW TCB TORX 10 3,5X12 ZN-N          |              | 34  | 11012206  | BLACK BLOWDOWN VALVE SUPPORT MYB9                                 |           |
| 06  | 12001212  | ULKA PUMP MF                           | 230V-50HZ    | 35  | 129913902 | SCREW TCB TORX 10 3X12 PLAST.ZN-B                                 |           |
|     | 12001346  | ULKA PUMP MF                           | 120V-60HZ    | 36  | 11013711  | BLACK VALVE FIXING FLANGE MYB9                                    |           |
|     | 12001348  | ULKA PUMP MF                           | 220V-50/60HZ | 37  | 11013165  | DIFFUSER VALVE MYB9 ASSY.   |           |
|     | 12001347  | ULKA PUMP MF                           | 100V-50/60HZ | 38  | 11013528  | BLACK DIFFUSER PROTECT.VALVE MYB9 ASSY.                           |           |
| 07  | 11012194  | BLACK ULKA MF PUMP SUPPORT             |              | 39  | 11021841  | SOLENOID VALVE CONNec.INSUL.PLATE MYB9                            |           |
| 08  | 11013116  | 2POLES CONNECTOR STEAM PUMP MYB9 UL    |              | 40  | 11021842  | SOLENOID VALVE CONN.INSUL.WASHER MYB9                             |           |
| 09  | 11012193  | 90° INLET CONNECTOR FOR PUMP ULKA MF   |              | 41  | 20000590  | BLOWDOWN VALVE COIL P0049 ASSY.                                   | 230V      |
| 10  | 147920300 | TEE CONNECTOR D=8 ART.80.26.047 KA.461 |              |     | 20000680  | BLOWDOWN VALVE COIL P0049 ASSY.                                   | 120V      |
| 11  | JS01.022  | SILICONE TUBE 5X10 60 SHORE            | IN ROLL      |     | 20000920  | BLOWDOWN VALVE COIL P0049 ASSY.                                   | 220V-60HZ |
| 12  | 147920150 | 90° INLET CONNECTOR PUMP               |              |     | 20000681  | BLOWDOWN VALVE COIL P0049 100V ASSY.                              | 100V      |
| 13  | 12000140  | ULKA PUMP EP5/S GW                     | 230V-50HZ    | 42  | 11007565  | BLOWDOWN VALVE CONNECTOR V2 P0049                                 |           |
|     | 12000142  | ULKA PUMP EAP5/S                       | 120V-60HZ    | 43  | 11005096  | FORK SPRING FOR VALVE P0049                                       |           |
|     | 12000182  | ULKA PUMP EP5/S GW                     | 220V-50/60HZ | 44  | 12000620  | OR ORM 0130-20 IN EPDM  |           |
|     | 12000130  | ULKA PUMP EP5/S GW                     | 100V-50/60HZ | 45  | 11021450  | TUB.BOILER STD C1 INSULATING                                      |           |
| 14  | 11013076  | 2POLES CONNECTOR COFFEE PUMP MYB9 UL   |              | 46  | 144650300 | SUCTION FILTER GAUZE NET 500 (NEW)                                |           |
| 15  | 11022857  | BLACK PUMP SUPPORT GMYB                |              |     | 11006995  | V2 BLOWDOWN VALVE MYB9 230V ASSY.                                 |           |
| 16  | 140321961 | OR 2031 IN TERMOIL                     |              |     | 11022038  | V2 BLOWDOWN VALVE MYB9 120V ASSY.                                 |           |
| 17  | 11001054  | 90°CONNECTOR PUMP OUTLET P0049/B       |              |     | 11021989  | V2 BLOWDOWN VALVE MYB9 220V-60HZ ASSY.                            |           |
| 18  | 12000781  | TURBINE D=1,2 932-8521/90 ASSY.        |              |     | 11022037  | V2 BLOWDOWN VALVE MYB9 100V ASSY.<br>WITH PART. N°30-41-42-43-44  |           |
| 19  | 11013122  | 6POLES CONNECTOR FLOWMETER MYB9 UL     |              |     | 11009776  | TUB.BOILER STD C1 1300W 230V ASSY.                                |           |
| 20  | 11011341  | V4 TUB.BOILER ASSY.                    | 230V-1300W   |     | 11009778  | TUB.BOILER STD C1 1300W 120V ASSY.                                |           |
|     | 11005608  | V3 TUB.BOILER ASSY.                    | 120V-1300W   |     | 11012032  | TUB.BOILER STD C1 1100W 100V ASSY.<br>WITH PART. N°20-21-22-23-24 |           |
|     | 11011346  | V4 TUB.BOILER ASSY.                    | 100V -1100W  |     |           |   |           |
| 21  | 11007907  | THERMOSTATES SPRING FOR BOILER         |              |     |           |   |           |
|     | 11010164  | THERMOSTATES SPRING FOR BOILER         |              |     |           |   |           |
|     |           | UP TO S/N.9009SA40265657               |              |     |           |   |           |
|     |           | FROM S/N.9009SA40265658                |              |     |           |   |           |
| 22  | 129573202 | SCREW TCB TORX 20 M4X8 AUTOFORM. ZN-B  |              |     |           |   |           |
| 23  | 190800100 | TEMPERATURE SENSOR NTC UL L=280MM      |              |     |           |   |           |
| 24  | 189428600 | THERMOSTAT 175° 1NT-08L-5125           |              |     |           |   |           |
|     |           | UP TO S/N.9009SA40265657               |              |     |           |   |           |
|     | 12001034  | THERMOSTAT ONE SHOT 175°               |              |     |           |   |           |
|     |           | FROM S/N.9009SA40265658                |              |     |           |   |           |
| 25  | 12000892  | OETIKER CLAMP D=9,5 16700004           |              |     |           |   |           |
| 26  | 16000380  | 5X8,9 SILICONE TUBE                    | IN ROLL      |     |           |   |           |
| 27  | 11013034  | STEEL TUBOL.BOILER SUPPORT MYB9        |              |     |           |   |           |
| 28  | 11012214  | BLACK BOILERS SUPPORT MYB9             |              |     |           |   |           |

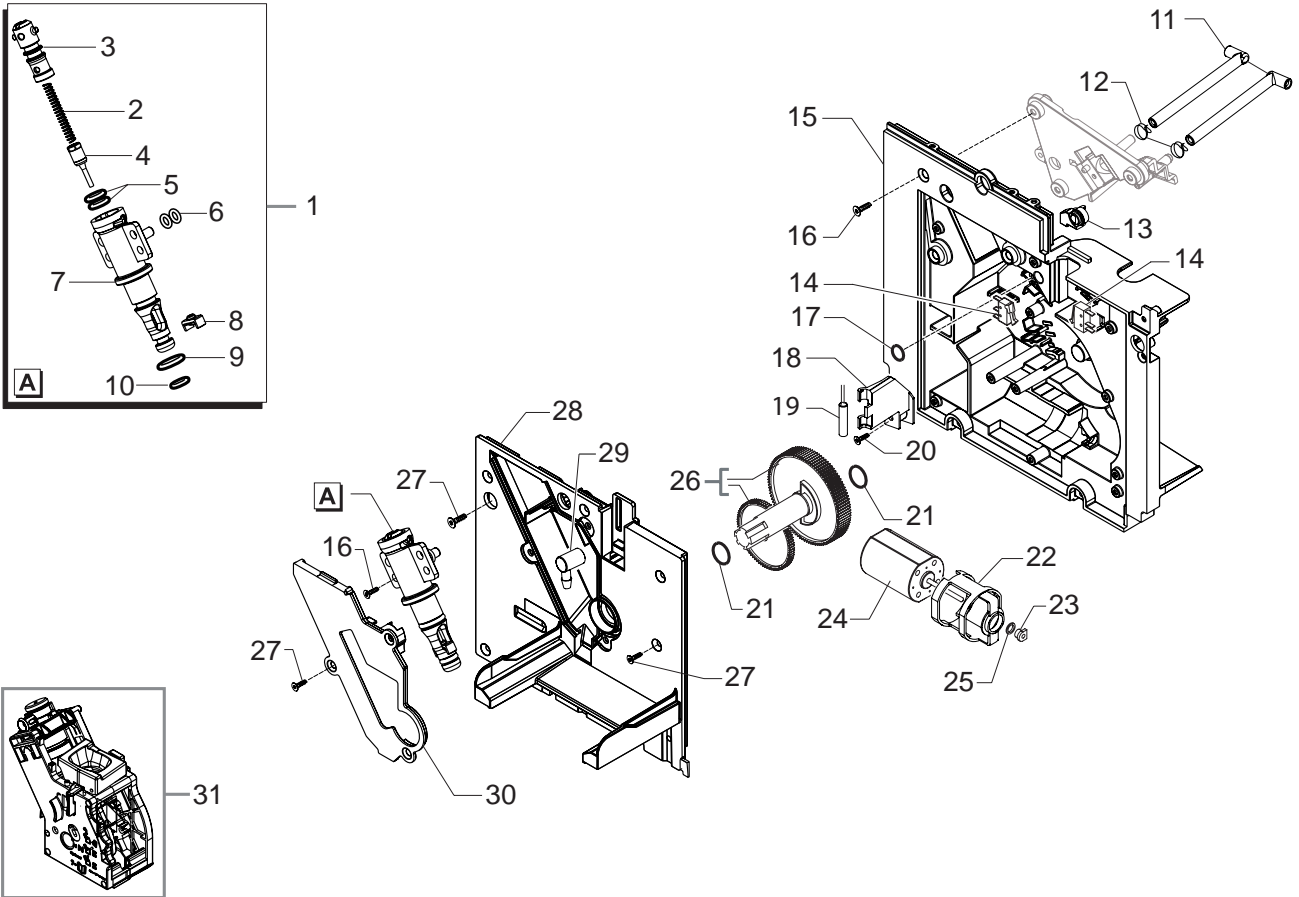


**Saeco** SUP038 - SUP038Z  
INTERNATIONAL GROUP



Cod.10003050-51-52-53-3250-51-52  
Cod.10003278-79-3314-3450-70-71

| POS | CODE      | DESCRIPTION                            | NOTE | POS | CODE | DESCRIPTION | NOTE |
|-----|-----------|--|------|-----|------|-------------|------|
| 01  | 11011205  | TEA/ZAMA INCREASE SCREW GRINDER        |      |     |      |             |      |
| 02  | 149198250 | UPPER GRINDER SUPPORT COFFEEGRINDER    |      |     |      |             |      |
| 03  | 140328960 | NBR FDA OR METRIC 0530-15              |      |     |      |             |      |
| 04  | 146520100 | BAKED CLAY GRINDER 48X28               |      |     |      |             |      |
| 05  | 149198350 | LOWER GRINDER SUPPORT COFFEEGRINDER    |      |     |      |             |      |
| 06  | 123030300 | AXIAL BEARING EKKO 342.35252           |      |     |      |             |      |
| 07  | 140360500 | FELT RING 45,4X39,4X4                  |      |     |      |             |      |
| 08  | 12000450  | SCREW TCB TORX 10 3,5X12 PLAST.ZN-N    |      |     |      |             |      |
| 09  | 11012564  | GROUND COFFEE OUTLET CONVEYOR V2 ASSY. |      |     |      |             |      |
| 10  | 145854462 | GROUND COFFEE CONT.SEAL LOWER SMART1   |      |     |      |             |      |
| 11  | 11012856  | SOUNDPROOF. COVER FOR COF.GRIND. MYB9  |      |     |      |             |      |
| 12  | 226000300 | GEAR SX Z=38 FOR GRINDER MOTION ASSY.  |      |     |      |             |      |
| 13  | 149214800 | CAP FOR WORM SCREW MC/V3 CENTRING      |      |     |      |             |      |
| 14  | 129661702 | SCREW TCB TORX 3,5X30 PLAST.ZN-B       |      |     |      |             |      |
| 15  | 128381902 | GALVAN.FLAT WASH.DI=4,3 DE=14 SP=1,5   |      |     |      |             |      |
| 16  | 129574802 | SCREW TCB TORX 20 M4X30 ZN-B           |      |     |      |             |      |
| 17  | 11000597  | COFFEE GRINDER SUPPORT SPRING P124     |      |     |      |             |      |
| 18  | 128310402 | GALV.WASHER UNI 8842 A4                |      |     |      |             |      |
| 19  | 11002873  | INSULATOR BUSH FOR GRINDER MOTOR P124  |      |     |      |             |      |
| 20  | 149199050 | SENSOR SUPPORT FOR COFF.GRIND.MOTOR    |      |     |      |             |      |
| 21  | 11000513  | MOTOR COFFEEGRINDER/V3.1 ASSY.         | 230V |     |      |             |      |
|     | 11000511  | MOTOR COFFEEGRINDER/V3.1 ASSY.         | 120V |     |      |             |      |
|     | 11000512  | MOTOR COFFEEGRINDER/V3.1 ASSY.         | 100V |     |      |             |      |
| 22  | 11013079  | 2POLES CONNECT. GRINDER MOTOR MYB9 UL  |      |     |      |             |      |
| 23  | 11000194  | BLACK GRINDER MOTOR SUPPORT P124       |      |     |      |             |      |
| 24  | 181540900 | ELECTRONIC BOARD WITH SENSOR HAL506    |      |     |      |             |      |
| 25  | 123030200 | RADIAL BEARING 61900.2RS1              |      |     |      |             |      |
| 26  | 128381800 | CRINKLE WASHER 21,8X15,8X0,2           |      |     |      |             |      |
| 27  | 142905450 | UPPER BODY WITH COFFE.GROUND OUTLET    |      |     |      |             |      |
| 28  | 149199850 | LOWER GEAR SUPP. COFFEEGRINDER SMART   |      |     |      |             |      |
| 29  | 126772918 | SPRING FOR ADJUSTMENT GRINDING GEAR    |      |     |      |             |      |
| 30  | 146002150 | COFFEE GRINDING ADJUSTMENT GEAR SMART  |      |     |      |             |      |
| 31  | 149199750 | UPPER GEAR SUPP. COFFEEGRINDER SMART   |      |     |      |             |      |
| 32  | 129914002 | SCREW TCB TORX 10 3,5X16 PLAST.ZN-B    |      |     |      |             |      |
|     | 11013147  | GENERAL MOTOR MC MYB9 230V ASSY.       |      |     |      |             |      |
|     | 11022036  | GENERAL MOTOR MC MYB9 120V ASSY.       |      |     |      |             |      |
|     | 11022035  | GENERAL MOTOR MC MYB9 100V ASSY.       |      |     |      |             |      |



**Saeco** SUP038 - SUP038Z  
INTERNATIONAL GROUP



Cod.10003050-51-52-53-3250-51-52  
Cod.10003278-79-3314-3450-70-71

| POS | CODE      | DESCRIPTION   | NOTE | POS | CODE | DESCRIPTION | NOTE |
|-----|-----------|---|------|-----|------|-------------|------|
| 01  | 11005060  | PIN V2 FOR BOILER P119 ASSY.                          |      |     |      |             |      |
| 02  | 9011.132  | SPRING FOR PIN  |      |     |      |             |      |
| 03  | 11003820  | CAP V2 FOR PIN BOILER P119                            |      |     |      |             |      |
| 04  | 11009019  | TEA/BRASS PISTON L=20,9 ASSY.                         |      |     |      |             |      |
| 05  | 140324459 | OR ORM 0060-20 IN SILICONE PTFE/FDA                   |      |     |      |             |      |
| 06  | 140328059 | OR 2015 IN SILICONE PTFE/FDA                          |      |     |      |             |      |
| 07  | 11003801  | NATURAL PIN V2 FOR BOILER P119                        |      |     |      |             |      |
| 08  | 11005099  | NATURAL CURSOR V2 FOR BOILER P119                     |      |     |      |             |      |
| 09  | NM01.035  | OR ORM 0090-20 SILICONE                               |      |     |      |             |      |
| 10  | NM01.057  | OR ORM 0050-20 IN SILICONE                            |      |     |      |             |      |
| 11  | 11012337  | WATER DRAIN CONNECTOR MYB9                            |      |     |      |             |      |
| 12  | NV99.087  | BAND D=11/11,6  |      |     |      |             |      |
| 13  | 11013514  | BLACK COVER MOUNTING PLATE SEAL MYB9                  |      |     |      |             |      |
| 14  | NE05.038  | MICROSWITCH   |      |     |      |             |      |
| 15  | 227533550 | BLACK MOUNTING PLATE WITH PIN P119 ASSY.              |      |     |      |             |      |
| 16  | 12000450  | SCREW TCB TORX 10 3,5X12 PLAST.ZN-N                   |      |     |      |             |      |
| 17  | 140325462 | OR METRIC 0070-20 IN SILICONE                         |      |     |      |             |      |
| 18  | 11012976  | BLACK SENSOR SUPPORT MYB9                             |      |     |      |             |      |
| 19  | 11003661  | REED SENSOR MK3-1A66-BV16451                          |      |     |      |             |      |
| 20  | 129913902 | SCREW TCB TORX 10 3X12 PLAST.ZN-B                     |      |     |      |             |      |
| 21  | 9161.132  | MYLAR WASHER FOR RATIOMOTOR                           |      |     |      |             |      |
| 22  | 9121.044  | ANTIVIBRATION FOR MOTOR                               |      |     |      |             |      |
| 23  | 9121.046  | SINTERED BUSH FOR MOTOR                               |      |     |      |             |      |
| 24  | 11003037  | MOTOR FOR RATIOMOTOR ASSY.                            |      |     |      |             |      |
| 25  | 148380200 | WASHER BAKELIZZATE D=5,5                              |      |     |      |             |      |
| 26  | 20000900  | SPARES KIT GEARS FOR RATIOMOTOR V2                    |      |     |      |             |      |
| 27  | 129914102 | SCREW TSP TORX 10 3,5X12 PLAST.ZN-B                   |      |     |      |             |      |
| 28  | 11013513  | BLACK COVER MOUNTING PLATE MYB9                       |      |     |      |             |      |
| 29  | 147920150 | 90° INLET CONNECTOR PUMP                              |      |     |      |             |      |
| 30  | 142856550 | BLACK COVER FOR VAIN BOILER P119                      |      |     |      |             |      |
| 31  | 11012810  | BLACK BREW UNIT 8GR.SBS MYB9<br>SEE COD. EXPL. E90071 |      |     |      |             |      |