

GAGGIA® SUP034NR



Cod. 10001706-1953-2008
Cod. 10002496-7-8-2512-4

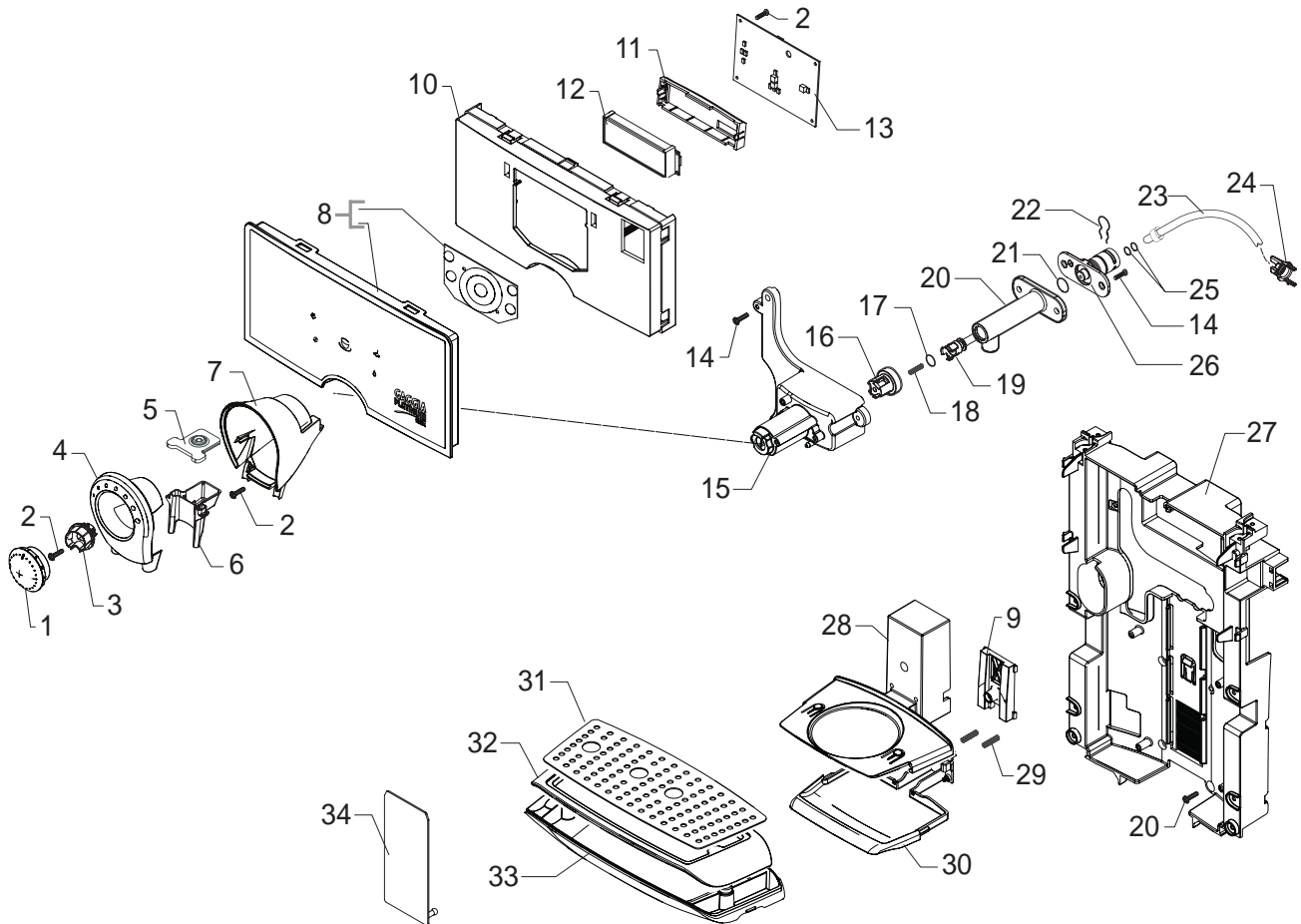
POS	CODE	DESCRIPTION	NOTE	POS	CODE	DESCRIPTION	NOTE
01	15001122	MANUAL INSTRUCTIONS GAGGIA G0053/B D/I		32	12000280	CUP SOCKET EN 60320 C 13	
	15001123	INSTRUALIONS MANUAL GAGGIA G0053/B GB/F		33	U140.001	PANELVIT TCB 3,5X40 DIN 7505 B GAL	
	15001124	MANUAL INSTRUCTIONS GAGGIA G0053/B E/P		34	11007060	GENERAL SWITCH FOR P124	
	15001125	MANUAL INSTRUCTIONS GAGGIA G0053/B NL/PL		35	11007174	TITANIO RIGHT SIDE CASING G0053	
	15001277	MANUAL INSTRUCTIONS GAGGIA G0053/B GB/P	ONLY BRAZIL	36	11000223	BLACK WHEEL FOR CASING BOTTOM P124	
02	21000974	ACC GAG WATER FILTER 1 UNIT		37	140321461	OR 2018 IN EPDM	
03	0301.961	WATER HARDNESS TEST		38	11003821	BLACK CAP FOR CONNECTIONS P0049/P0053	
04	183911050	POWER CABLE SCHUKO BLACK L=1200MM		39	9161.111	MAGNET FOR FLOAT SUPERAUTOM.	
	183930650	PO.CABL.CH BLACK 3X1 H05VV-F L=1200MM		40	11005046	BLACK INSIDE COVER DOOR G0053	
	183970350	BLACK POWER CABL. UK 3X1 H05VV-F L=1200MM		41	11003533	BLACK DUMP BOX P0049 W/OUT S.SCREEN ASSY.	
	183940650	BLACK POWER CABL.AUS.3X1 H05VV-F L=1200MM		42	11007178	TITANIO DOOR G0053	
	183921950	POWER CABLE SJT3 USA BLACK UL L=1200MM		43	11001340	BLACK DOOR PIN P0049	
	183980650	POWER CABLE JAPPON VCTF BLACK L=1200 MM		44	11001362	SPRING FOR LOCK P0049	
	11004245	BLACK POWER CABLE BRAZIL W/CONNECT.L=1200		45	11007177	TITANIO DRIP TRAY COFFEE UNIT G0053	
	11005044	SAECO KLUBER TRIBOSTAR SIL 2 TUBE 5GR.		46	129912702	SCREW PT TORX 3X10 WN 1411 GALVANIZ	
05	146680850	BLACK COFFEE MEASURE SMART		47	11001360	PWR BOARD P0049/P0053	230V
06	11003785	BLACK GRINDER ADJUSTMENT KEY P0049			11003968	PWR BOARD P0049/P0053	120V
07	11002017	TRANSPARENT WATER CONTAINER P0053 AS.		48	11007605	2POLES CONNECT. SENSOR REED DOOR G0053	
08	224640200	EXTERNAL FILTER FOR WATER CONTAINER AS.	WITH PART. N°10	49	11003154	BLACK REED SENSOR SUPPORT P0049	
09	140328461	EPDM OR METRIC 0190-10		50	11001339	TRANSPATE INFRAREDS PLATE P0049	
10	11003672	SPRING FOR WATER CONTAINER VALVE P0049		51	11004055	TITANIO ON-OFF BUTTON INSERT P0049	
11	11003673	GREY WATER CONTAINER VALVE INSERT P0049		52	11004377	SILVER ON-OFF SWITCH BUTTON P0049	
12	11003671	TRANSP.VALVE FOR WATER CONTAINER P0049		53	13000526	CARTON INSERT FOR BOX G0053	
13	11001298	BLACK LID FOR DUCKBILL VALVE P0049					
14	11007212	TITANIO WATER TANK OUTLET COVER G0053					
15	11001668	NATURAL/GREY WATER CONTAINER LID P0053					
16	13000543	PS-E UPPER INSERT FOR BOX G0053					
17	13000533	PS-E LOWER INSERT FOR BOX G0053					
18	13000544	DISPLAY BOX G0053 GAGGIA PLATINUM					
19	11007195	NATUR/GREY BEAN COFF.CONT.LID G0053 ASSY					
20	11004793	SB/STAINLESS STEEL CUP WARMING LID G0053					
21	11008183	GREY SEAL FOR CUPWARMER G0053					
22	11002842	BLACK POWER BOARD PROTECTION P0049					
23	11007175	TITANIO LEFT SIDE CASING G0053					
24	12000450	SCREW TORX T10 3,5X12 UNI9786 GALVANIZED					
25	11007232	TITANIO WATER-STEAM KNOB G0053					
26	11007207	BLACK FRONT CASING G0053/A-B ASSY.					
27	11004799	NATUR/GREY GROUND COF.CONTAIN.CAP G0053					
28	12000510	SCREW TORX T10 3,5X30 UNI9786 GALVANIZED					
29	11007173	TITANIO COVER CASING G0053					
30	11004687	MOUNTING PLATE WITH PIN P0049 ASSY.					

GAGGIA®

GAGGIA PLATINUM SWING

Rev. 00 - 03/09/07

TABLE 1/5


GAGGIA® SUP034NR

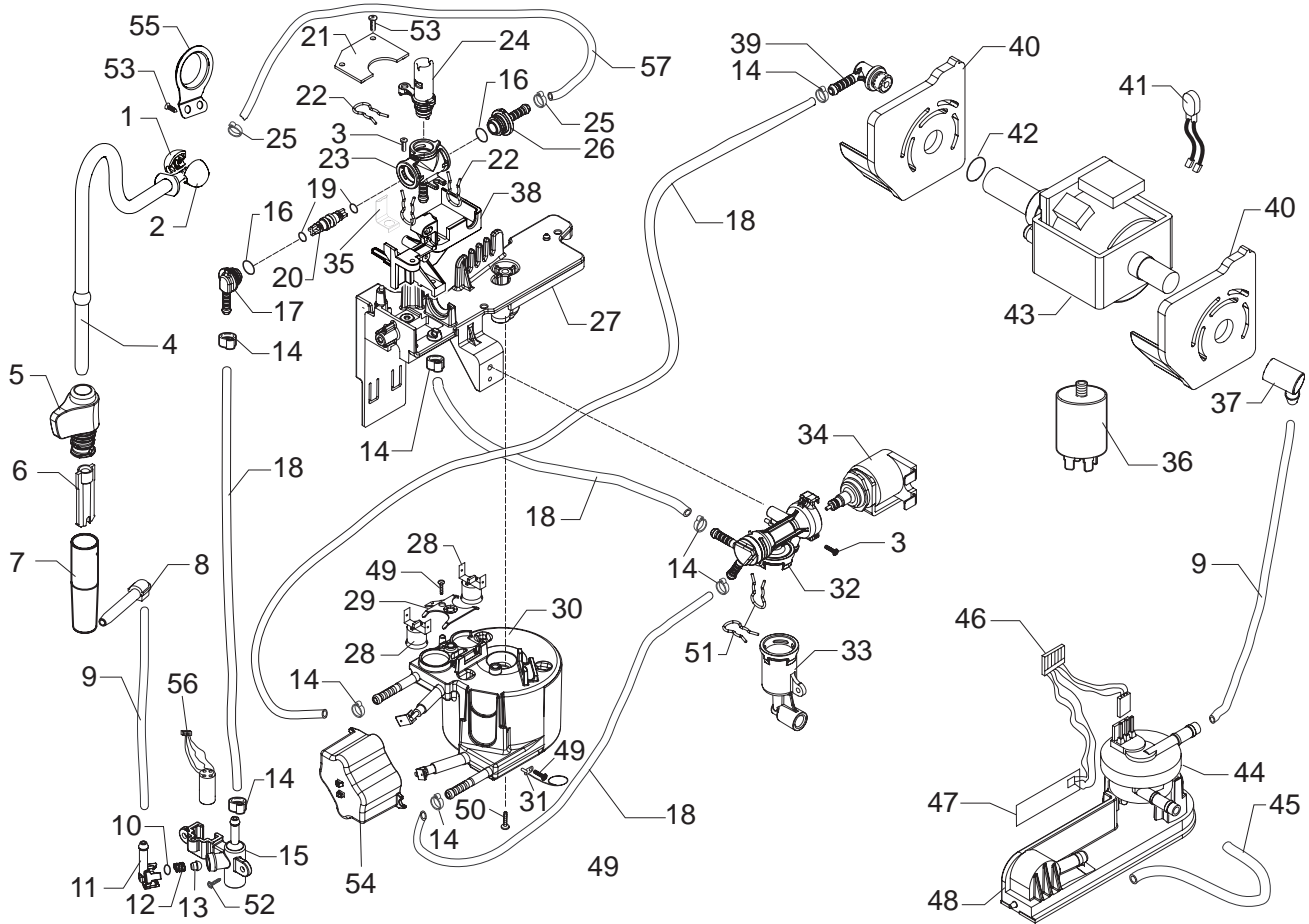
Cod. 10001706-1953-2008
Cod. 10002496-7-8-2512-4

POS	CODE	DESCRIPTION	NOTE	POS	CODE	DESCRIPTION	NOTE
01	11007214	TITANIO CREAM ADJUSTMENT KNOB G0053					
02	129913702	SCREW K 25X8 WN 1452 GALVANIZED					
03	11007420	INTERNAL CONN.V2 FOR COFFEE DISPENSER					
04	11007211	CHROM.FRONT COFF. DISPENSER COVER G0053					
05	11002111	BLACK CAP COFFEE DISPEN.HEAD BODY P0053					
06	11002049	BLACK COFFEE DISPENSER BODY P0053					
07	11007179	TITANIO REAR COFFEE DISPENS.COVER G0053					
08	11006025	BLACK DISPLAY FRONT PLATE G0053/B ASSY.					
09	148740600	SLIDE FOR DRIP TRAY P117					
10	11002044	DISPLAY SUPPORT P0053/B					
11	11008207	BLACK FRONT PANEL SUPPORT G0053/B-C					
12	12000164	DISPLAY VL 1351 P0053/B AMBRA					
13	11008067	CPU+SW AS.V2 P0053/B					
14	12000450	SCREW TORX T10 3,5X12 UNI9786 GALVANIZED					
15	11005996	BLACK DISPENSING SUPPORT G0053					
16	149198700	SUPPORT CREAM ADJUSTMENT SHAFT					
17	140326661	OR METRIC 0040-20 IN EPDM					
18	126772518	SPRING FOR CREAM ADJUSTMENT SHAFT					
19	140640200	CREAM ADJUSTMENT SHAFT					
20	11000290	BLACK COFFEE DISPENSER TUBE P124					
21	12000070	OR METRIC 0060-15 IN SILICONE					
22	9011.144	FORK FOR TUBE D.4					
23	11001766	TEFLON TUBE 2X4 L=125 MM ASSY.					
24	11006504	BLACK TUBE TEFLON INSERT G0053					
25	140328059	OR 2015 IN SILICONE PTFE/FDA					
26	11002130	FAST LOCK CONNECTOR FOR EROGATOR P0053					
27	11004741	BLACK DRIP TRAY GUIDE G0053					
28	11004795	CARBONA DRIP TRAY SUPPORT G0053					
29	11002068	SPRING FOR BUTTONS P0053/A					
30	11005115	CARBONA DRIP TRAY SUPPORT INSERT G0053					
31	11004773	SB/STAINLESS STEEL GRATE G0053					
32	11007213	CHROMATED SUPP. GRATE DRIP TRAY G0053					
33	11008883	TITANIO DRIP TRAY G0053 ASSY.					
34	11003399	SPECCHIATO DRIP TRAY PROTECTION P0053					

GAGGIA®
GAGGIA PLATINUM SWING

Rev. 00 - 03/09/07

TABLE 2/5



GAGGIA® SUP034NR



Cod. 10001706-1953-2008
Cod. 10002496-7-8-2512-4

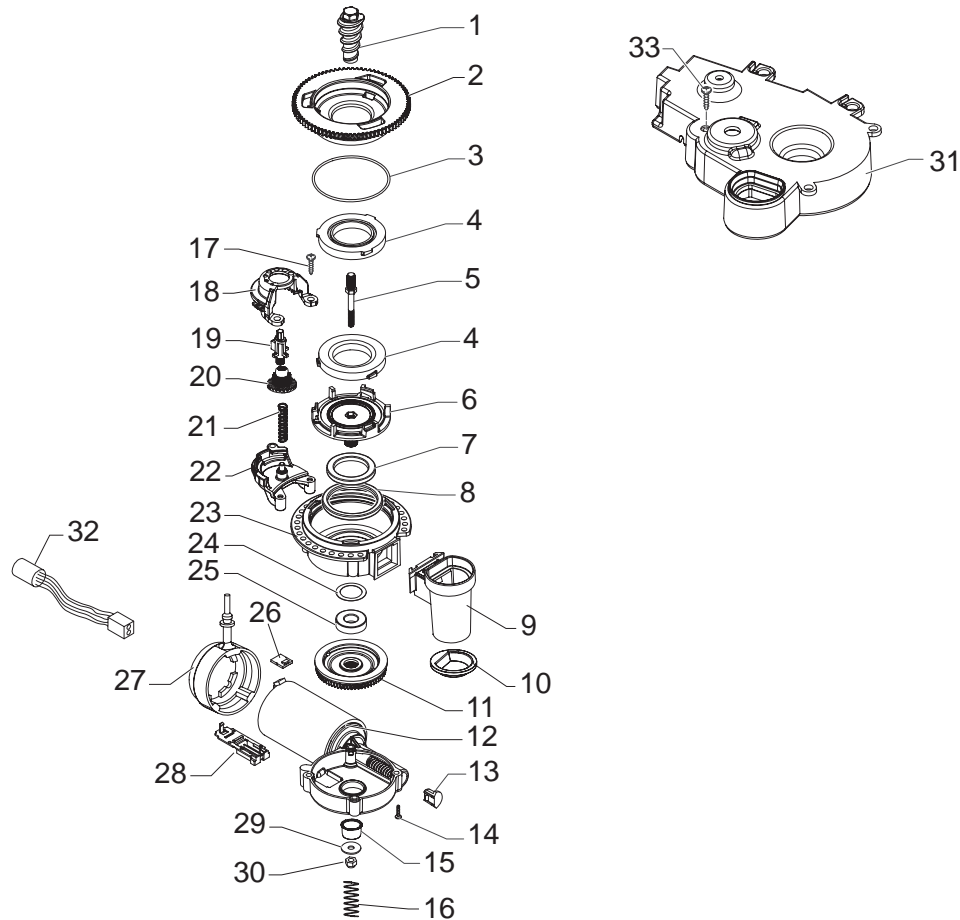
POS	CODE	DESCRIPTION	NOTE	POS	CODE	DESCRIPTION	NOTE
01	11007189	BLACK LEFT INSERT FOR STEAM TUBE G0053		36	12000005	ANTIDISTURB FILTER 10A FNC 1005474103P	230V
02	11006922	BLACK RIGHT INSERT FOR STEAM TUBE G0053		37	12000007	ANTIDISTURB FILTER 16A FNC 1610474472P	120V
03	129912202	SCREW TCB TORX T10 3X12 UNI 9786 ZN		38	11006022	BLACK FAUCET SUPPORT G0053	
04	11005991	ST. STEEL STEAM TUBE G0053 ASSY.		39	11001054	90°CONNECTOR PUMP OUTLET P0049/B	
05	11007194	BLACK STEAM TUBE HANDGRIP G0053		40	11006296	BLACK PUMP SUPPORT P0049 ASSY.	
06	11001620	PANNARELLO INTERNAL TUBE P0049		41	11001778	2POLES CONNECTOR PUMP P0049	230V
07	11001621	STAINLESS STEEL COVER PANNARELLO P0049			11005668	2POLES CONNECTOR PUMP P0049 UL	120V
08	11001630	MILK ISLAND DESCARGING WATER CONNECTION		42	140321961	OR 2031 IN TERMOL	
09	149360200	SILICONE TUBE 5X8 70SR IN ROLL		43	12000140	ULKA PUMP EP5/S GW	230V-50HZ
10	140321462	OR 2018 IN SILICONE			12000167	ULKA PUMP EP5/S GW	240V-50HZ
11	11000460	BLACK CONNECTOR FOR VALVE P0054			12000142	ULKA PUMP EAP5/S	120V-60HZ
12	126772618	SPRING FOR CREAM ADJUSTMENT VALVE		44	12000781	TURBINE D=1,2 932-8521/90 ASSY.	
13	11000461	INSERT FOR SAFETY VALVE P0054		45	JS01.022	SILICONE TUBE 5X10 60 SHORE IN ROLL	
14	12000892	OETIKER CLAMP D=9,5 16700004		46	11007550	6POLES CONNECTOR LEVEL-FLOWMETER G0053	
15	11000459	BLACK CONNECTOR FOR P0054		47	11000651	WATER LEVEL SENSOR BOARD PT124	
16	12000042	OR 108 IN VITON FDA 70 SH		48	11003670	BLACK TURBINE SUPPORT V2 P0049	
17	11001544	BLACK FAUCET CONNECTOR P0049		49	129573202	SCREW TCB PH/TT 4X8 UNI 8112 ZNP	
18	16000380	5X8,9 SILICONE TUBE IN ROLL		50	129932502	GALVANIZDE SELF DRILLING SCREW 5X30	
19	12000541	OR 2012 IN VITON FDA 70 SH		51	11005096	FORK SPRING FOR VALVE P0049	
20	11004134	TEA/BRASS FAUCET SHAFT P0049		52	U143.016	SCREW TORX TCB 3.5X9.5 BLACK	
21	11004842	TAP ELECTRONIC CARD P0049/P0053-V1 5V		53	129912702	SCREW PT TORX 3X10 WN 1411 GALVANIZ	
22	11001499	FORK SPRING FOR FAUCET P0049		54	11005284	BLACKBOILER CONNECTORS COVER P0049/P0053	
23	11001545	BLACK FAUCET CASING P0049		55	4332055000	SUPPORT FOR SPHERAL UNION	
24	11004135	PLAST/BRASS FAUCET SHAFT P0049 ASSY.		56	11000465	4POLE CONNECTOR FOR P0054	
25	NF11.052	OETIKER CLIP		57	16000170	WHITE BRAIDED SILICONE TUBE 3X6 IN ROL	
26	11001546	FAUCET STRAIGHT CONNECTOR P0049			11001549	PPA FAUCET P0049-P0053 ASSY. WITH PART. N°16-17-19-20-22-23-24-26	
27	11001332	SUPPORT FOR BOILER-FAUCET-VALVE P0049			11001543	BLOWDOWN VALVE P0049 230V ASSY.	
28	189428600	THERMOSTAT 175° 1NT-08L-5125			11005604	BLOWDOWN VALVE P0049 120V ASSY.	
29	11001751	THERMOSTATES SPRING FOR BOILER			11005751	BLOWDOWN VALVE P0049 100V ASSY.	
30	11001750	ALUM.BOILER/V3 ASSY.	230V-1300W		11009021	BLOWDOWN VALVE P0049 220V-60HZ ASSY. WITH PART. N°32-33-34-51	
	11005608	ALUM.BOILER/V3 ASSY.	120V-1300W		11005994	ALUM.BOILER G0053 230V ASSY.	COMPLETE
	11005609	ALUM.BOILER/V3 ASSY.	100V-1300W		11008845	ALUM.BOILER G0053 120V ASSY.	COMPLETE
31	190800100	TEMPERATURE SENSOR NTC UL L=280MM			11008846	ALUM.BOILER G0053 100V ASSY.	COMPLETE
32	20000591	BLOWDOWN VALVE CASING P0049 ASSY.					
33	20000592	BLOWDOWN VALVE CONNECTOR P0049 ASSY.					
34	20000590	BLOWDOWN VALVE COIL P0049 ASSY.	230V				
	20000680	BLOWDOWN VALVE COIL P0049 ASSY.	120V				
	20000681	BLOWDOWN VALVE COIL P0049 ASSY.	100V				
	20000920	BLOWDOWN VALVE COIL P0049 ASSY	220V-60HZ				
35	11002957	FAUCET SPRING P0049					

GAGGIA®

GAGGIA PLATINUM SWING

Rev. 00 - 03/09/07

TABLE 3/5


GAGGIA® SUP034NR

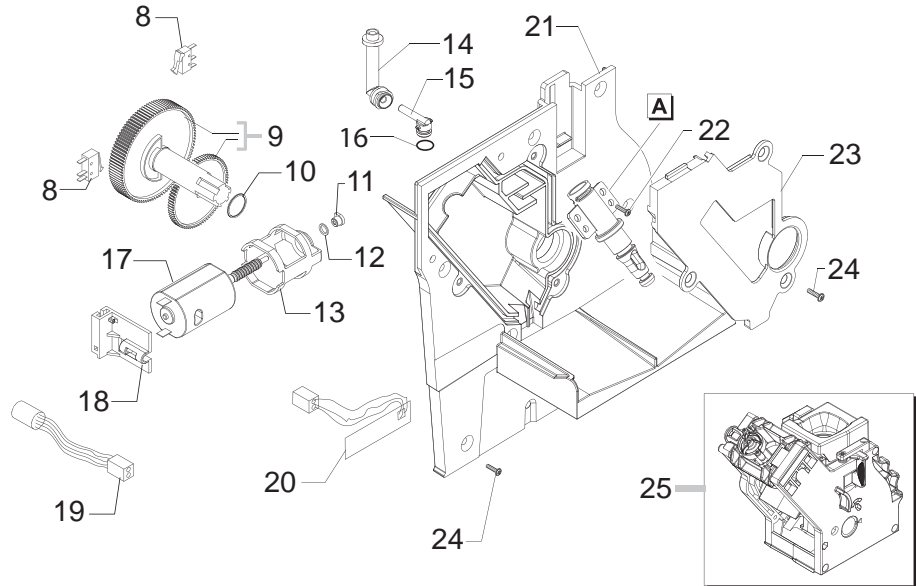
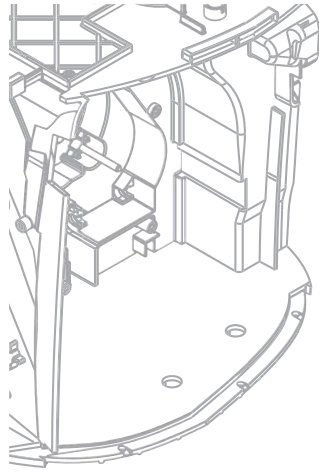
Cod. 10001706-1953-2008
Cod. 10002496-7-8-2512-4

POS	CODE	DESCRIPTION	NOTE	POS	CODE	DESCRIPTION	NOTE
01	9141.001	SCREW OF INCREMENT					
02	149198250	UPPER GRINDER SUPPORT COFFEEGRINDER					
03	140328960	NBR FDA OR METRIC 0530-15					
04	146520100	BAKED CLAY GRINDER 48X28					
05	127473603	STEEL PIN M4-M6 FOR INCREMENT SCREW					
06	149198350	LOWER GRINDER SUPPORT COFFEEGRINDER					
07	123030300	AXIAL BEARING EKKO 342.35252					
08	140360500	FELT RING 45,4X39,4X4					
09	222870250	GROUND COFFEE OUTLET CONVEYOR ASSY.					
10	145854462	GROUND COFFEE CONT.SEAL LOWER SMART1					
11	226000300	GEAR SX Z=38 FOR GRINDER MOTION ASSY.					
12	11000513	MOTOR COFFEEGRINDER/V3.1 DOMEL ASSY	230V				
	11000511	MOTOR COFFEEGRINDER/V3.1 DOMEL ASSY	120V				
	11000512	MOTOR COFFEEGRINDER/V3.1 DOMEL ASSY	100V				
13	149214800	CAP FOR WORM SCREW MC/V3 CENTRING					
14	129661702	PANELVIT TCB SCREW 3,5X25 D.7505 ZN					
15	11002873	INSULATOR BUSH FOR GRINDER MOTOR P124					
16	11000597	COFFEE GRINDER SUPPORT SPRING P124					
17	129660102	PANELVIT TCB SCREW 3,5X18 D.7505 Z					
18	11002508	UPPER GEAR SUPPORT COFFEEGRINDER P124					
19	11003446	BLACK INSERT FOR COFFEE GRINDER P0049					
20	11003784	COFFEE GRINDING ADJUSTMENT GEAR P0049					
21	11002572	GRINDER REGULATION SPRING P124					
22	11002613	LOWER GEAR SUPPORT COFFEEGRINDER P124					
23	149205450	SWITCH+SOCKET POWER CABL.SUPP.SMART					
24	128381800	CRINKLE WASHER 21,8X15,8X0,2					
25	123030200	RADIAL BEARING 61900.2RS1					
26	181540900	ELECTRONIC BOARD WITH SENSOR HAL506					
27	11001367	BLACK COFFEE GRINDER SUPPORT P0049					
28	149199050	SENSOR SUPPORT FOR COFF.GRIND.MOTOR					
29	128381902	GALVAN.FLAT WASH.DI=4,3 DE=14 SP=1,5					
30	123453102	SELF LOCK NUT M4 DIN 982 HIGH GALV.					
31	11001826	SOUNDPROOFING COVER FOR COFGRIND.P0053					
32	11003449	5POLES CONNECTOR MC SENSORS P0049	230V				
	11005658	5POLES CONNECTOR MC SENSORS P0049 UL	120V				
33	129661902	TCB SCREW 3,5X18 PLASTITE 45°					
	11001744	GENERAL MOTOR MC P0049 230V ASSY.					
	11005606	GENERAL MOTOR MC P0049 120V ASSY.					
	11005607	GENERAL MOTOR MC P0049 100V ASSY.					

GAGGIA®
GAGGIA PLATINUM SWING

Rev. 00 - 03/09/07

TABLE 4/5


GAGGIA® SUP034NR

Cod. 10001706-1953-2008
Cod. 10002496-7-8-2512-4

POS	CODE	DESCRIPTION	NOTE	POS	CODE	DESCRIPTION	NOTE
01	11005113	PIN V2 FOR BOILER P049/B ASSY.					
02	140324459	OR METRICO 0060-20 SILICON.PTFE/FDA					
03	11003820	CAP V2 FOR PIN BOILER P119					
04	140328059	OR 2015 IN SILICONE PTFE/FDA					
05	NM01.035	OR ORM 0090-20 SILICONE					
06	11003801	PIN V2 FOR BOILER P119					
07	NM01.057	OR ORM 0050-20 SILICONE					
08	NE05.038	MICROSWITCH					
09	20000900	SPARES KIT GEARS FOR RATIOMOTOR V2					
10	9161.132	MYLAR WASHER FOR RATIOMOTOR					
11	9121.046	SINTERED BUSH FOR MOTOR					
12	148380200	WASHER BAKELIZZATE D=5,5					
13	9121.044	ANTIVIBRATION FOR MOTOR					
14	11004086	VALVE DESCARGING WATER 90° CONNECTOR					
15	11003648	COVER DESCARGING WATER 90° CONNECTOR					
16	140325462	OR METRIC 0070-20 IN SILICONE					
17	11003037	MOTOR FOR RATIOMOTOR ASSY.					
18	11001331	BLACK MICROSW. SUPPORT DUMP BOX P0049					
19	11003661	REED SENSOR MK3-1A66-BV16451					
20	11007897	DRIP TRAY SENSOR COFFEE UNIT G0053 ASSY.					
21	11006337	BLACK COVER FOR MOUNTING PLATE P0049 AS.					
22	129661902	TCB SCREW 3,5X18 PLASTITE 45°					
23	11001312	BLACK COVER FOR VAIN BOILER P0049					
24	129914102	SCREW K 35X12 WN 1423 GALVANIZED					
25	11002145	BLACK BREW UNIT 8GR. P124/SBS VEDI COD. ESPLOSO E90042					

GAGGIA®
GAGGIA PLATINUM SWING

Rev. 00 - 03/09/07

TABLE 5/5