

GAGGIA® SUP034AR

CE Cod. 10001708-1955-2030
Cod. 10002483-4-5-2510-3

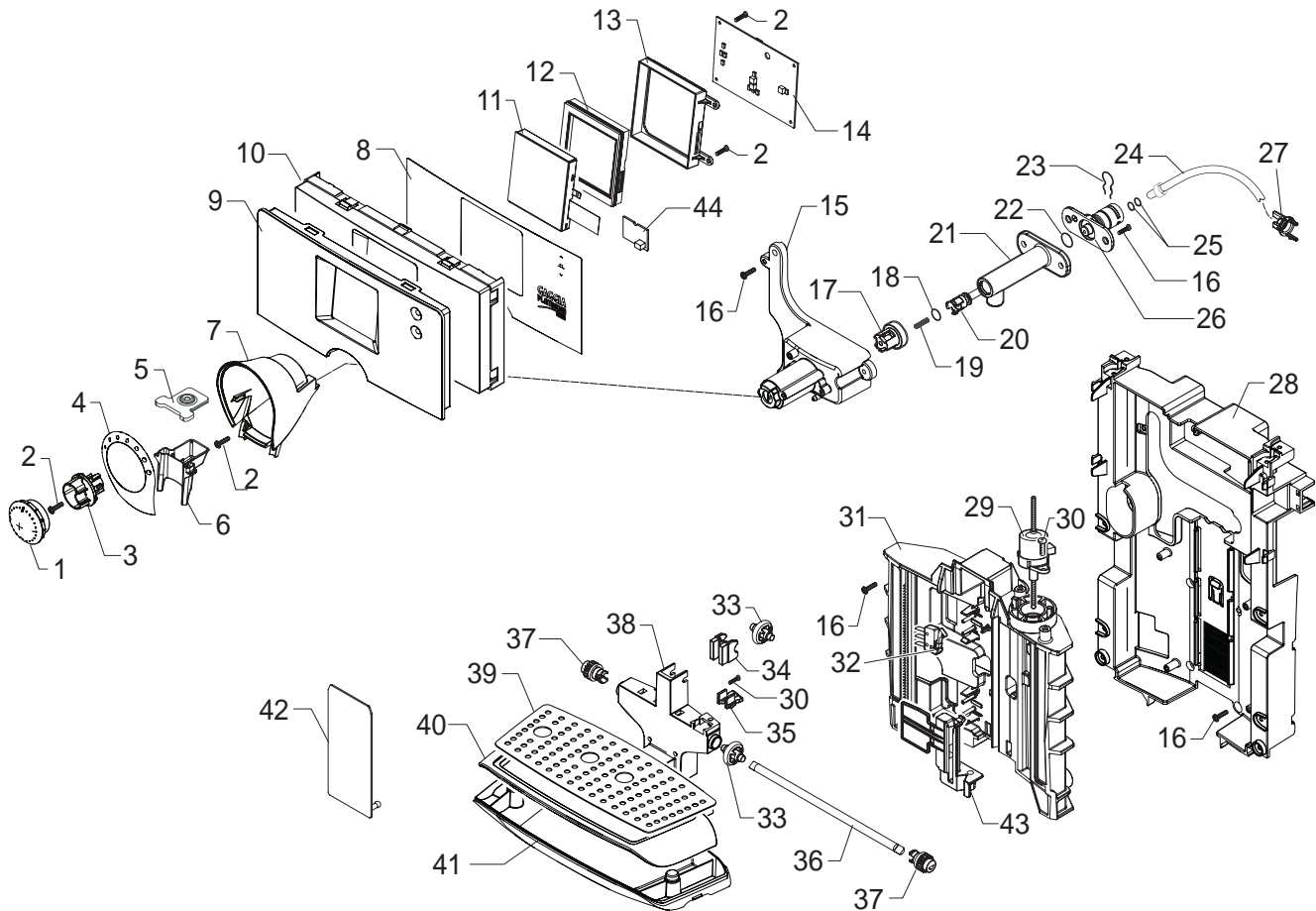
POS	CODE	DESCRIPTION	NOTE	POS	CODE	DESCRIPTION	NOTE
01	15001138	MANUAL INSTRUCTIONS GAGGIA G0053/D D/I		31	11004687	MOUNTING PLATE WITH PIN P0049 ASSY.	
	15001139	MANUAL INSTRUCTIONS GAGGIA G0053/D GB/F		32	12000280	CUP SOCKET EN 60320 C 13	
	15001140	MANUAL INSTRUCTIONS GAGGIA G0053/D E/P		33	U140.001	PANELVIT TCB 3,5X40 DIN 7505 B GAL	
	15001141	MANUAL INSTRUCTIONS GAGGIA G0053/D NL/PL		34	11007060	GENERAL SWITCH FOR P124	
	15001278	MANUAL INSTRUCTIONS GAGGIA G0053/D GB/P	ONLY BRAZIL	35	11000223	BLACK WHEEL FOR CASING BOTTOM P124	
02	146680850	BLACK COFFEE MEASURE SMART		36	11001339	TRANSPATE INFRAREDS PLATE P0049	
03	21000974	ACC GAG WATER FILTER 1 UNIT		37	129912702	SCREW PT TORX 3X10 WN 1411 GALVANIZ	
04	183911050	POWER CABLE SCHUKO BLACK L=1200MM		38	11007605	2POLES CONNECT. SENSOR REED DOOR G0053	
	183930650	PO.CABL.CH BLACK 3X1 H05VV-F L=1200MM		39	11003154	BLACK REED SENSOR SUPPORT P0049	
	183970350	BLACK POWER CABL. UK 3X1 H05VV-F L=1200MM		40	11007218	SILVER RIGHT SIDE CASING G0053	
	183940650	BLACK POW.CABLE AUST.3X1 H05VVF L=1200MM		41	11005046	BLACK INSIDE COVER DOOR G0053	
	183921950	POWER CABLE SJT3 USA BLACK UL L=1200MM		42	9161.111	MAGNET FOR FLOAT SUPERAUTOM.	
	183980650	POWER CABLE JAPPON VCTF BLACK L=1200 MM		43	11007292	SILVER/8002 ON-OFF BUTTON INSERT P0049	
	11004245	BLACK POW.CABL.BRAZIL W/CONNECT.L=1200MM		44	11004377	SILVER ON-OFF SWITCH BUTTON P0049	
	11003785	BLACK GRINDER ADJUSTMENT KEY P0049		45	11007266	SILVER/8002 DRIP TRAY COFFEE UNIT G0053	
05	11005044	SAECO KLUBER TRIBOSTAR SIL 2 TUBE 5GR.		46	11003533	BLACK DUMP BOX P0049 W/OUT S.CREEN ASSY.	
06	0301.961	WATER HARDNESS TEST		47	11007267	SILVER/8002 DOOR G0053	
08	11002017	TRANSPARENT WATER CONTAINER P0053 AS.		48	11001340	BLACK DOOR PIN P0049	
09	224640200	EXTERNAL FILTER FOR WATER CONTAINER AS.	WITN PART. N°10	49	11001362	SPRING FOR LOCK P0049	
10	140328461	EPDM OR METRIC 0190-10		50	11001360	PWR BOARD P0049/P0053	230V
11	11003672	SPRING FOR WATER CONTAINER VALVE P0049			11003968	PWR BOARD P0049/P0053	120V
12	11003673	GREY WATER CONTAINER VALVE INSERT P0049		51	140321461	OR 2018 IN EPDM	
13	11003671	TRANSP.VALVE FOR WATER CONTAINER P0049		52	11003821	BLACK CAP FOR CONNECTIONS P0049/P0053	
14	11001298	BLACK LID FOR DUCKBILL VALVE P0049		53	13000526	CARTON INSERT FOR BOX G0053	
15	11007305	SILV/8002 WATER TANK OUTLET COVER G0053					
16	11001668	NATURAL/GREY WATER CONTAINER LID P0053					
17	13000543	PS-E UPPER INSERT FOR BOX G0053					
18	13000533	PS-E LOWER INSERT FOR BOX G0053					
19	13000544	DISPLAY BOX G0053 GAGGIA PLATINUM					
20	11007195	NATUR/GREY BEAN COFF.CONT.LID G0053 ASSY					
21	11007261	SSTEEL CUPWARMING LID G0053/C-D ASS	230V				
	11008349	SSTEEL CUPWARMING LID G0053/C-D ASS	120V				
22	11008183	GREY SEAL FOR CUPWARMER G0053					
23	11002842	BLACK POWER BOARD PROTECTION P0049					
24	11007219	SILVER LEFT SIDE CASING G0053					
25	12000450	SCREW TORX T10 3,5X12 UNI9786 GALVANIZED					
26	11007262	SILVER/8002 WATER-STEAM KNOB G0053					
27	11008133	BEIGE FRONT CASING G0053/C-D ASSY.					
28	12000510	SCREW TORX T10 3,5X30 UNI9786 GALVANIZED					
29	11004799	NATUR/GREY GROUND COFF.CONT.CAP G0053					
30	11007217	SILVER COVER CASING G0053					

GAGGIA®

GAGGIA PLATINUM VISION

Rev. 00 - 03/09/07

TABLE 1/5



GAGGIA® SUP034AR



Cod. 10001708-1955-2030
Cod. 10002483-4-5-2510-3

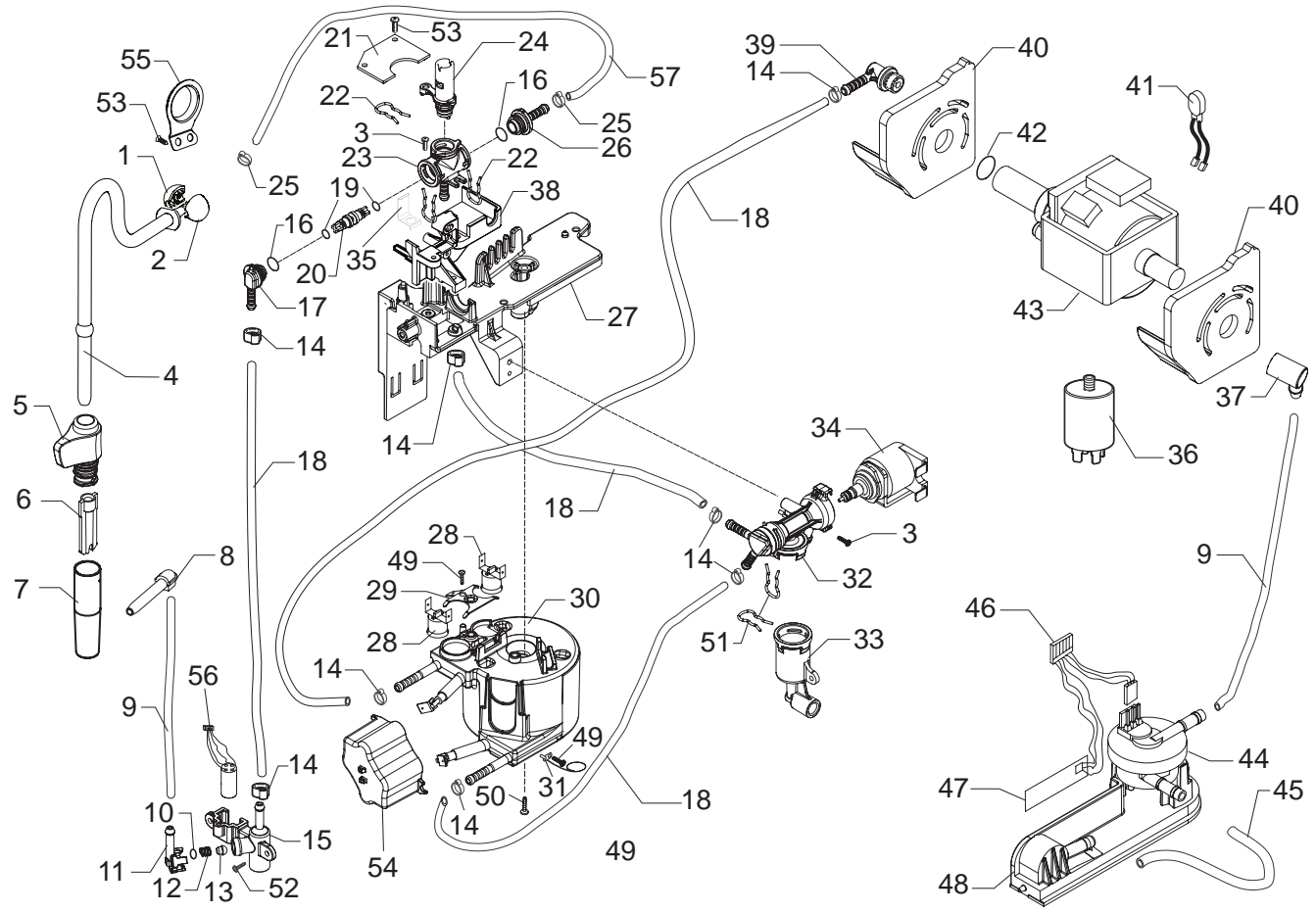
POS	CODE	DESCRIPTION	NOTE	POS	CODE	DESCRIPTION	NOTE
01	11007290	SILVER/8002 CREAM ADJUSTMENT KNOB G0053		42	11003399	SPECCHIATO DRIP TRAY PROTECTION P0053	
02	129912702	SCREW PT TORX 3X10 WN 1411 GALVANIZ		43	11002293	BLACK LOWER DRIP TRAY PROT.SUPPORT P124	
03	11007420	INTERNAL CONNECT.V2 FOR COFFEE DISPENS.		44	11006230	UP/DOWN AS.KEYBOARD G0053	
04	11007211	CHROM.FRONT COFF. DISPENSER COVER G0053					
05	11002111	BLACK CAP COFFEE DISPEN.HEAD BODY P0053					
06	11002049	BLACK COFFEE DISPENSER BODY P0053					
07	11007269	SILV/8002 REAR COFF.DISPENS.COVER G0053					
08	11006035	SILVER FRONT PANEL DISPLAY FILM G0053/D					
09	11004790	TRANSPARENT FRONT PANEL G0053/D					
10	11008205	BEIGE FRONT PANEL SUPPORT G0053/D					
11	12000163	DISPLAY VL 160160 P0053/D					
12	11002046	TRANSPARENT DISPLAY SUPP. SEAL P0053/D					
13	11002045	BLACK DISPLAY SUPPORT P0053/D					
14	11008085	CPU+SW AS.V2 P0053/D					
15	11005996	BLACK DISPENSING SUPPORT G0053					
16	12000450	SCREW TORX T10 3,5X12 UNI9786 GALVANIZED					
17	149198700	SUPPORT CREAM ADJUSTMENT SHAFT					
18	140326661	OR METRIC 0040-20 IN EPDM					
19	126772518	SPRING FOR CREAM ADJUSTMENT SHAFT					
20	140640200	CREAM ADJUSTMENT SHAFT					
21	11000290	BLACK COFFEE DISPENSER TUBE P124					
22	12000070	OR METRIC 0060-15 IN SILICONE					
23	9011.144	FORK FOR TUBE D.4					
24	11001766	TEFLON TUBE 2X4 L=125 MM ASSY.					
25	140328059	OR 2015 IN SILICONE PTFE/FDA					
26	11002130	FAST LOCK CONNECTOR FOR EROGATOR P0053					
27	11006504	BLACK TUBE TEFLON INSERT G0053					
28	11004741	BLACK DRIP TRAY GUIDE G0053					
29	12000065	SAIA UCL MOTOR FOR P124 MOBILE TRAY ASSY					
30	129911402	SCREW TCB TORX 3,5X8,5 BLAC.CLIPPED					
31	11002204	BLACK DRIP TRAY GUIDE P0053					
32	11007609	MICROSWITCH DRIP TRAY G0053 ASSY.					
33	11000113	BLACK WHELL FOR DRIP TRAY SUPPORT P124					
34	11000224	INSERT FOR ADJUSTMENT TRAY WHEEL P124					
35	11000115	FIXING PLATE FOR FEEDING SCREW P124					
36	11000586	MOBILE DRIP TRAY GEARS SHAFT P124					
37	11000081	GEAR Z=17 FOR MOBILE TRAY SUPPORT P124					
38	11004794	CARBONA DRIP TRAY SUPPORT G0053					
39	11004773	SB/STAINLESS STEEL GRATE G0053					
40	11007213	CHROMATED SUPP. GRATE DRIP TRAY G0053					
41	11008882	SILVER/8002 DRIP TRAY G0053 ASSY.					

GAGGIA®

GAGGIA PLATINUM VISION

Rev. 00 - 03/09/07

TABLE 2/5



GAGGIA® SUP034AR



Cod. 10001708-1955-2030
Cod. 10002483-4-5-2510-3

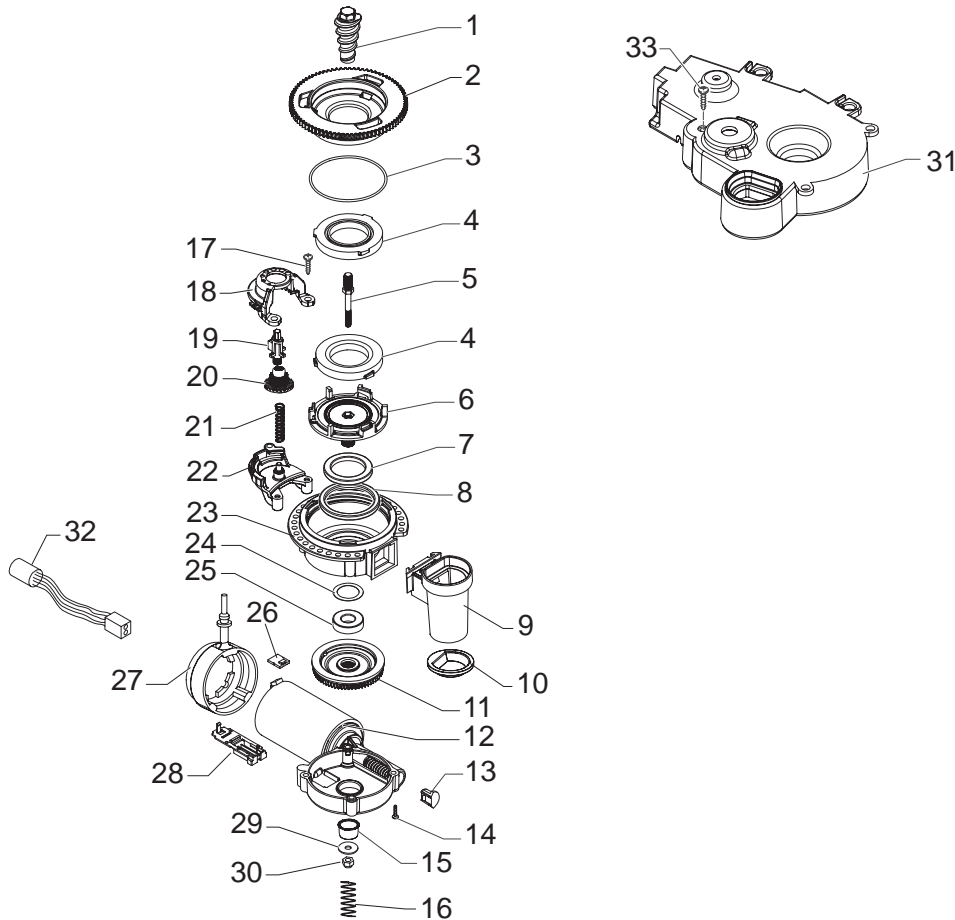
POS	CODE	DESCRIPTION	NOTE	POS	CODE	DESCRIPTION	NOTE
01	11007189	BLACK LEFT INSERT FOR STEAM TUBE G0053		36	12000005	ANTIDISTURB FILTER 10A FNC 1005474103P	230V
02	11006922	BLACK RIGHT INSERT FOR STEAM TUBE G0053			12000007	ANTIDISTURB FILTER 16A FNC 1610474472P	120V
03	129912202	SCREW TCB TORX T10 3X12 UNI 9786 ZN		37	147920150	90°CONNECTOR PUMP INLET	
04	11005991	ST. STEEL STEAM TUBE G0053 ASSY.		38	11006022	BLACK FAUCET SUPPORT G0053	
05	11007194	BLACK STEAM TUBE HANDGRIP G0053		39	11001054	90°CONNECTOR PUMP OUTLET P0049/B	
06	11001620	PANNARELLO INTERNAL TUBE P0049		40	11006296	BLACK PUMP SUPPORT P0049 ASSY.	
07	11001621	STAINLESS STEEL COVER PANNARELLO P0049		41	11001778	2POLES CONNECTOR PUMP P0049	230V
08	11001630	MILK ISLAND DESCARGING WATER CONNECT.			11005668	2POLES CONNECTOR PUMP P0049 UL	120V
09	149360200	SILICONE TUBE 5X8 70SR IN ROLL		42	140321961	OR 2031 IN TERMOIL	
10	140321462	OR 2018 IN SILICONE		43	12000140	ULKA PUMP EP5/S GW	230V-50HZ
11	11000460	BLACK CONNECTOR FOR VALVE P0054			12000167	ULKA PUMP EP5/S GW	240V-50HZ
12	126772618	SPRING FOR CREAM ADJUSTMENT VALVE			12000142	ULKA PUMP EAP5/S	120V-60HZ
13	11000461	INSERT FOR SAFETY VALVE P0054			12000130	ULKA PUMP EP5/S GW	100V-50/60HZ
14	12000892	OETIKER CLAMP D=9,5 16700004		44	12000781	TURBINE D=1,2 932-8521/90 ASSY.	
15	11000459	BLACK CONNECTOR FOR P0054		45	JS01.022	SILICONE TUBE 5X10 60 SHORE IN ROLL	
16	12000042	OR 108 IN VITON FDA 70 SH		46	11007550	6POLES CONNECT. LEVEL+FLOWMETER G0053	
17	11001544	BLACK FAUCET CONNECTOR P0049		47	11000651	WATER LEVEL SENSOR BOARD P124	
18	16000380	5X8,9 SILICONE TUBE IN ROLL		48	11003670	BLACK TURBINE SUPPORT V2 P0049	
19	12000541	OR 2012 IN VITON FDA 70 SH		49	129573202	SCREW TCB PH/TT 4X8 UNI 8112 ZNP	
20	11004134	TEA/BRASS FAUCET SHAFT P0049		50	129932502	GALVANIZDE SELF DRILLING SCREW 5X30	
21	11004842	TAP ELECTRONIC CARD P0049/P0053-V1 5V		51	11005096	FORK SPRING FOR VALVE P0049	
22	11001499	FORK SPRING FOR FAUCET P0049		52	U143.016	SCREW TORX TCB 3,5X9,5 BLACK	
23	11001545	BLACK FAUCET CASING P0049		53	129912702	SCREW PT TORX 3X10 WN 1411 GALVANIZ	
24	11004135	PLAST/BRASS FAUCET SHAFT P0049 ASSY.		54	11005284	BLACK/BOILER CONNECT. COVER P0049/P0053	
25	NF11.052	OETIKER CLIP		55	4332055000	SUPPORT FOR SPHERAL UNION	
26	11001546	FAUCET STRAIGHT CONNECTOR P0049		56	11000465	4POLE CONNECTOR FOR P0054	
27	11001332	SUPPORT FOR BOILER-FAUCET-VALVE P0049		57	16000170	WHITE BRAIDED SILICON TUBE 3X6 IN ROL	
28	189428600	THERMOSTAT 175° INT-08L-5125					
29	11001751	THERMOSTATES SPRING FOR BOILER		11001549		PPA FAUCET P0049-P0053 ASSY. WITH PART. N°16-17-19-20-22-23-24-26	
30	11001750	ALUM.BOILER/V3 ASSY.	230V-1300W				
	11005608	ALUM.BOILER/V3 ASSY.	120V-1300W				
	11005609	ALUM.BOILER/V3 ASSY.	100V-1300W				
31	190800100	TEMPERATURE SENSOR NTC UL L=280MM		11001543		BLOWDOWN VALVE P0049 230V ASSY.	
32	20000591	BLOWDOWN VALVE CASING P0049 ASSY.		11005604		BLOWDOWN VALVE P0049 120V ASSY.	
33	20000592	BLOWDOWN VALVE CONNECTOR P0049 ASSY.		11005751		BLOWDOWN VALVE P0049 100V ASSY.	
34	20000590	BLOWDOWN VALVE COIL P0049 ASSY.	230V	11009021		BLOWDOWN VALVE P0049 220V-60HZ ASSY. WITH PART. N°32-33-34-51	
	20000680	BLOWDOWN VALVE COIL P0049 ASSY.	120V				
	20000681	BLOWDOWN VALVE COIL P0049 ASSY.	100V	11005994		ALUM.BOILER G0053 230V ASSY.	COMPLETE
	20000920	BLOWDOWN VALVE COIL P0049 ASSY	220V-60HZ	11008845		ALUM.BOILER G0053 120V ASSY.	COMPLETE
35	11002957	FAUCET SPRING P0049		11008846		ALUM.BOILER G0053 100V ASSY.	COMPLETE

GAGGIA®

GAGGIA PLATINUM VISION

Rev. 00 - 03/09/07

TABLE 3/5


GAGGIA® SUP034AR

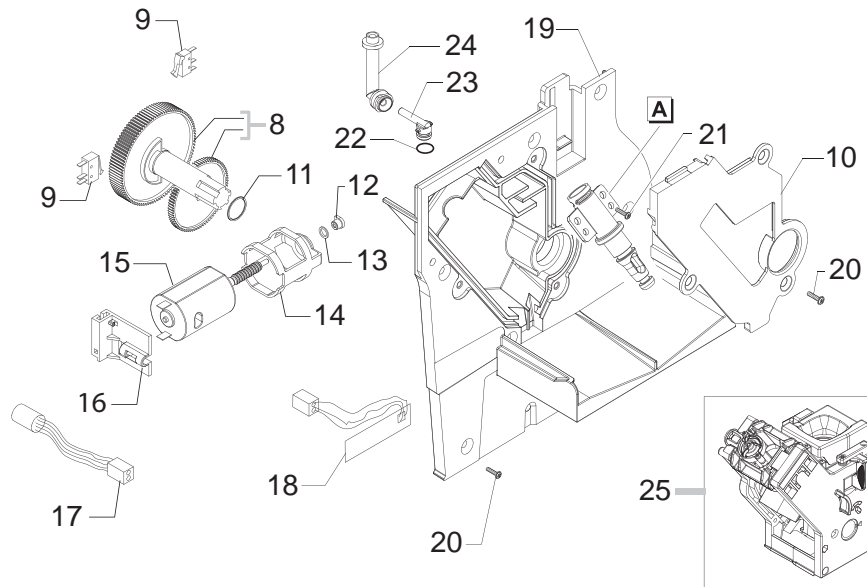
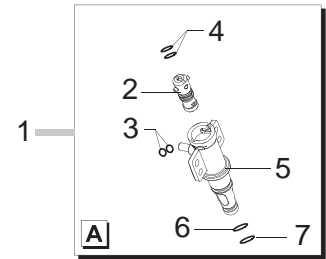
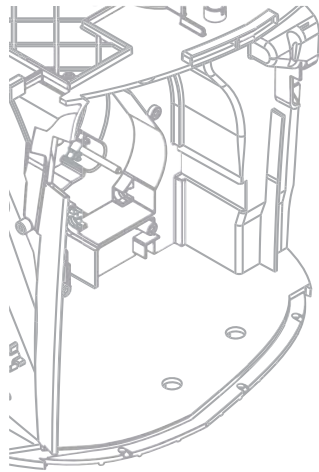
Cod. 10001708-1955-2030
Cod. 10002483-4-5-2510-3

POS	CODE	DESCRIPTION	NOTE	POS	CODE	DESCRIPTION	NOTE
01	9141.001	SCREW OF INCREMENT					
02	149198250	UPPER GRINDER SUPPORT COFFEEGRINDER					
03	140328960	NBR FDA OR METRIC 0530-15					
04	146520100	BAKED CLAY GRINDER 48X28					
05	127473603	STEEL PIN M4-M6 FOR INCREMENT SCREW					
06	149198350	LOWER GRINDER SUPPORT COFFEEGRINDER					
07	123030300	AXIAL BEARING EKKO 342.35252					
08	140360500	FELT RING 45,4X39,4X4					
09	222870250	GROUND COFFEE OUTLET CONVEYOR ASSY.					
10	145854462	GROUND COFFEE CONT.SEAL LOWER SMART1					
11	226000300	GEAR SX Z=38 FOR GRINDER MOTION ASSY.					
12	11000513	MOTOR COFFEEGRINDER/V3.1 DOMEL ASSY	230V				
	11000511	MOTOR COFFEEGRINDER/V3.1 DOMEL ASSY	120V				
	11000512	MOTOR COFFEEGRINDER/V3.1 DOMEL ASSY	100V				
13	149214800	CAP FOR WORM SCREW MC/V3 CENTRING					
14	129661702	PANELVIT TCB SCREW 3,5X25 D.7505 ZN					
15	11002873	INSULATOR BUSH FOR GRINDER MOTOR P124					
16	11000597	COFFEE GRINDER SUPPORT SPRING P124					
17	129660102	PANELVIT TCB SCREW 3,5X18 D.7505 Z					
18	11002508	UPPER GEAR SUPPORT COFFEEGRINDER P124					
19	11003446	BLACK INSERT FOR COFFEE GRINDER P0049					
20	11003784	COFFEE GRINDING ADJUSTMENT GEAR P0049					
21	11002572	GRINDER REGULATION SPRING P124					
22	11002613	LOWER GEAR SUPPORT COFFEEGRINDER P124					
23	149205450	SWITCH+SOCKET POWER CABL.SUPP.SMART					
24	128381800	CRINKLE WASHER 21,8X15,8X0,2					
25	123030200	RADIAL BEARING 61900.2RS1					
26	181540900	ELECTRONIC BOARD WITH SENSOR HAL506					
27	11001367	BLACK COFFEE GRINDER SUPPORT P0049					
28	149199050	SENSOR SUPPORT FOR COFF.GRIND.MOTOR					
29	128381902	GALVAN.FLAT WASH.DI=4,3 DE=14 SP=1,5					
30	123453102	SELF LOCK NUT M4 DIN 982 HIGH GALV.					
31	11001826	SOUNDPROOFING COVER FOR COFGRIND.P0053					
32	11003449	5POLES CONNECTOR MC SENSORS P0049	230V				
	11005658	5POLES CONNECTOR MC SENSORS P0049 UL	120V				
33	129661902	TCB SCREW 3,5X18 PLASTITE 45°					
	11001744	GENERAL MOTOR MC P0049 230V ASSY.					
	11005606	GENERAL MOTOR MC P0049 120V ASSY.					
	11005607	GENERAL MOTOR MC P0049 100V ASSY.					

GAGGIA®
GAGGIA PLATINUM VISION

Rev. 00 - 03/09/07

TABLE 4/5


GAGGIA® SUP034AR

Cod. 10001708-1955-2030
Cod. 10002483-4-5-2510-3

POS	CODE	DESCRIPTION	NOTE	POS	CODE	DESCRIPTION	NOTE
01	11005113	PIN V2 FOR BOILER P049/B ASSY.					
02	11003820	CAP V2 FOR PIN BOILER P119					
03	140328059	OR 2015 IN SILICONE PTFE/FDA					
04	140324459	OR METRICO 0060-20 SILICON.PTFE/FDA					
05	11003801	PIN V2 FOR BOILER P119					
06	NM01.035	OR ORM 0090-20 SILICONE					
07	NM01.057	OR ORM 0050-20 SILICONE					
08	20000900	SPARES KIT GEARS FOR RATIOMOTOR V2					
09	NE05.038	MICROSWITCH					
10	11001312	BLACK COVER FOR VAIN BOILER P0049					
11	9161.132	MYLAR WASHER FOR RATIOMOTOR					
12	9121.046	SINTERED BUSH FOR MOTOR					
13	148380200	WASHER BAKELIZZATE D=5,5					
14	9121.044	ANTIVIBRATION FOR MOTOR					
15	11003037	MOTOR FOR RATIOMOTOR ASSY.					
16	11001331	BLACK MICROSW. SUPPORT DUMP BOX P0049					
17	11003661	REED SENSOR MK3-1A66-BV16451					
18	11007897	DRIP TRAY SENSOR COFFEE UNIT G0053 ASSY.					
19	11006337	BLACK COVER FOR MOUNTING PLATE P0049 AS.					
20	129914102	SCREW K 35X12 WN 1423 GALVANIZED					
21	129661902	TCB SCREW 3,5X18 PLASTITE 45°					
22	140325462	OR METRIC 0070-20 IN SILICONE					
23	11003648	COVER DESCARGING WATER 90° CONNECTOR					
24	11004086	VALVE DESCARGING WATER 90° CONNECTOR					
25	11002145	BLACK BREW UNIT 8GR. P124/SBS SEE COD. EXPL. E90042					

GAGGIA®
GAGGIA PLATINUM VISION

Rev. 00 - 03/09/07

TABLE 5/5