

PHILIPS

Saeco

HD8644/01 HD8645/01-09
HD8645/47-57
HD8646/01



Cod.882864401870-882864501010-882864509300
Cod.882864547540-882864557540
Cod.882864601870

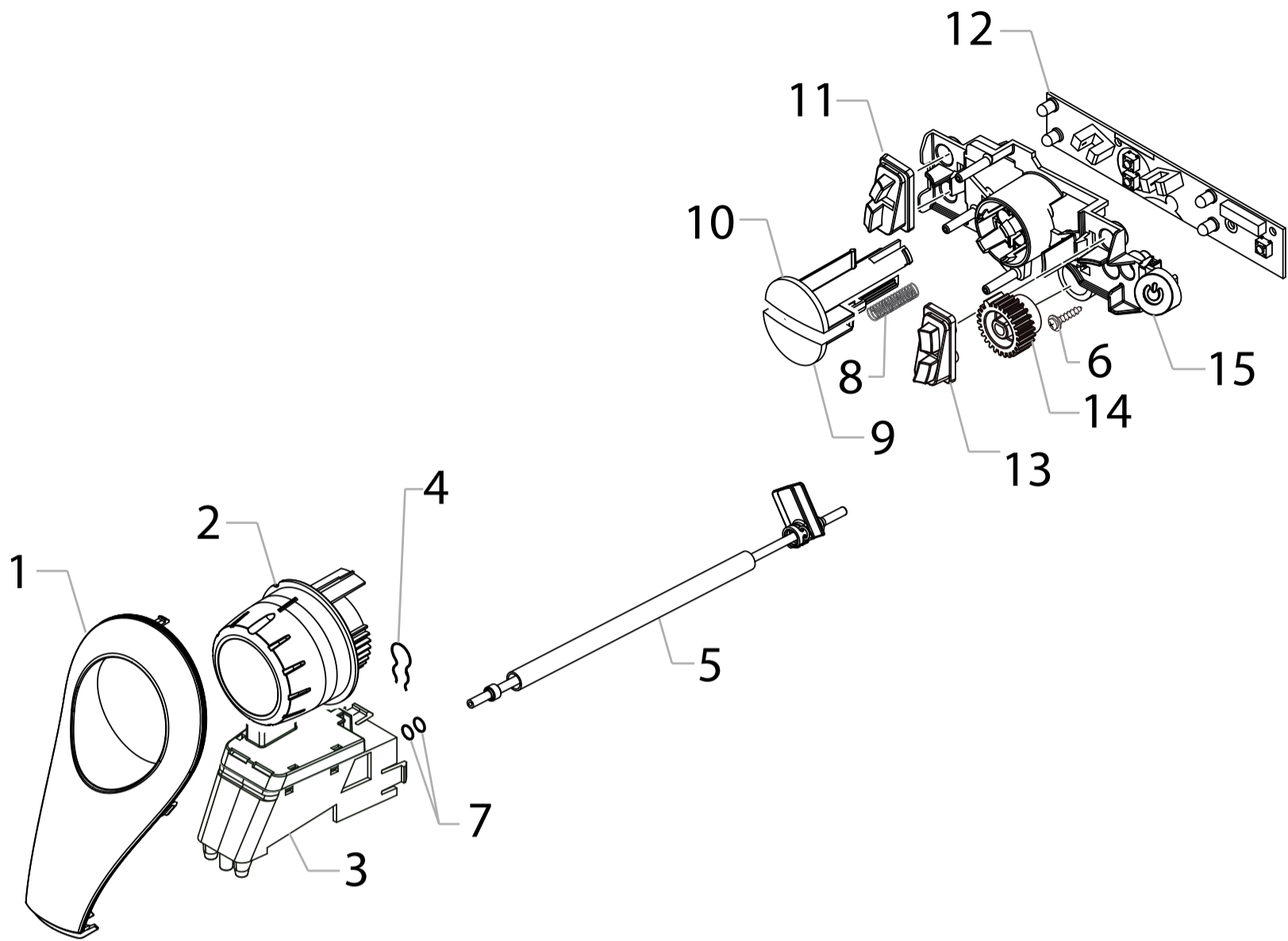
POS	CODE	12NC	DESCRIPTION	NOTE	POS	CODE	12NC	DESCRIPTION	NOTE
01		421941306662	CPU+SW XS4 V2 ASSY	230V	21	11013709	996530006833	3POLES CONNECTOR WATER LEVEL XSM UL	
		421941307261	CPU+SW XS4 PHILIPS ASSY.	120V	22		421944023221	SS DRIP TRAY GRATE XS4	
			HD8645/47-57		23		421944032571	RED/BLK FLOAT FOR DRIP TRAY XS4	
02	12001728	996530070321	SCREW TCBR TORX 10 3,5X12 PLAST.SS		24		421944033791	BLK DRIP TRAY XS4	
03	11004139	996530002081	BLACK HINGE FOR DOOR P0057				421944031141	BEIS DRIP TRAY XS4	
04		421946001591	BLK POWER CABLE SCHUKO L=800					HD8645/57	
	183921950	996530025843	POWER CABLE SJT3 USA BLACK UL L=1200		25		421944026451	TRANSP.BEAN COF.CONTAINER LID P0057	
			HD8645/47-57		26	12000450	996530007819	SCREW TCBR TORX 10 3,5X12 PLAST.ZN-N	
05	11003785	996530001908	BLACK GRINDER ADJUSTMENT KEY P0049		27	128382002	996530012376	FLAT WASH.DI=3,7 DE=11 SP=0,8 GALV.	
06	11014306	996530007065	BLACK WATER CONTAINER FRONT COVER P0057		28	12001890	996530073209	MICROSWITCH XG/V3D	
		421944031921	BEIS WATER CONT.FRONT COVER XS4		29	20006888	996530067705	KIT TYPE "A" PS-E INSERT FOR BOX P0057	
			HD8645/57		30	12001883	996530072437	CUP SOCKET V3 EN 60320 C 13	
07		421944056281	NAT/GRY WATER CONTAINER V2 P0057 ASSY		31	11014308	996530007067	BLACK DUMP BOX P0057	
08	224640200	996530029115	WHITE WATER CONTAINER EXT.FILTER ASSY.				421944031941	BEIS DUMP BOX XS4	
09	140328461	996530013571	OR ORM 0190-10 EPDM					HD8645/57	
10	11003672	996530001831	SS SPRING FOR WATER CONTAIN.VALVE P0049		32	147622800	996530016875	TRANSPARENT SILICONE FOOT	
11		421944040071	BLK WATER CONT.VALVE INSERT V2 P0049		33		421944026331	INK DOOR P0057	
			FROM S.N. TW901603030768				421944031971	WHIS DOOR XS4	
12		421944040781	BLK GASKET FOR WATER CONT.VALVE V2 P0049					HD8645/57	
			FROM S.N. TW901603030768		34	11005128	996530002766	16POLES CPU-USER INTERF.FLAT CABLE P0057	
13		421944040061	BLK LID FOR WATER CONT.VALVE V2 P0049		35		421944050251	MANUAL SAE HD8645 XS4 EN-FR-ES (USA)	
			FROM S.N. TW901603030768					HD8645/47-57	
14		421944033811	BLK UP.COVER CASING S/SCR.XS4/B		36		421941308821	KIT SP.COMPONENTS WATER CONTAINERS ASSY	
		421944031081	BEIS UP.COVER CASING S/SCR.XS4/B					UP TO S.N. TW901603030767	
			HD8645/57						
15	17000064	996530067437	BLK CAPACIT.SENSOR DEADLOCK INSERT XSM						
16	11021366	996530007087	BLACK UPPER COVER CASING CAP P0057						
		421944031871	BEIS UPPER COVER CASING CAP P0057						
			HD8645/57						
17		421941306721	CPU+SW WATER LEVEL SENSOR V3 ASSY.						
18		421944026341	INK LEFT SIDE COVER P0057						
		421944031991	WHIS LEFT SIDE COVER XS4						
			HD8645/57						
19		421944028181	DISPL.BOX SAE XSMALL PURO/VAP.						
		421944056341	DISPL.BOX SAE XSMALL VAPORE HD8645/47						
		421944056351	DISPL.BOX SAE XSMALL VAPORE HD8645/57						
20	129913202	996530013156	SCREW TCB TORX 10 3X8 PLAST.ZN-B						

PHILIPS

Saeco

XSMALL VAPORE

TABLE 1/6



PHILIPS

Saeco

HD8644/01 HD8645/01-09
HD8645/47-57
HD8646/01



Cod.882864401870-882864501010-882864509300
Cod.882864547540-882864557540
Cod.882864601870

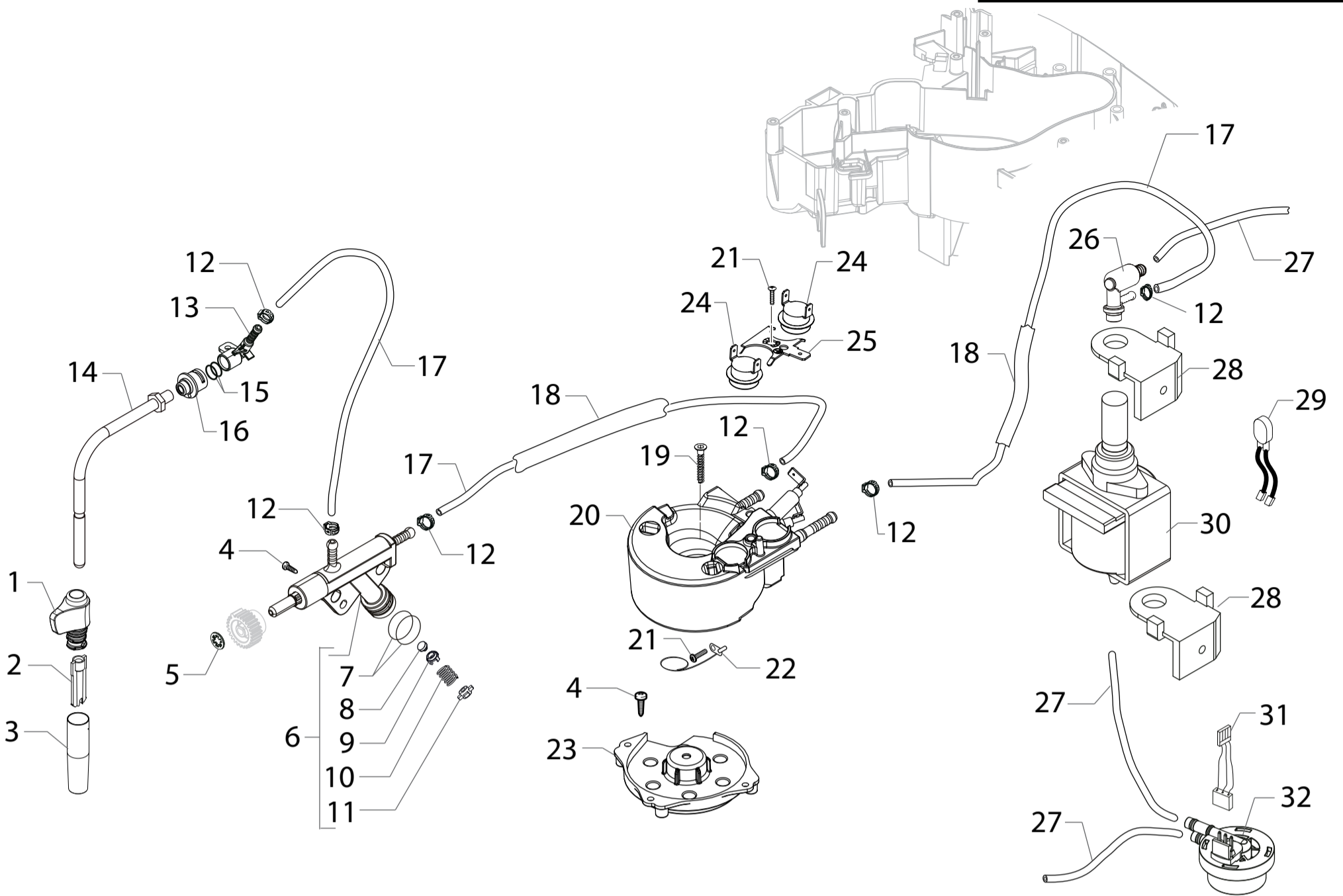
POS	CODE	12NC	DESCRIPTION	NOTE	POS	CODE	12NC	DESCRIPTION	NOTE
01		421944034171	BLK CONTR.KNOB COVER S/SCR.XS4/B						
		421944031861	GCAS CONTR.KNOB COVER S/SCR.XS4/B						
			HD8645/57						
02	11021457	996530007106	BLACK CONTROL KNOB V2 N/S/SCR.P0057						
		421944031961	GCAS CONTROL KNOB V2 N/S/SCR.P0057						
			HD8645/57						
03	11011280	996530006014	BLACK COFFEE DISPENSER P0057 ASSY.						
04	9011.144	996530048885	SS FORK FOR TUBE D=4						
05	11031203	996530073357	TEFL.TUBE 2X4 L=235+PLATE+2BUSH NPR ASSY						
06	12000450	996530007819	SCREW TCBR TORX 10 3,5X12 PLAST.ZN-N						
07	140328059	996530013564	OR 2015 SILICONE PTFE/FDA						
08	11008956	996530005133	SS DOOR LOCK SPRING G0053						
09		421944033971	BLK COF.BUTTON S/SC.BIG CUP V2 XS4/B						
		421944033981	GCAS COF.BUTTON S/SC.BIG CUP V2 XS4/B						
			HD8645/57						
10		421944033941	BLK COF.BUTTON S/SC.SMALL CUP XS4/B						
		421944033951	GCAS COF.BUTTON S/SC.SMALL CUP V2 XS4/B						
			HD8645/57						
11	11014222	996530007046	TRANSP.LEFT GUIDE LIGHT V2 P0057						
12		421941306641	KYB BOARD XS4/B						
13	11013012	996530006584	TRANSP/PMMA RIGHT GUIDE LIGHT P0057						
14	11004120	996530002059	WHITE STEAM/WATER GEAR Z=26 P0057						
15		421944026031	TRANSP.TOUCH PANEL S/SCR.XS4						

PHILIPS

Saeco

XSMALL VAPORE

TABLE 2/6



PHILIPS

Saeco

HD8644/01 HD8645/01-09
HD8645/47-57
HD8646/01



Cod.882864401870-882864501010-882864509300
Cod.882864547540-882864557540
Cod.882864601870

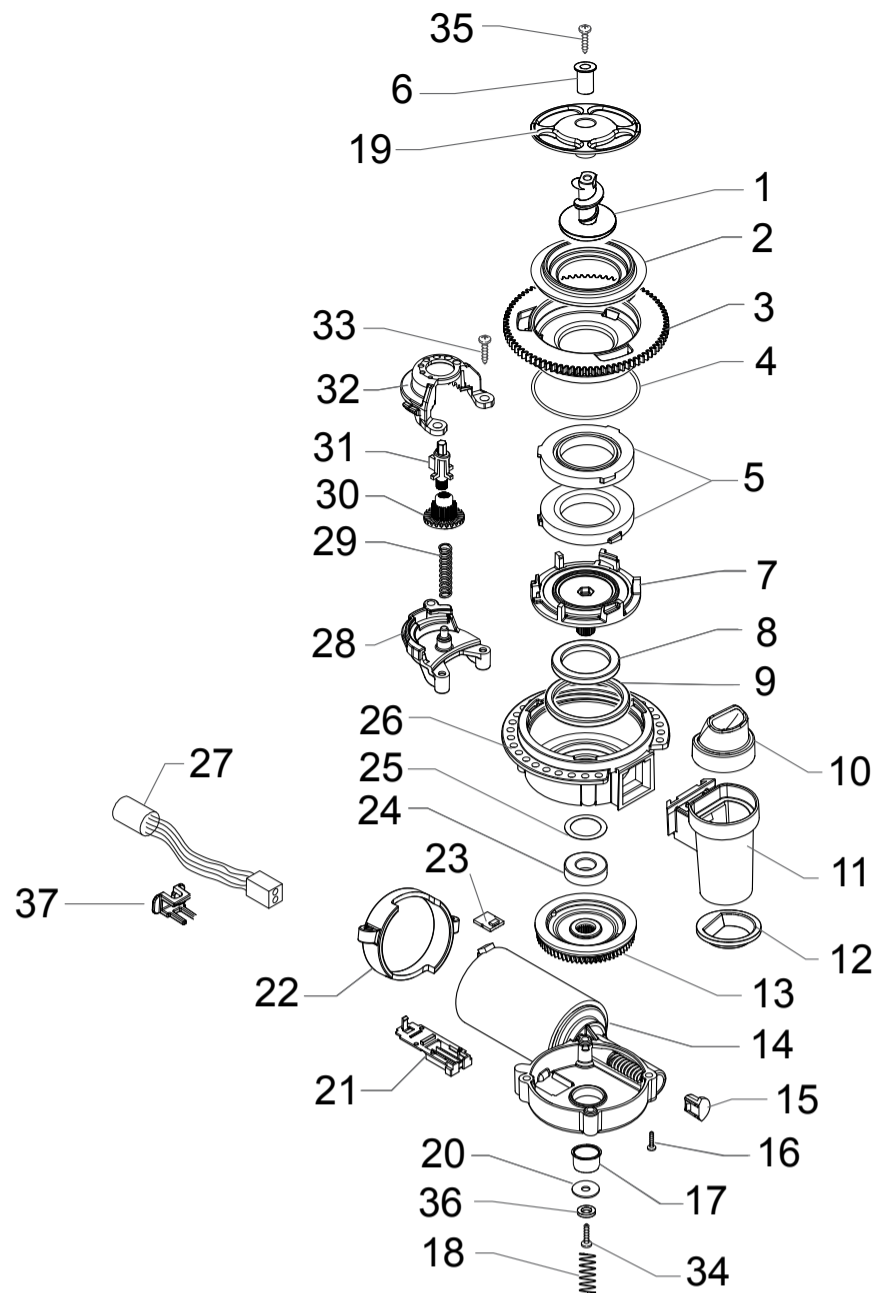
POS	CODE	12NC	DESCRIPTION	NOTE	POS	CODE	12NC	DESCRIPTION	NOTE
01		421941300671	BLK/SIL.STEAM TUBE HANDGRIP G0053						
02	11001620	996530000925	BLACK PANNARELLO INNER TUBE P0049				421944025601	GEN.TUB.BOILER XS4 1300W 230V ASSY.	230V-1300W
03	11001769	996530001012	BLACK PANNARELLO COVER P0049					WITH PART.N°20-21-22-24-25	
	11001621	996530000926	STAINLESS STEEL PANNARELLO COVER P0049	HD8646/01			421944046141	GEN.TUB.BOILER XS4 ASSY.	120V-1300W
04	12000450	996530007819	SCREW TCBR TORX 10 3,5X12 PLAST.ZN-N					HD8645/47-57	
05	128210600	996530012336	ELASTIC WASHER FOR SHAFT D=6MM						
06	11012381	996530006383	FLOW SELECTOR FAUCET V2 P0057						
07	12000893	996530007948	OR ORM 0120-20 BLACK EPDM						
08	11008104	996530004722	MUSHROOM VALVE FOR FLOW SELECTOR P0057						
09	11008105	996530004723	FLOW SELECTOR VALVE SUPPORT P0057						
10	11008077	996530004709	STEEL FLOW SELECTOR VALVE SPRING P0057						
11	11008106	996530004724	FLOW SELECTOR VALVE CAP P0057						
12	12000892	996530007947	OETIKER CLAMP D=9,5 16700004						
13		421944028161	STEAM TUBE SUPPORT PPS P0057						
14	11012972	996530006576	TF/CHROM.STEAM TUBE V2 P0057 ASSY.						
15	140324461	996530013509	OR ORM 0060-20 TERMOIL						
16	11011127	996530005979	BLACK PA6 BUSH FOR STEAM TUBE P0057						
17	16000380	996530009505	5X8,9 SILICONE TUBE	IN ROLL					
18	16000540	996530009523	TRANSPAR.11X12,8 SILICONE TUBE	IN ROLL					
19	12001280	996530008024	SCREW TSP TORX 10 5X20 PLAST.ZN-B						
20		421944024121	TUB.BOILER XS4 ASSY.	230V-1300W					
		421944046121	TUB.BOILER XS4 ASSY.	120V-1300W					
			HD8645/47-57						
21	12001715	9965300069758	SCREW TCB TORX 20 M4X8 AUTOFORMING ZN-B						
22	190800100	996530026997	TEMPERATURE SENSOR NTC UL L=280MM						
23		421941215942	BLK SLIM/EXSL TUB.BOILER SUPPORT V2						
24	12001033	996530007973	THERMOSTAT ONE SHOT 190°						
25	11001751	996530000997	TUB.BOILER V3 UPPER THERM.FIXING SPRING						
26	11024863	9965300068178	L-F/BR.SAFETY VALVE 16-18 BAR ASSY.						
27	JS01.022	996530057357	SILICONE TUBE 5X10 60SH	IN ROLL					
28	149205850	996530018056	BLACK TYPE ULKA PUMP W/BEVEL SUPPORT						
29	11009747	996530005496	2POLES CONNECTOR PUMP P0057 UL						
30		421941305991	ULKA PUMP EP5FMGW	230V-50HZ					
	12000142	996530007754	ULKA PUMP EAP5/S	120V-60HZ					
			HD8645/47-57						
31	11005948	996530003241	3POLES CONNECTOR FLOWMETER P0057						
32	NV99.099	996530059843	TURBINE D=1,2 932-8521/00 ASSY.						

PHILIPS

Saeco

XSMALL VAPORE

TABLE 3/6



PHILIPS

Saeco

HD8644/01 HD8645/01-09
 HD8645/47-57
 HD8646/01



Cod.882864401870-882864501010-882864509300
 Cod.882864547540-882864557540
 Cod.882864601870

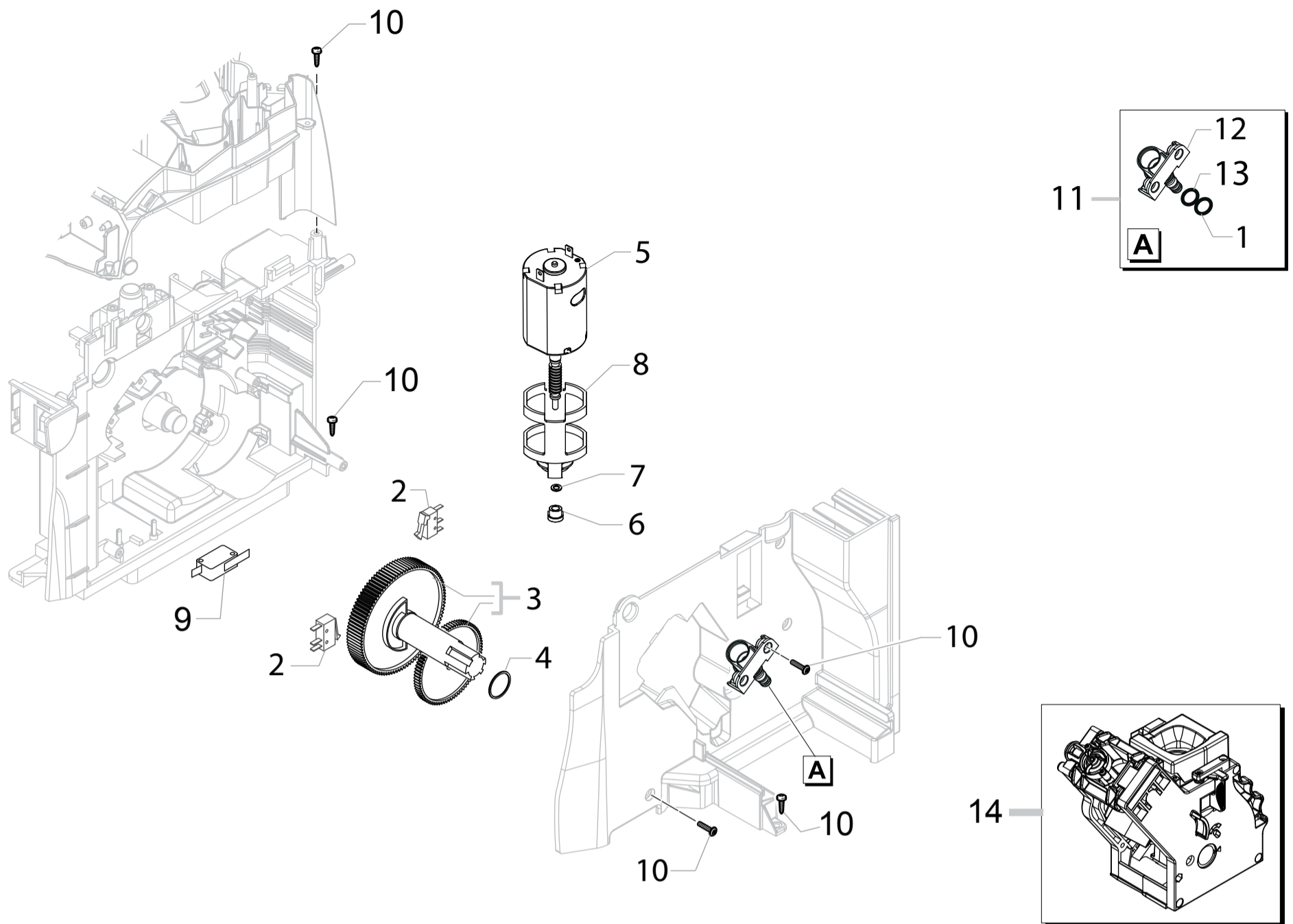
POS	CODE	12NC	DESCRIPTION	NOTE	POS	CODE	12NC	DESCRIPTION	NOTE
01	11010031	996530005586	TEA/ZAMA INCREASE SCREW GRINDER		37	17001921	996530072477	BLK WIRING FIX INSERT FOR GRINDER BOARD	
02		421941085872	COFFEE GRINDER SEAL P119 GRY7035						
03		421941094152	BLK COF.GRINDER UPPER GRINDER SUPPORT V2		11006059	996530003327	GEN.MOTOR COF.GRINDER STD P0057 ASSY	230V	
04	140328960	996530013577	OR ORM 0530-15 NBR FDA		11013028	996530006587	GEN.MOTOR COFF.GRINDER P0057 ASSY.	120V	
05	146520100	996530016342	BAKED CLAY GRINDER 48X28						
06	11012466	996530006412	BRASS BUSH BEAN CONT.FINGER PROTEC.P0057						
07	149198350	996530017952	BLK LOWER COFFEEGRINDER GRINDER SUPPORT						
08	123030300	996530011183	AXIAL BEARING EKKO 342.35252						
09	140360500	996530013597	FELT RING 45,4X39,4X4						
10	11006226	996530003441	BLACK BREW UNIT CONDENSE CONVEYOR P0057						
11	11026355	996530068049	BLK GROUND COFF.OUTLET CONVEYOR V4 ASSY.						
12	11030459	996530072511	GRY GROUND COFFEE CONT.LOWER SEAL SMART1						
13	226000300	996530029609	GEAR SX Z=38 FOR GRINDER MOTION ASSY.						
14	11000513	996530000317	MOTOR COFFEEGRINDER V3.1 ASSY.	230V					
	11000511	996530000315	MOTOR COFFEEGRINDER/V3.1 ASSY	120V					
			HD8645/47-57						
15	149214800	996530018139	MC V3 MOD=1,25 WORM SCREW CENTRING CAP						
16	129661702	996530012992	SCREW TCB TORX 3,5X30 PLAST.ZN-B						
17	11002873	996530001389	INSULATOR BUSH FOR GRINDER MOTOR P124						
18	11000597	996530000376	STEEL COF.GRINDER SUPPORT SPRING P124						
19	11012237	996530006334	BLACK BEAN CONTAIN.FINGER PROTECT.P0057						
		421944048511	TRANSP.BEAN CONTAINER PROTECT.V2 P0057						
			HD8645/47-57						
20	128381902	996530012375	STEEL FLAT WASHER DI=4,3 DE=14 SP=1,5						
21	149199050	996530017963	BLK SENSOR SUPPORT FOR COF.GRINDER MOTOR						
22	11000194	996530000115	BLACK COFFEEGRINDER MOTOR SUPPORT P124						
23	181540900	996530022784	ELECTR.BOARD WITH SENSOR HAL506 SF-K						
24	123030200	996530011182	RADIAL BEARING 61900.2RS1						
25	128381800	996530012374	STEEL CRINKLE WASHER 21,8X14X0,25						
26	142905450	996530015258	BLK UPPER BODY WITH COFFEE GROUND OUTLET						
27	11008871	996530005073	3 POLES CONNECTOR MC SENSOR S0053 UL						
28	11002613	996530001314	LOWER COFFEEGRINDER GEAR SUPPORT P124						
29	11002572	996530001308	COFFEEGRINDER REGULATION SPRING P124						
30	11003784	996530001907	COFFEE GRINDING ADJUSTMENT GEAR P0049						
31	11003446	996530001673	BLACK BEAN COFFEE GRINDER INSERT P0049						
32	11002508	996530001296	UPPER COFFEEGRINDER GEAR SUPPORT P124						
33	129914002	996530013165	SCREW TCB TORX 10 3,5X16 PLAST.ZN-B						
34	129574802	996530012928	SCREW TCB TORX 20 M4X30 ZN-B						
35	U043.004	996530061808	ZN-B TCB SCREW M4X16						
36	128310402	996530012341	GALV.WASHER UNI 8842 A4						

PHILIPS

Saeco

XSMALL VAPORE

TABLE 4/6



PHILIPS

Saeco

HD8644/01 HD8645/01-09
HD8645/47-57
HD8646/01



Cod.882864401870-882864501010-882864509300
Cod.882864547540-882864557540
Cod.882864601870

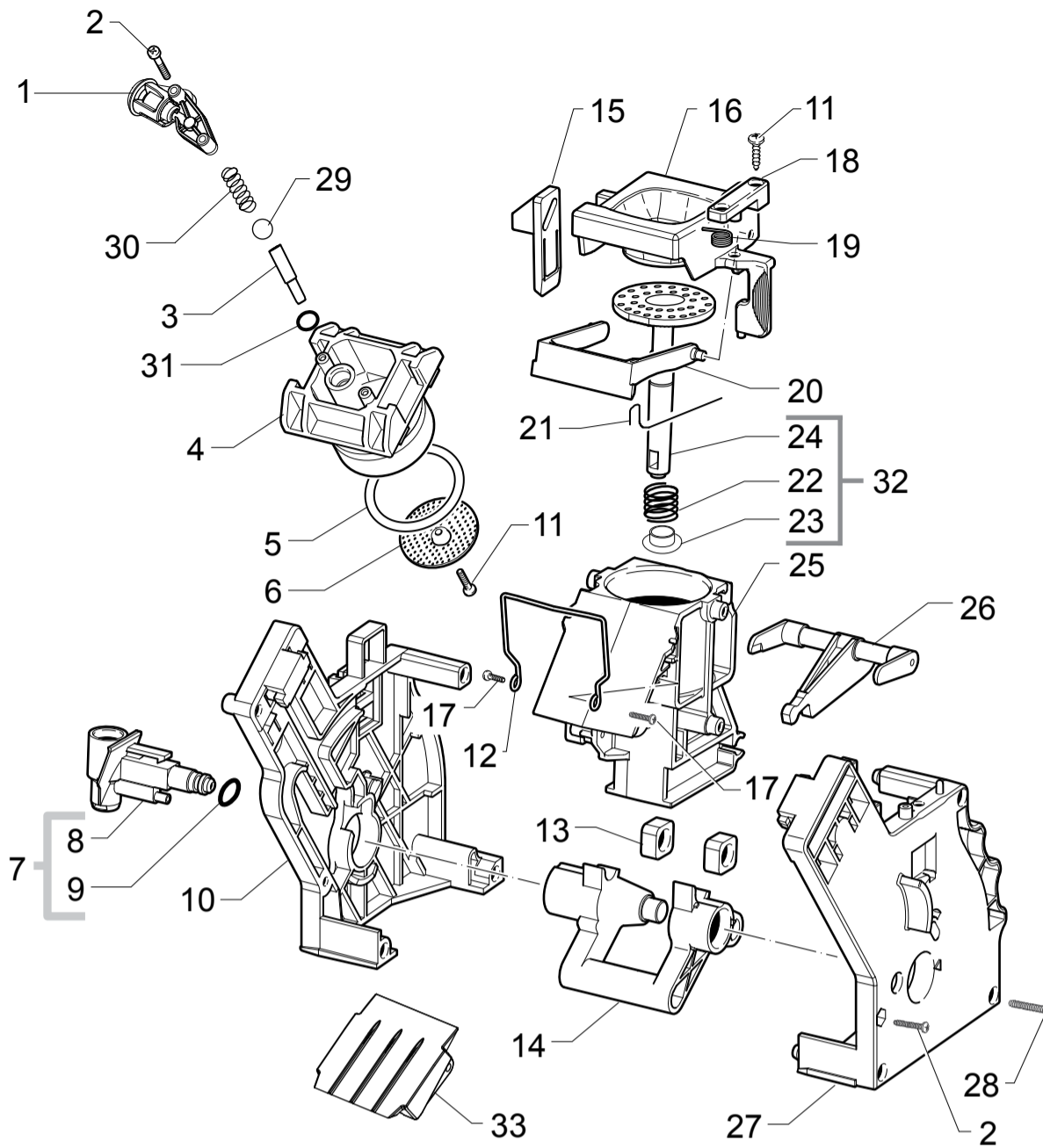
POS	CODE	12NC	DESCRIPTION	NOTE	POS	CODE	12NC	DESCRIPTION	NOTE
01	NM01.057	996530059419	OR ORM 0050-20 IN SILICONE						
02		421946025541	MICROSWITCH XC/SM1 V2						
03	20000900	996530009913	SPARES KIT GEARS FOR RATIOMOTOR V2						
04	9161.132	996530050569	MYLAR WASHER FOR RATIOMOTOR						
05		421941278153	BLK RATIOMOTOR MOUNTING PLATE V3 XSMC AS						
		421944048301	BLK RATIOMOTOR MOUNTING PLATE XSMC UL AS						
			HD8645/47-57						
06	9121.046	996530049898	BRONZE SINTERED BUSH FOR MOTOR RATIOMOT.						
07	148380200	996530017424	BAKELIZZATE WASHER D=5,5						
08	9121.044	996530049896	ANTIVIBRATION FOR MOTOR						
09	12001890	996530073209	MICROSWITCH XG/V3D						
10	12001728	996530070321	SCREW TCBR TORX 10 3,5X12 PLAST.SS						
11		421944060181	PIN FOR FLOW SEL.FAUCET V2 PPS P0057 AS						
12		421944059371	PIN FOR FLOW SELECT.FAUCET PPS V2 P0057						
13	NM01.035	996530059399	OR ORM 0090-20 SILICONE						
14		421944057501	BLK BREW UNIT 8GR.5BAR V3 XS4						

PHILIPS

Saeco

XSMALL VAPORE

TABLE 5/6



PHILIPS

Saeco

HD8644/01 HD8645/01-09
HD8645/47-57
HD8646/01



Cod.882864401870-882864501010-882864509300
Cod.882864547540-882864557540
Cod.882864601870

POS	CODE	12NC	DESCRIPTION	NOTE	POS	CODE	12NC	DESCRIPTION	NOTE
01	11009362	996530005415	BLK COF.OUTLET SLEEVE BREW UNIT S0053 AS						
02	12000550	996530007838	SCREW TCB TORX 10 3X25 PLAST.SS						
03	11009276	996530005372	BLK COUNTER PISTON TUBE BREW UNIT S0053						
04	11001840	996530001046	BLACK COUNTER PISTON BREW UNIT 8GR.P124						
05	NM01.044	996530059406	OR ORM 0320-40 SILICONE PTFE/FDA						
06	9161.268	996530050709	PERCOLATOR DE=35,8 ELFO						
07	20000440	996530009825	BLACK WATER INLET SLEEVE BREW UNIT ASSY.						
08	9161.064.050	996530050488	BLACK WATER INLET SLEEVE BREW UNIT ROYAL						
09	NM02.007	996530059441	OR 2025 IN TERMOIL						
10	9161.375.050	996530050832	BLACK BREW UNIT REAR PLATE SMART						
11	12000895	996530007951	SCREW TSP TORX 10 3X10 PLAST.SS						
12	11001556	996530000898	SS BREW UNIT SPRING H=49 SMART						
13	9161.094.050	996530050539	BLACK BREW UNIT DRILLED BLOCK						
14	9161.066.050	996530050492	BLACK BREW UNIT ELBOW SHAFT M5000						
15	9161.373.050	996530050827	BLACK BREW UNIT COUPLING PLATE SMART						
16	149261350	996530018241	BLACK HOPPER DOSER BREW UNIT SMART1						
17	129912521	996530013148	SCREW TCB TORX 10 3,5X14 PLAST.SS						
18	9161.374.050	996530050829	BLK BREWUNIT HOPPER BLOCKING PLATE SMART						
19	9161.378	996530050838	SS HOPPER SPRING FOR BREW UNIT SMART						
20	11004161	996530002096	BLACK SCRAPER FOR BREW UNIT M5000						
21	9161.046	996530050455	SS SCRAPER SPRING FOR BREW UNIT						
22	9161.198	996530050627	SS.8GR.BREW UNIT PISTON SPRING						
23	9161.191	996530050618	WHITE 8GR.-12GR.BREW UNIT PISTON BUSH						
24	11003077	996530001451	BLK BREW UNIT INTEGRAL PISTON 8GR.ASSY.						
25	11003075	996530001448	BLACK COFFEE CONTAINER BREW UNIT P124						
26	11003078	996530001452	BLACK CONNECTING ROD BREW UNIT 8GR.						
27	11005920	996530003228	BLACK BREW UNIT FRONT PLATE S/SCR.SMART						
28	12000897	996530007953	SCREW TCB TORX 10 3,5X20 PLAST.SS						
29		421944034451	BOROSILICATE SPHERE D.5 MM						
30	11012095	996530006305	SS COFFEE UNIT CONTERPISTON SPRING S0053						
31	140328761	996530013575	OR ORM 0060-15 TERMOIL						
32	11023086	996530007577	BLK 8GR.BREW UNIT NTEGR.PISTON GEN.ASSY.						
33	17000737	996530073426	BLACK BREW UNIT CONVEYOR SLIDE L=56,3						
		421944057501	BLK BREW UNIT 8GR.5BAR V3 XS4						

PHILIPS

Saeco

XSMALL VAPORE

TABLE 6/6